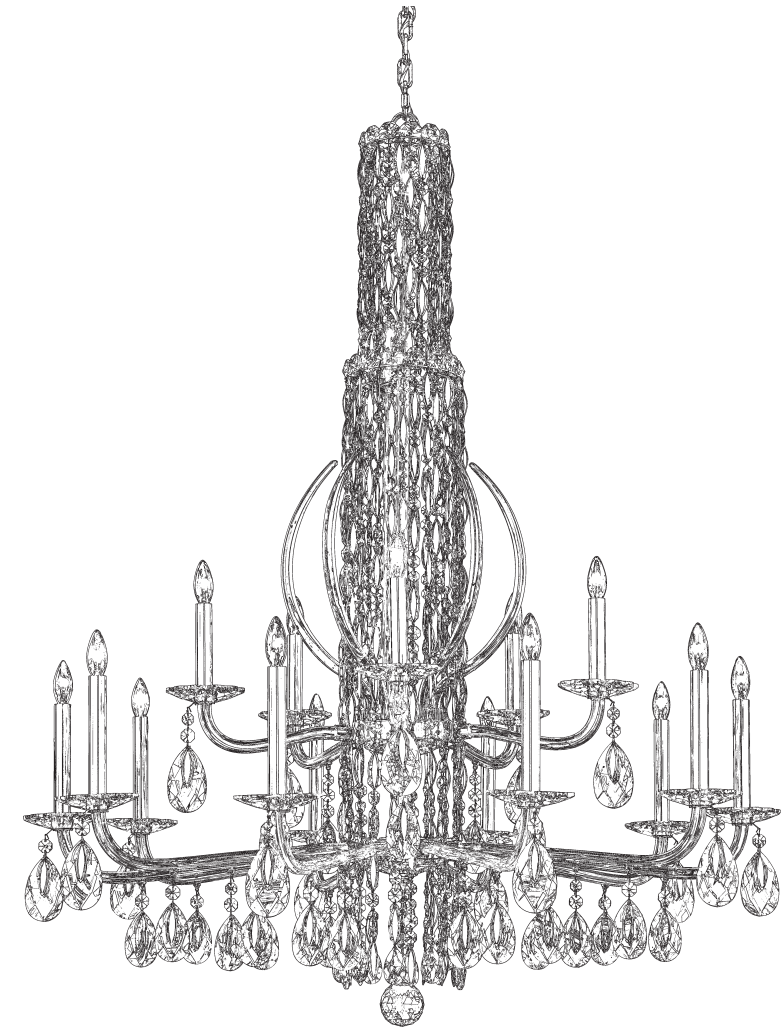




**SCHONBEK®**

**SARELLA RS8415N-\_\_ \_\_A**



15 + 2 Lights  
Diameter: 40-1/2"  
Height: 50-1/2"  
Hanging Weight: 44lbs.

**T**HIS DESIGN IS THE PROPRIETARY  
TRADE DRESS/TRADEMARK OF  
SWAROVSKI LIGHTING, LTD.



**SCHONBEK®**

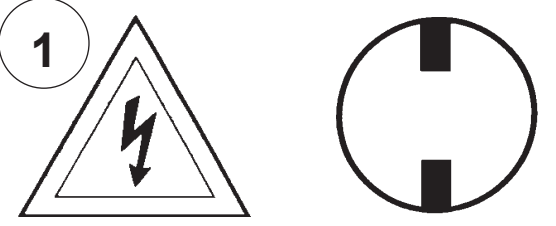


MAX 60 W

110-120 V

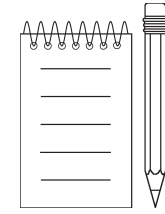
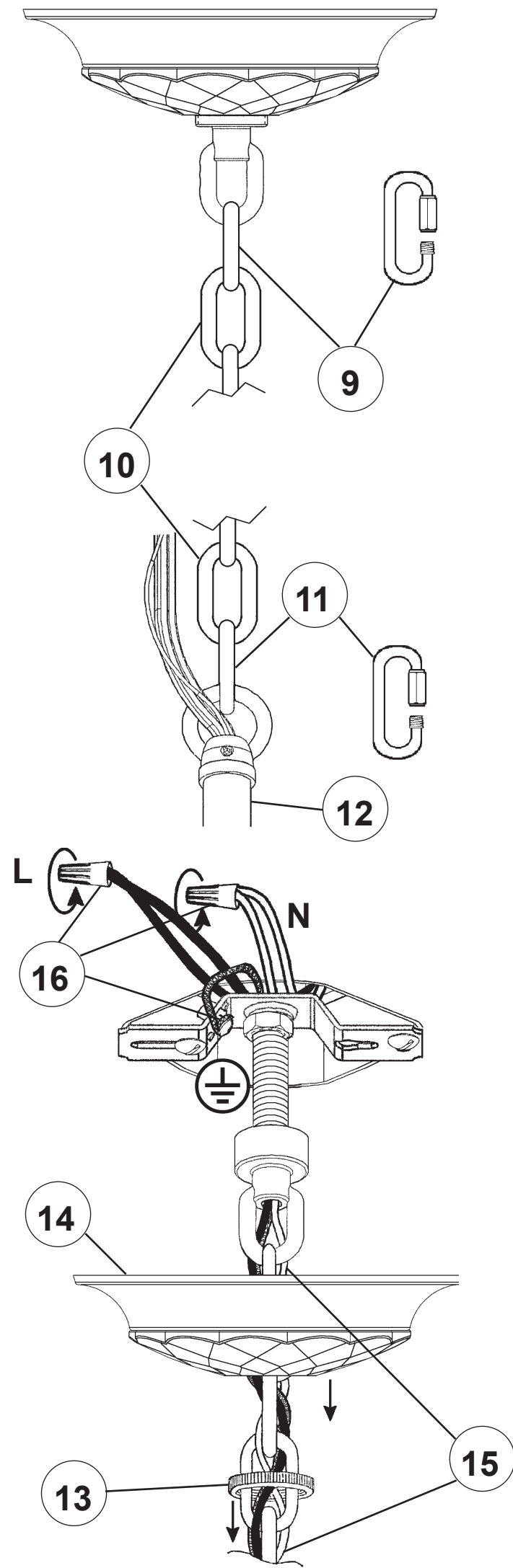
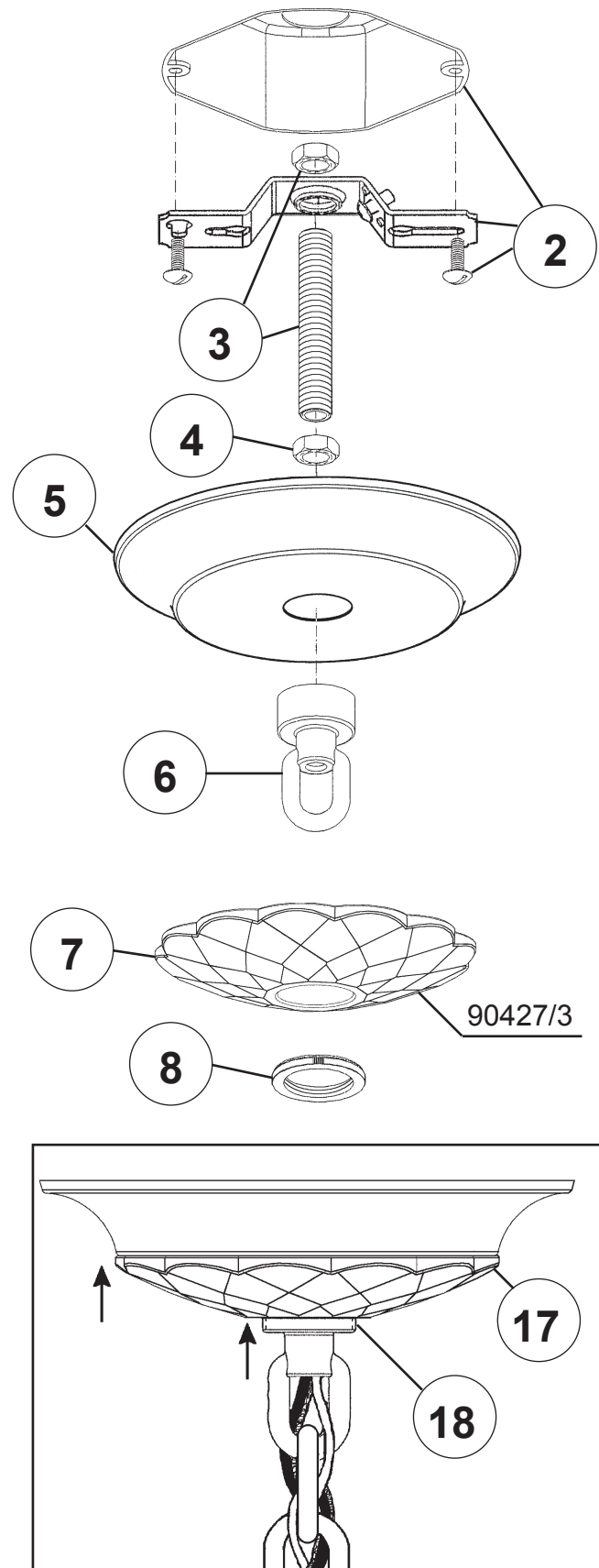
SCHONBEK® is a member of the Swarovski group.

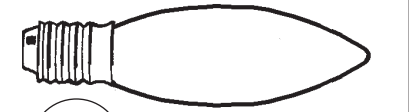
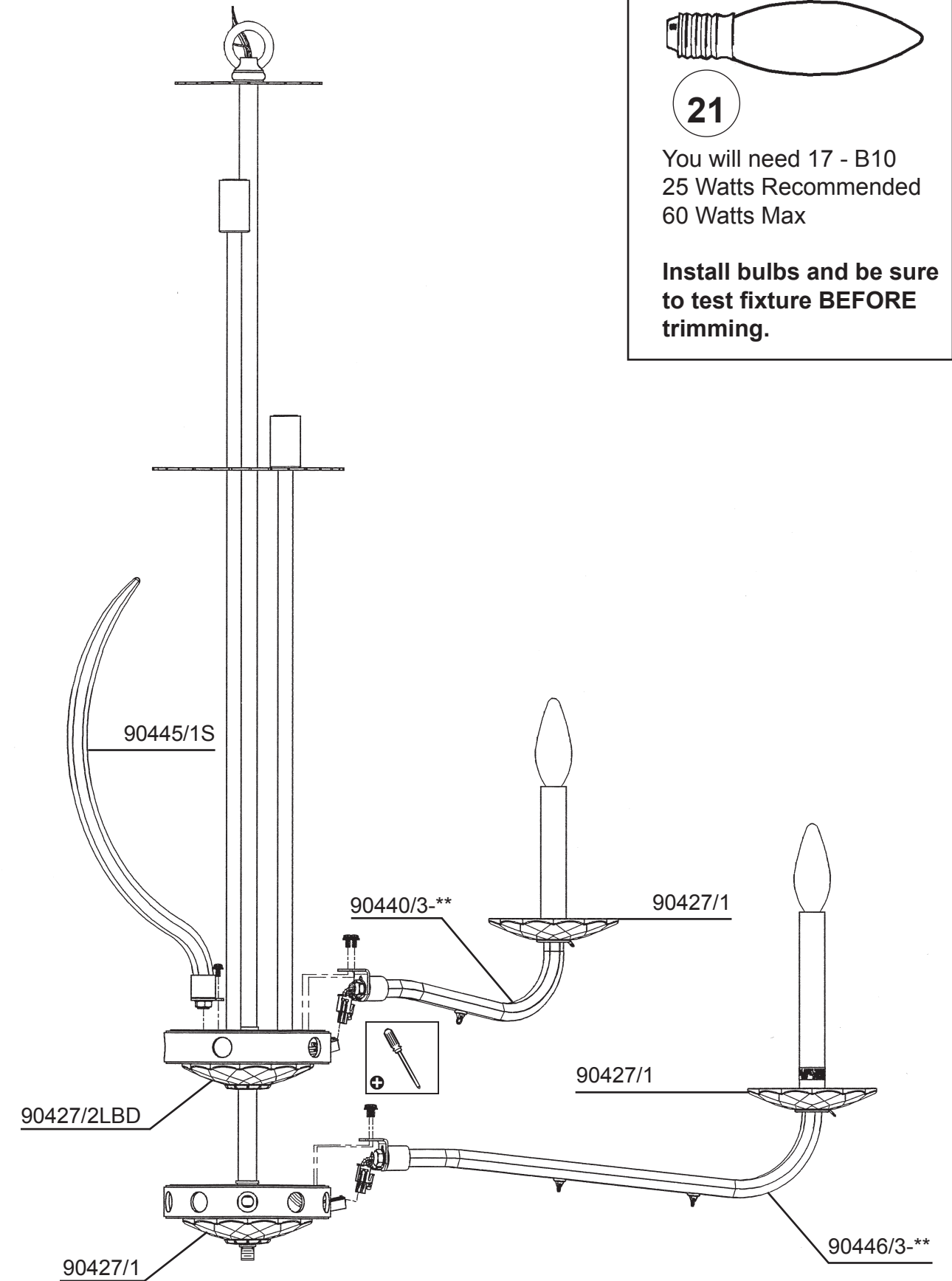
**WARNING:**

1 

**Electrical Danger Turn Power Off**

All electrical components must be installed by a licensed electrician in accordance with the National Electric Code and the appropriate local electrical codes.



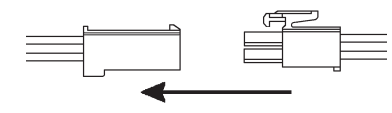


**21**

You will need 17 - B10  
25 Watts Recommended  
60 Watts Max

**Install bulbs and be sure  
to test fixture BEFORE  
trimming.**

**19** Connect arm wires using plug-in connectors. See detailed illustration.



**20** Push wires into hole and attach arm into place by tightening screws.

**21** Install bobecche on every arm and screw bulbs into all sockets and test fixture before trimming. If any of the bulbs do NOT light - DISCONNECT POWER. Double check the wire connections.

**22** Install scroll(s) into hole pattern in washer. Tighten screw to secure scroll(s) in place.

