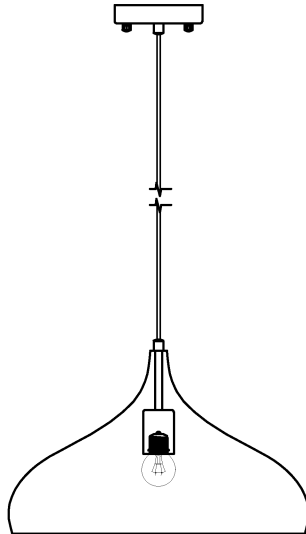


Trade Mark:
CRYSTAL WORLD INC



Product Name: Pendant lamp
Model :9633P16-1-101
120Vac, 60Hz,AC ONLY
Lamp size:Ø16"XH48"

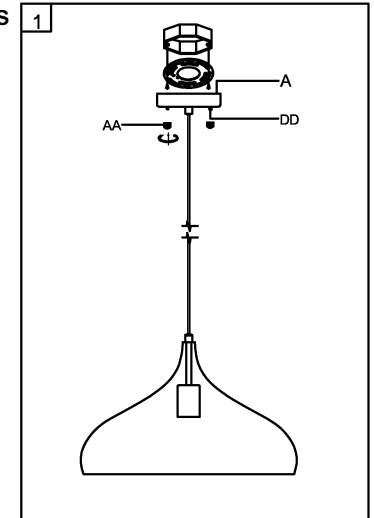



PENDANT LAMP ASSEMBLY INSTRUCTIONS

1. Place fixture(A) onto mounting screws (DD).secure with cap nuts (AA).

Hardware Used

AA Cap nut  X 2
DD Mounting screw  X 2



2. Install light bulbs (not included).
Use bulb  1*100W Max.

