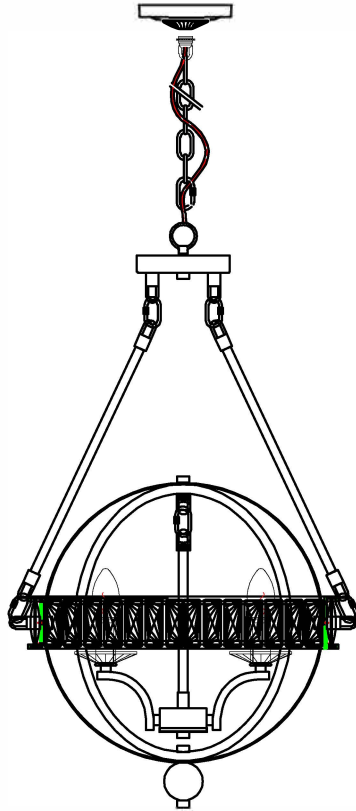


Product Name: Pendant lamp
Model :9745P16-4-601
120Vac, 60Hz,AC ONLY
Lamp Size:ø16H30"**

Trade Mark:
CRYSTAL WORLD INC



PENDANT LAMP ASSEMBLY INSTRUCTIONS

1. Install bulb (NOT INCLUDED). USE 120V E12  4*60W Max.

