



DL-PS-240/24-JBA

LED POWER SUPPLIES
24V DC with Aluminum Enclosure

Type	
Project	
Catalog No.	

FEATURES

- Suitable for damp locations
- Universal AC input / up to 305VAC
- Built-in active PFC
- High efficiency up to 93%
- Short circuit, Overload, Over voltage, Over temperature protection; auto-recovery
- Built-in wiring compartments for easy installation
- EMC Compliant to EN55015, EN55022 (CISPR22) Class B, EN61000-3-2 Class C ($\geq 50\%$ load), EN61000-3-3



SPECIFICATIONS

INPUT

Voltage Range	90 ~ 305VAC
Frequency Range	47 ~ 63Hz
Efficiency	93% typical
Current (Typical)	4A @ 115VAC 2A @ 230VAC 1.2A @ 277VAC
Inrush Current	Cold start typical 75A @ 230VAC

OUTPUT

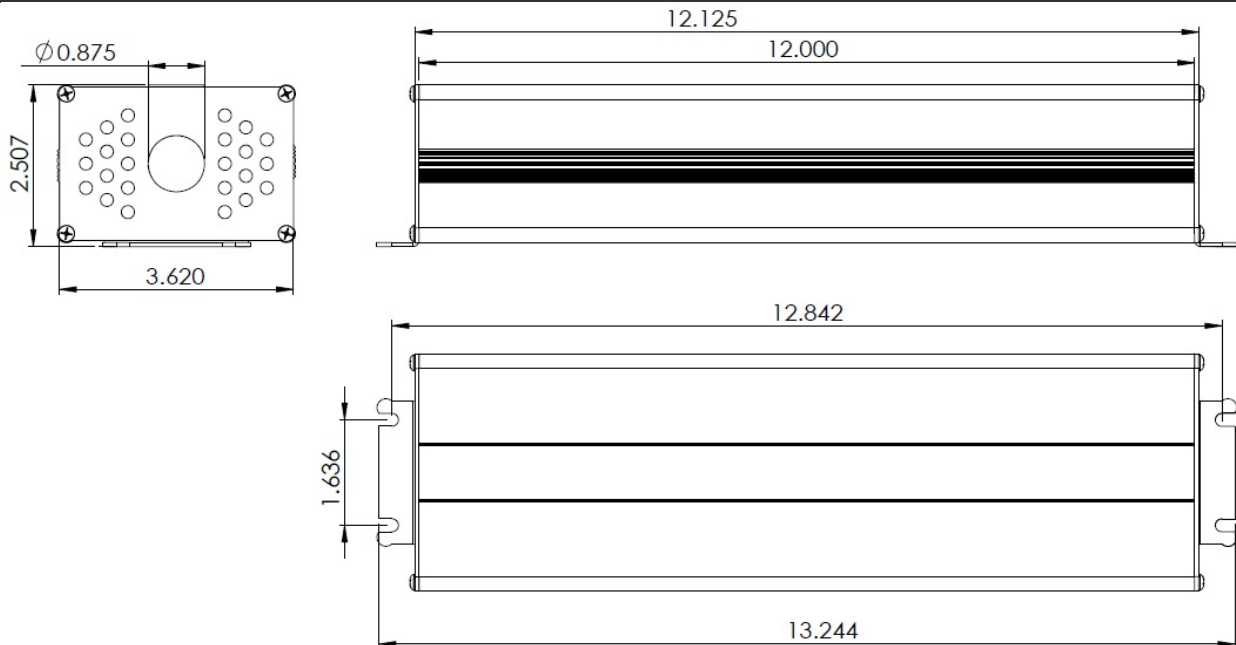
Voltage	24VDC
Rated Power	240W
Rated Current	10A

ENVIRONMENT

MTBF	207.9K hours @ 25°C ambient
Vibration Frequency	10 to 500Hz
Housing	Aluminum
Operating Temperature †	-40°C to 70°C
Humidity (Non-condensing)	10 ~ 95% RH
Environment	Damp
Certifications	UL2108 CSA-C22.2 No. 250.0

† Refer to "Derating Curve"

DIMENSIONS



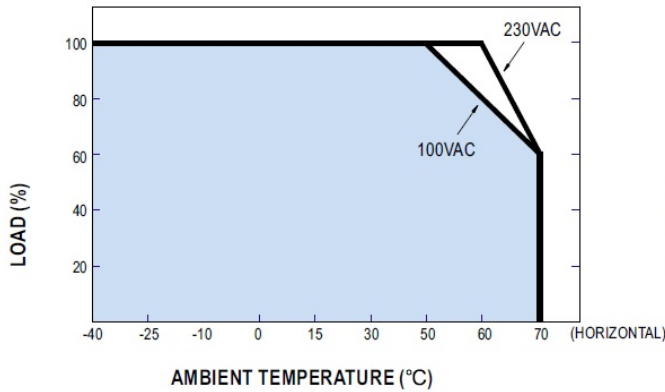


DL-PS-240/24-JBA

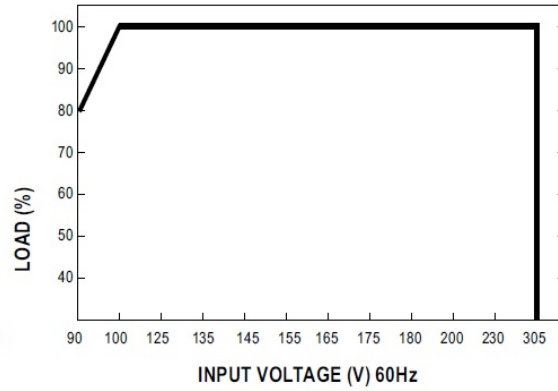
LED POWER SUPPLIES
24V DC with Aluminum Enclosure

Type	
Project	
Catalog No.	

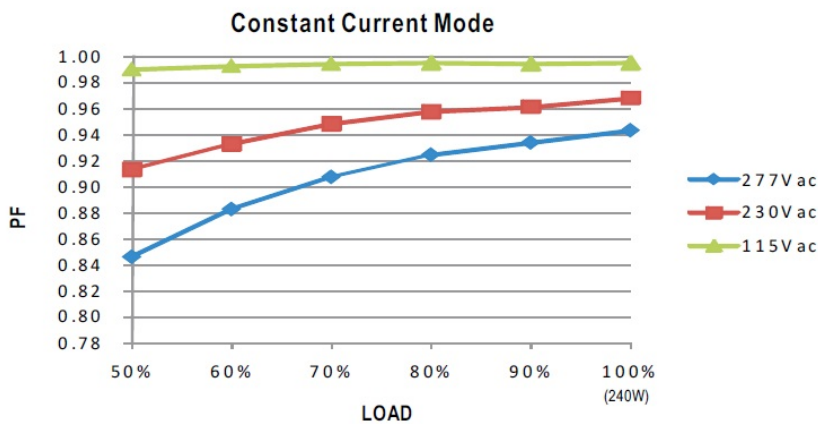
Derating Curve



Static Characteristics



Power Factor Characteristic



EFFICIENCY vs LOAD

