

SPECTRA, 15" CEILING MOUNT



PRODUCT DETAILS

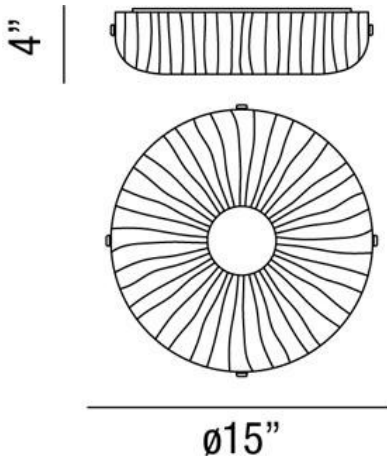
No.	:	25691-016
Product Color	:	CHROME
Product Material	:	METAL
Shade / Accent Colour	:	CLEAR
Shade / Accent Material	:	FRACCO GLASS
Diameter	:	15"
Height	:	4"
Weight	:	12.1lbs

LIGHT SOURCE DETAILS


Number of Bulbs	:	4
Light Source	:	Incandescent
Light Source Type	:	B10
Input Voltage	:	120V
Bulb Voltage	:	120V
Socket Type	:	E12
Wattage	:	60W
Total Wattage	:	240W
Bulb Included	:	No
Dimmable	:	Yes

Options Available

ITEM NO.	FINISH	SHADE
25691-016	CHROME	CLEAR



TECHNICAL DETAILS

Canopy / Backplate Height	:	0.8"
Canopy / Backplate Dia.	:	13"
Adjustable Lamp Head	:	No
Location	:	DRY
Approval	:	

PROJECT INFORMATION

 Job Name: Date: Type:

 Comments: