



# CAL LIGHTING

3625 E. Philadelphia St. Ontario CA. 91761 • Tel: 909.947.5200 • Fax:  
909.947.5673 • www.calighting.com • service@calighting.com •  
Specifications subject to change without notice

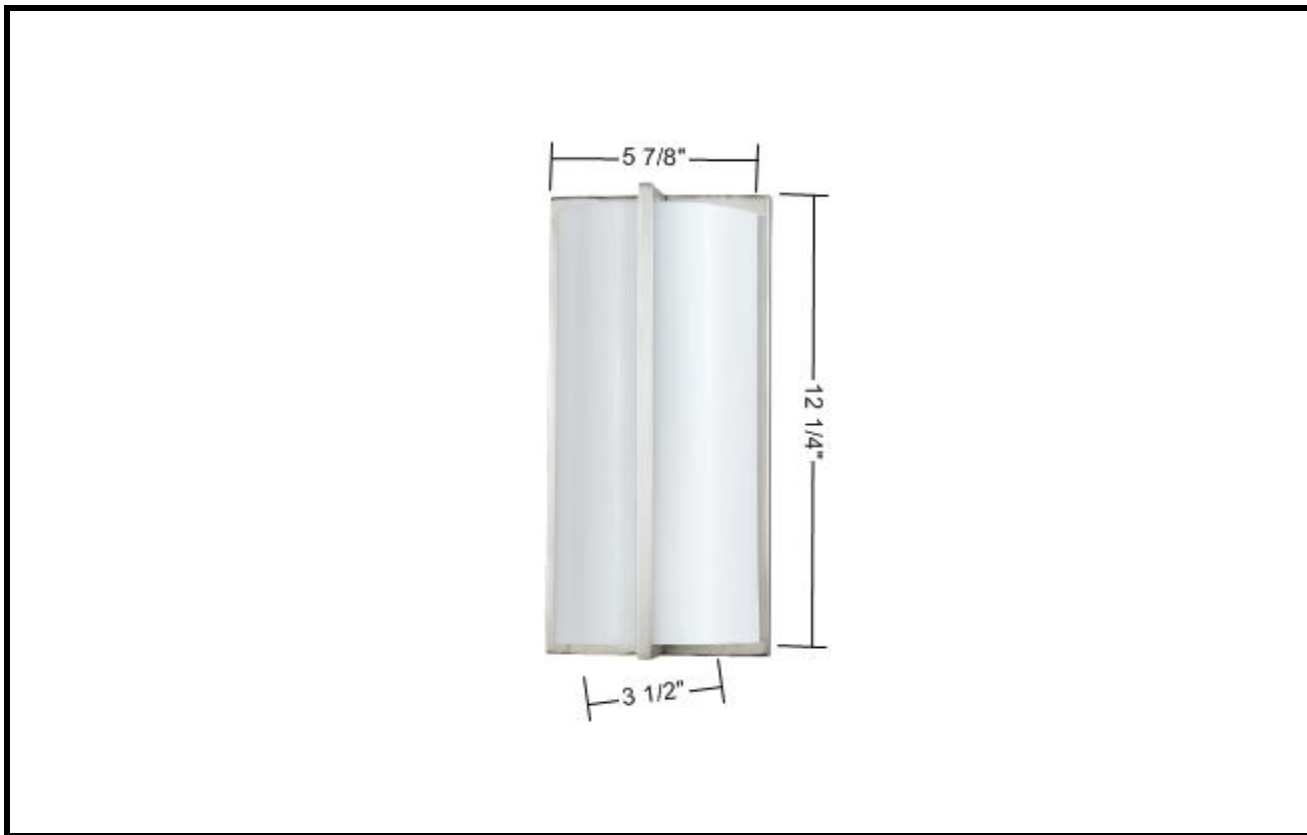
Type: \_\_\_\_\_

Project: \_\_\_\_\_

Catalog No.: \_\_\_\_\_

Lamp/Wattage: \_\_\_\_\_

## Drawing:



**Model No:** LA-177  
**Description:** 18W PLC Acrylic Wall Lamp with Bulb Steel  
**Material:** Metal/Acrylic  
**Finish :** Rust  
**Height:** 12 1/4"  
**Width:** 5 7/8"  
**Depth:** 3 1/2"  
**Wattage :** PLC 18W  
**Shade size:**  
**Shade Material:** Acrylic

**Certificate :**

