

INSTALLATION INSTRUCTION

ELIPSE - NEW CONSTRUCTION/REMODEL

R2BRDT



SAFETY INSTRUCTION

IMPORTANT: NEVER attempt any work without shutting off the electricity.

- Read all instructions before installing.
- System is intended for installation by a qualified electrician in accordance with the National Electrical Code and local regulations.
- Go to the main fuse box, or circuit breaker. Place the main power switch in the "OFF" position and unscrew the fuse(s) or switch "OFF" the circuit breaker switch(es) that control the power to the fixture or room that you are working on.
- Place the wall switch in the "OFF" position.

AVERTISSEMENT:

IMPORTANT: Coupez l'électricité avant TOUTE manipulation.

- Lisez toutes les instructions avant d'installer.
- Système est destiné à être installé par un électricien qualifié en conformité avec le code national de l'électricité et les règlements locaux.
- Accédez au panneau central de disjoncteurs ou de fusibles de votre demeure et placez l'interrupteur principal en position d'arrêt (« OFF »).
- Placez l'interrupteur mural en position d'arrêt (« OFF »).

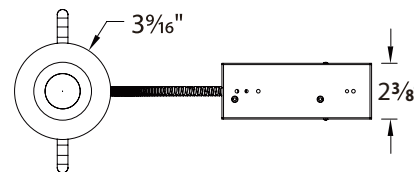
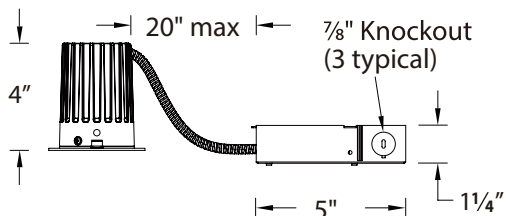
CAUTION:

All parts must be used as indicated in these instructions. Do not substitute any parts, leave parts out, or use any parts that are worn out or broken. Failure to follow could invalidate the ETL/cETL listing of this fixture.

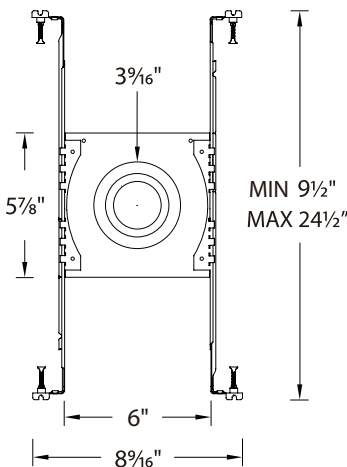
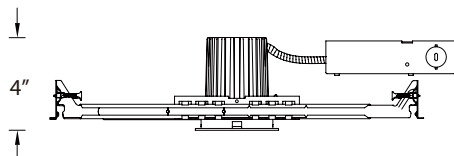
OVERVIEW:

Housing is new construction Airtight IC or remodel Airtight IC (Refer to table below). Housing requires a trim for finished look. Refer to specification sheets for compatible trim options.

REMODEL OVERALL DIMENSIONS



NEW CONSTRUCTION OVERALL DIMENSIONS



HARDWARE



Wire Connector
Qty: 3 PCS+1 Extra

wacighting.com
Phone (800) 526.2588
Fax (800) 526.2585

Headquarters, East Manufacturing Facility
44 Harbor Park Drive
Port Washington, NY 11050

South East Manufacturing Facility
1600 Distribution Ct
Lithia Springs, GA 30122

Central Manufacturing Facility
1700 South J Elmer Freeway, Ste 100
Cedar Hill, TX 75104

West Manufacturing Facility
1750 S Archibald Ave
Ontario, CA 91761

INSTALLATION INSTRUCTION

ELIPSE - NEW CONSTRUCTION/REMODEL

R2BRDT



REMODEL INSTALLATION

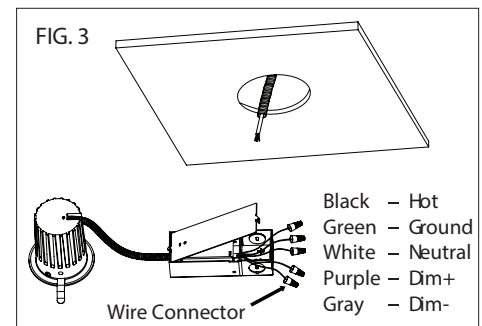
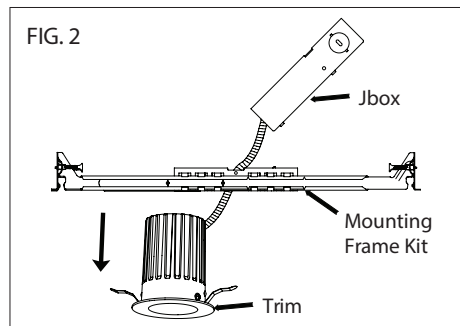
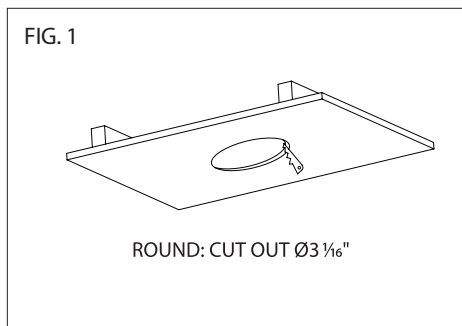
1. At the point of installation, cut a $\text{Ø}3 \frac{1}{16}$ " round hole (See **FIG. 1**). Ceiling thickness range is $\frac{1}{2}$ " to 1".
2. Take out fixture from packaging box. Remove trim and junction box assembly from mounting frame kit (See **FIG. 2**). The mounting frame kit can be discarded (only used in new construction applications).
3. Pull building supply wires through ceiling cutout and open fixture junction box door. Remove desired housing knockout and feed building wires into housing using appropriate connector.
4. Connect fixture wires to building wires:

Connect each supply wire with appropriate junction box wire connector (See **FIG. 3**).

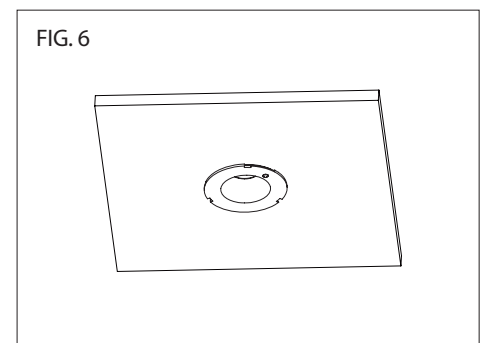
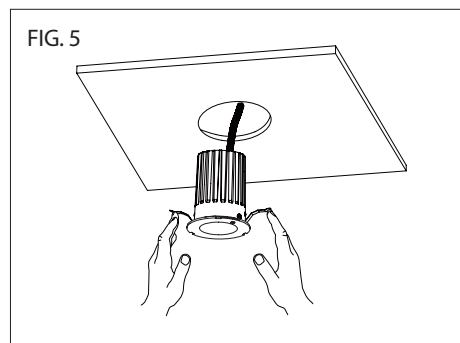
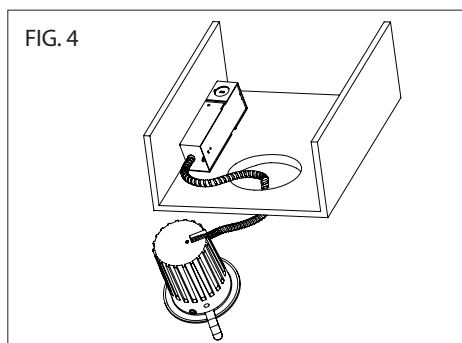
For ELV or TRIAC dimming, wire black (line hot), white (line neutral) and green (ground) in accordance to dimmer specifications.

For 0-10V dimming, wire purple (dim+), gray (dim-), black (line hot), white (line neutral) and green (ground) in accordance to dimmer specifications.

When not using a dimmer, connect black fixture wire to hot, white fixture wire to neutral and green fixture wire to ground. Leave all other wires capped individually.



5. Place all wiring and connectors back in junction box and replace the junction box cover.
6. Guide junction box through the cut hole and secure appropriately (See **FIG. 4**).
7. Fold trim assembly mounting springs inward and insert trim assembly into ceiling cutout. Be sure once installed, trim assembly is flush and secure (See **FIG. 5 & 6**).
8. Install the decorative diffuser (See page 4).



wacighting.com

Phone (800) 526.2588

Fax (800) 526.2585

Headquarters, East Manufacturing Facility

44 Harbor Park Drive

Port Washington, NY 11050

South East Manufacturing Facility

1600 Distribution Ct

Lithia Springs, GA 30122

Central Manufacturing Facility

1700 South J Elmer Freeway, Ste 100

Cedar Hill, TX 75104

West Manufacturing Facility

1750 S Archibald Ave

Ontario, CA 91761

INSTALLATION INSTRUCTION

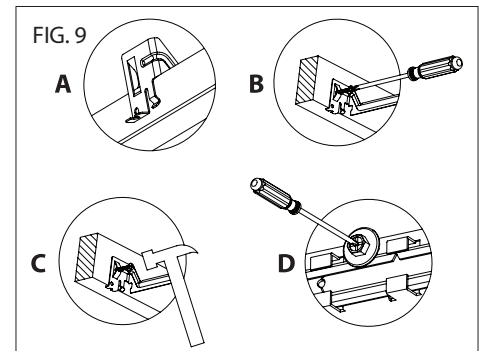
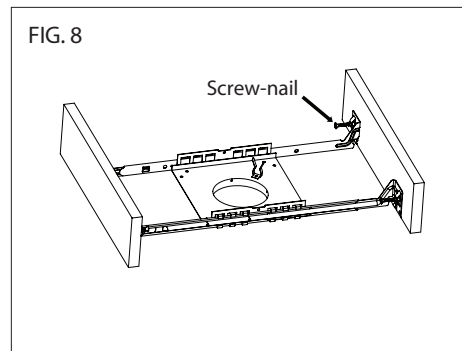
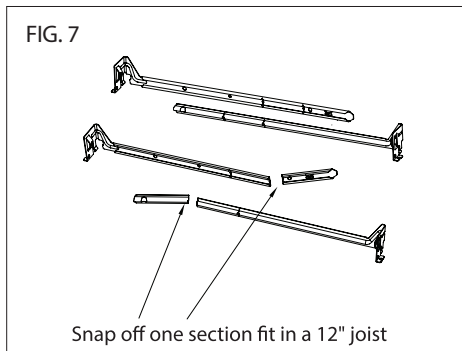
ELIPSE - NEW CONSTRUCTION/REMODEL

R2BRDT

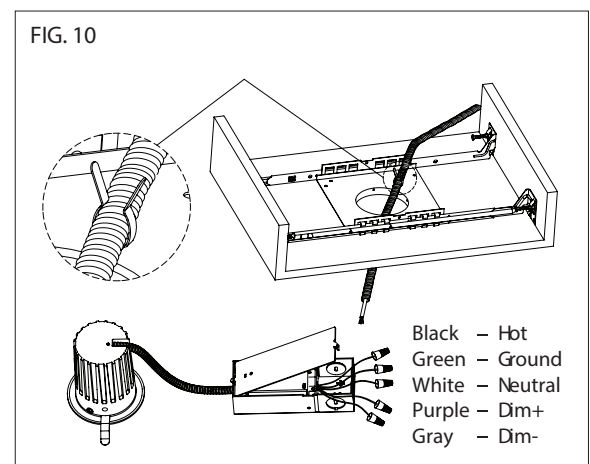


NEW CONSTRUCTION INSTALLATION

1. Install mounting frame using two hanger bars (24 1/2" max). To shorten hanger bars to fit narrower applications, snap off one section of the hanger bars (See **FIG. 7**).
2. For installation between wood joists, hanger bars include a captive mounting "screw-nail" for ease of installation (See **FIG. 8**). Align the bottom of the hanger bar with the bottom of the wood joist. Secure the "screw-nail" on each end by screwdriver (See **FIG. 9B**), For suspended ceiling applications, hanger bars are notched on the ends to fit over ceiling "T" bars (See **FIG. 9A**).
3. Slide fixture along bar hangers into desired location. Use locking screws to secure (See **FIG. 9D**).
4. Cut a 3 1/16" diameter hole in the ceiling at the point of installation and install ceiling (See **FIG. 1**).
5. Pull building supply wires through ceiling cutout and open fixture junction box door. Remove desired housing knockout and feed building wires into housing using appropriate connector.



7. Connect fixture wires to building wires (See **FIG. 10**):
 Connect each supply wire with appropriate junction box connector. This fixture features electronic low voltage (ELV) or TRIAC or 0-10V dimming capabilities.
 For ELV or TRIAC dimming, wire black (line hot), white (line neutral) and green (ground) in accordance to dimmer specifications.
 For 0-10V dimming, wire purple (dim+), gray (dim-), black (line hot), white (line neutral) and green (ground) in accordance to dimmer specifications.
 When not using a dimmer, connect black fixture wire to hot, white fixture wire to neutral and green fixture wire to ground. Leave all other wires capped individually.
8. Place all wiring and connectors back in junction box and replace the junction box cover.
9. Guide junction box through the ceiling opening and secure appropriately.
10. Fold trim assembly mounting springs inward and insert trim assembly into ceiling cutout. Be sure once installed, trim assembly is flush and secure (See **FIG. 5 & 6**).
11. Install decorative diffuser (See page 4).

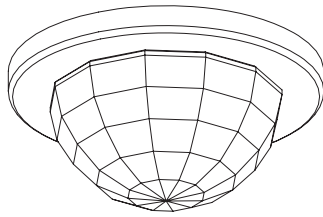
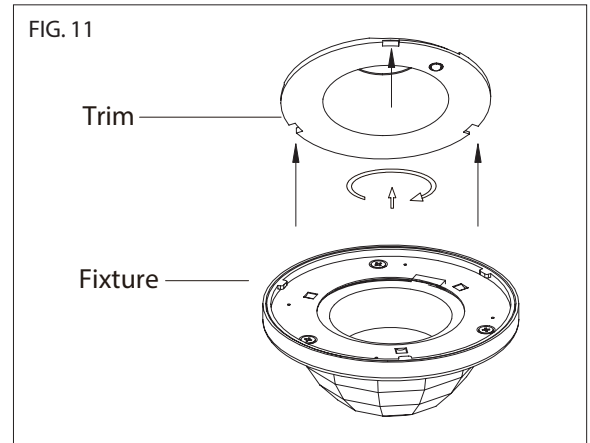


INSTALLATION INSTRUCTION
ELIPSE - NEW CONSTRUCTION/REMODEL
R2BRDT

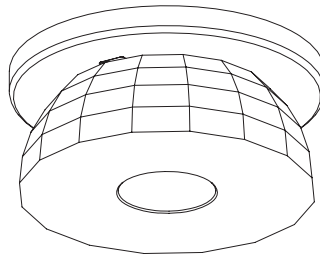


INSTALL DECORATIVE DIFFUSER

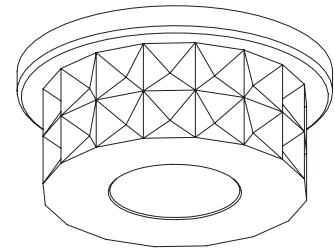
1. Clean the diffuser prior to assembly.
2. Align back of diffuser with notches on the trim assembly. Press the diffuser in and rotate clockwise until it comes to a stop. (See FIG. 11).



R2BR-01-F9CS-CLCH
Elipse Nova



R2BR-02-F9CS-CLCH
Elipse Lotus



R2BR-03-F9CS-CLCH
Elipse Ikon