

# INSTALLATION INSTRUCTION

## 308- LED Wall Sconce

WS-30835

# MODERN FORMS

**CAUTION: To prevent electrical shock, ensure electricity has been turned off at the circuit breaker before beginning.**

- Read all instructions before installing.
- System is intended for installation by a licensed electrician in accordance with the National Electrical Code (NEC) and local regulations.
- When handling the fixture, do not apply pressure to the LEDs. Hold the fixture by the base only.
- Retain installation instructions for future maintenance reference.

**WARNING:** All parts must be used as indicated in these instructions. This product is designed for use only with the supplied parts and/or accessories designated for use by Modern Forms. Substitution of parts or accessories not designated for use with this product by Modern Forms could result in personal injury or property damage, and will void the warranty. Contact an authorized dealer or the manufacturer if any parts are damaged or missing.

**MAINTENANCE NOTE:** Coastal conditions may cause mineral and residue build-up on the fixture. We recommend that customers in coastal areas clean all external surfaces of the fixture once every two weeks with a wet cloth.

**MISE EN GARDE:** Pour éviter tout choc électrique, assurez-vous que le disjoncteur soit mis hors tension avant de commencer.

- Lisez toutes les instructions avant l'installation.
- Le système doit être installé par un électricien licencié conformément au code national de l'électricité (NEC), et également aux règlements locaux.
- Lors de la manipulation du luminaire, n'appuyez pas sur les LED. Tenez-le uniquement par la base.

**ATTENTION:** Toutes les pièces doivent être utilisées comme indiqué dans ces instructions. Ce produit est conçu pour être utilisé seulement avec les pièces et/ou accessoires fournis pour être utilisés avec les produits Modern Forms. Remplacer des pièces ou accessoires non conçus pour ce produit Modern Forms pourrait causer des dommages corporels ou matériels et pourrait également causer l'annulation de la garantie. Veuillez contacter un revendeur autorisé ou le fabricant si des pièces manquent ou sont endommagées.

**NOTE D'ENTRETIEN:** Les conditions côtières peut causer une accumulation de minéraux et de résidus sur le luminaire. Nous recommandons aux clients qui résident dans les zones côtières de nettoyer toutes les surfaces externes du luminaire une fois toutes les deux semaines avec un chiffon humide.

### HARDWARE

A



Wire Connector  
Qty: 3pcs+1 Extra  
7EAC112201

B



Junction Box Screw  
Qty: 2pcs+1 Extra  
7MPF0415C2  
#8-32x9/16 SS

C



Mounting Screw  
Qty: 1 Extra  
4MPF0412S2BB1(BB)  
5/32"-32X1/2  
Burnished Brass

D



Allen Screw  
Qty: 8pcs+1 Extra  
7MPF0408K2  
5/32"-32X5/16  
Nickle Plating

E



Allen Wrench  
Qty: 1pc  
7MPE205001  
Nickle Plating

F



Plastic Anchor  
Qty: 2pcs+1 Extra  
7TDD082401

G



Wood Screw  
Qty: 2pcs+1 Extra  
7MPF2204J2  
Φ4X22

H



Driver  
Qty: 1pc  
LD-500MA20U-IS-P

modernforms.com  
Phone (800) 526.2588  
Fax (800) 526.2585

Headquarters/Eastern Distribution Center  
44 Harbor Park Drive  
Port Washington, NY 11050

Central Distribution Center  
1600 Distribution Ct  
Lithia Springs, GA 30122

Western Distribution Center  
1750 Archibald Avenue  
Ontario, CA 91760



# INSTALLATION INSTRUCTION

## 308- LED Wall Sconce

WS-30835

# MODERN FORMS

### PREPARATION

1. Shut off the power at the circuit breaker and remove existing fixture, including the crossbar.
2. Carefully unpack your new fixture and lay out all the parts on a clear area. Be careful not to lose any small parts necessary for installation.

### CONNECTING THE WIRES (Fig. 2)

3. Remove the mounting screw (C) from the mounting back plate.
4. Drill holes in the wall aligned with the key holes located in the mounting back plate, insert the plastic anchors (F).
5. Connect the Driver's (H) input wires to junction box wires as shown in Fig. 2, making sure that all wire connectors (A) are secured. If your outlet box has a green or bare copper ground wire, connect the fixture's ground wire directly to the back plate using the green screw provided. After wires are connected, tuck them carefully inside the junction box.

**\* Requires Driver (H) to be recessed within the junction box**

### MOUNTING THE FIXTURE (Fig. 1)

6. Secure the mounting back plate to the junction box using junction box screws (B), fasten it to the wall using wood screw (G). The side of the mounting back plate marked "GND" must face out.
7. Connect the driver's (H) output wires to the fixture by Female/Male end connector as shown in Fig.2.
8. Hook the safety cord to the mounting back plate.
9. Secure the fixture to the mounting back plate using the mounting screw (C).
10. Insert the crystal into the fixture, secure it with Allen screw (E) using Allen wrench (F).

Fig.1

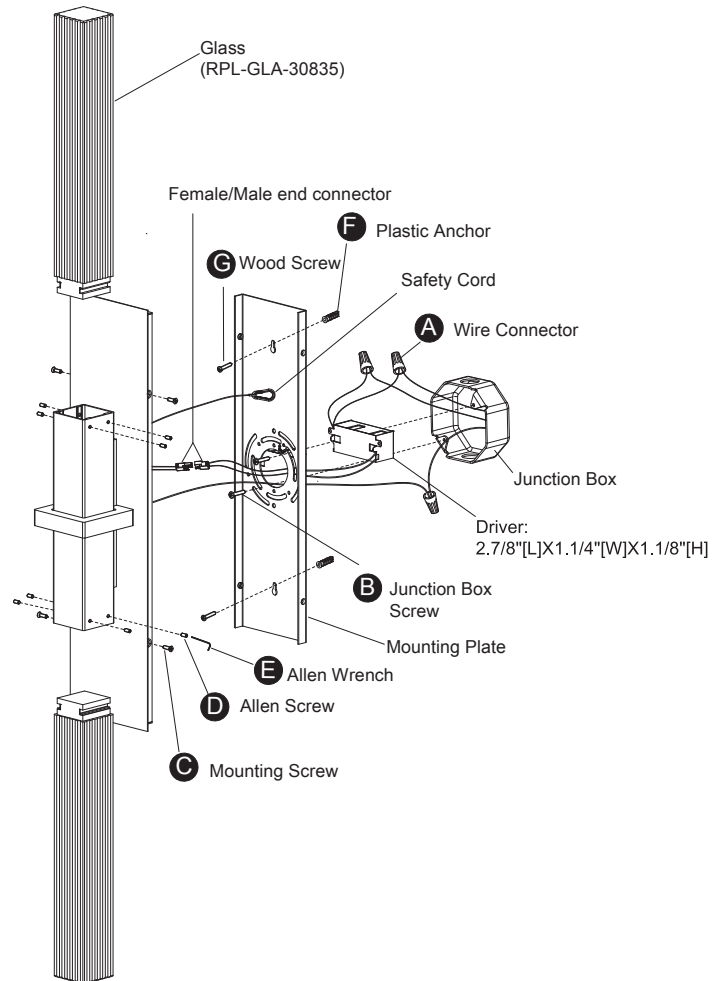
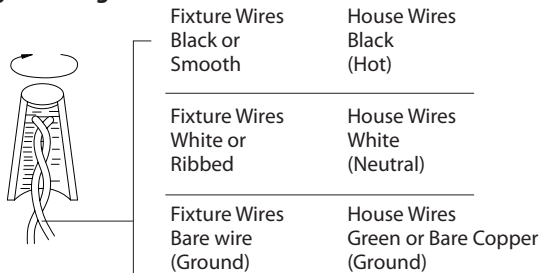
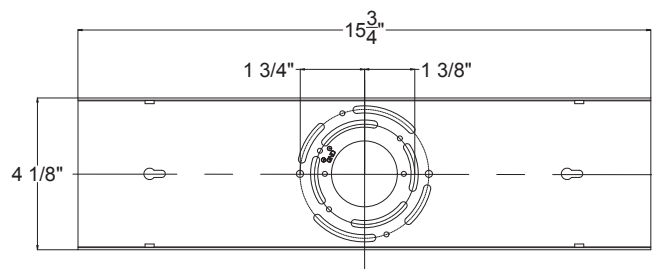


Fig. 2 Wiring



Back Plate Dimensions



7MBC401003

modernforms.com  
Phone (800) 526.2588  
Fax (800) 526.2585

Headquarters/Eastern Distribution Center  
44 Harbor Park Drive  
Port Washington, NY 11050

Central Distribution Center  
1600 Distribution Ct  
Lithia Springs, GA 30122

Western Distribution Center  
1750 Archibald Avenue  
Ontario, CA 91760

