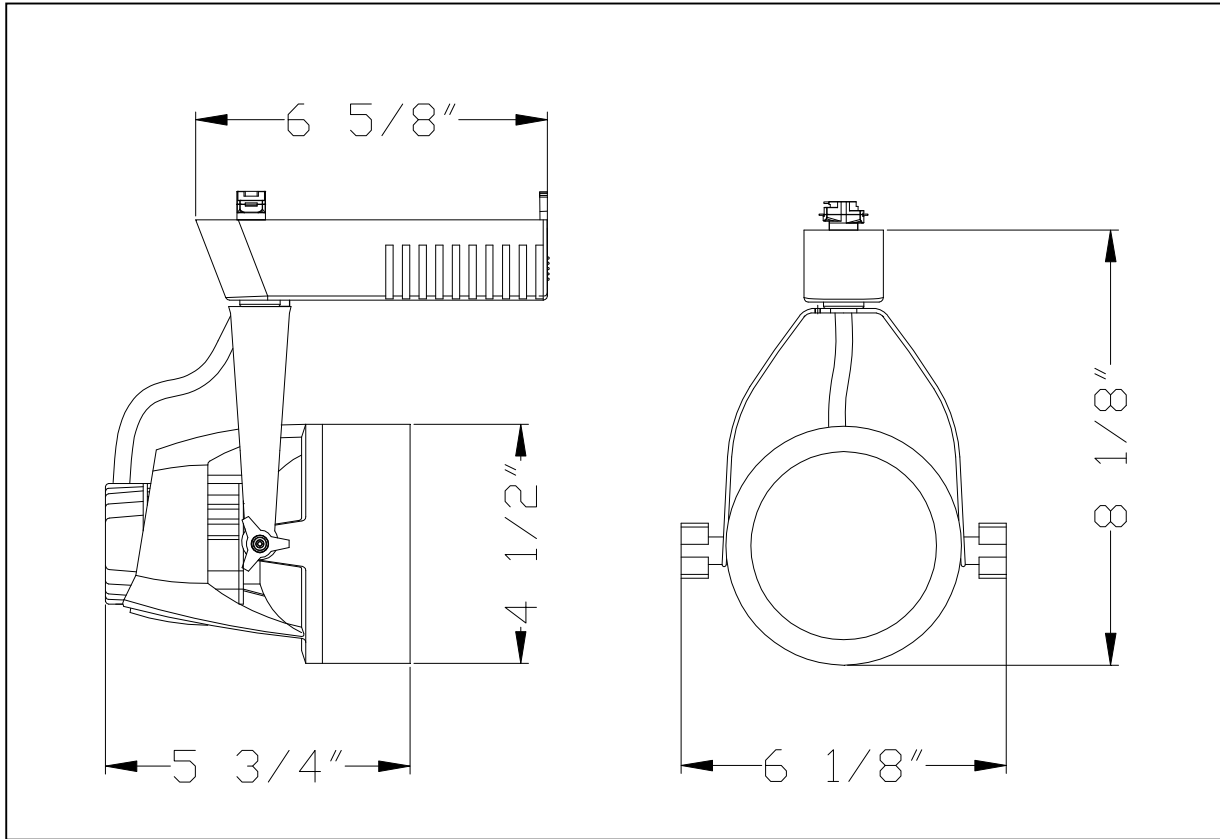




CAL LIGHTING

3625 E. Philadelphia St. Ontario CA. 91761 • Tel: 909.947.5200 • Fax:
909.947.5673 • www.calighting.com • service@calighting.com •
Specifications subject to change without notice

Type: _____
Project: _____
Catalog No.: _____
Lamp/Wattage: _____



Model No. : HT-961/39W

Rotation : 355 degree

Capability : + 90 degree from horizontal


Bulb : HID T6 39W

Socket : T6

Voltage : 120V

Wattage : 39W Max.

Finish : BK (black), PWH

Certificate : c  us