



CAL LIGHTING

3625 E. Philadelphia St. Ontario CA. 91761 • Tel: 909.947.5200 • Fax:
909.947.5673 • www.calighting.com • service@calighting.com •
Specifications subject to change without notice

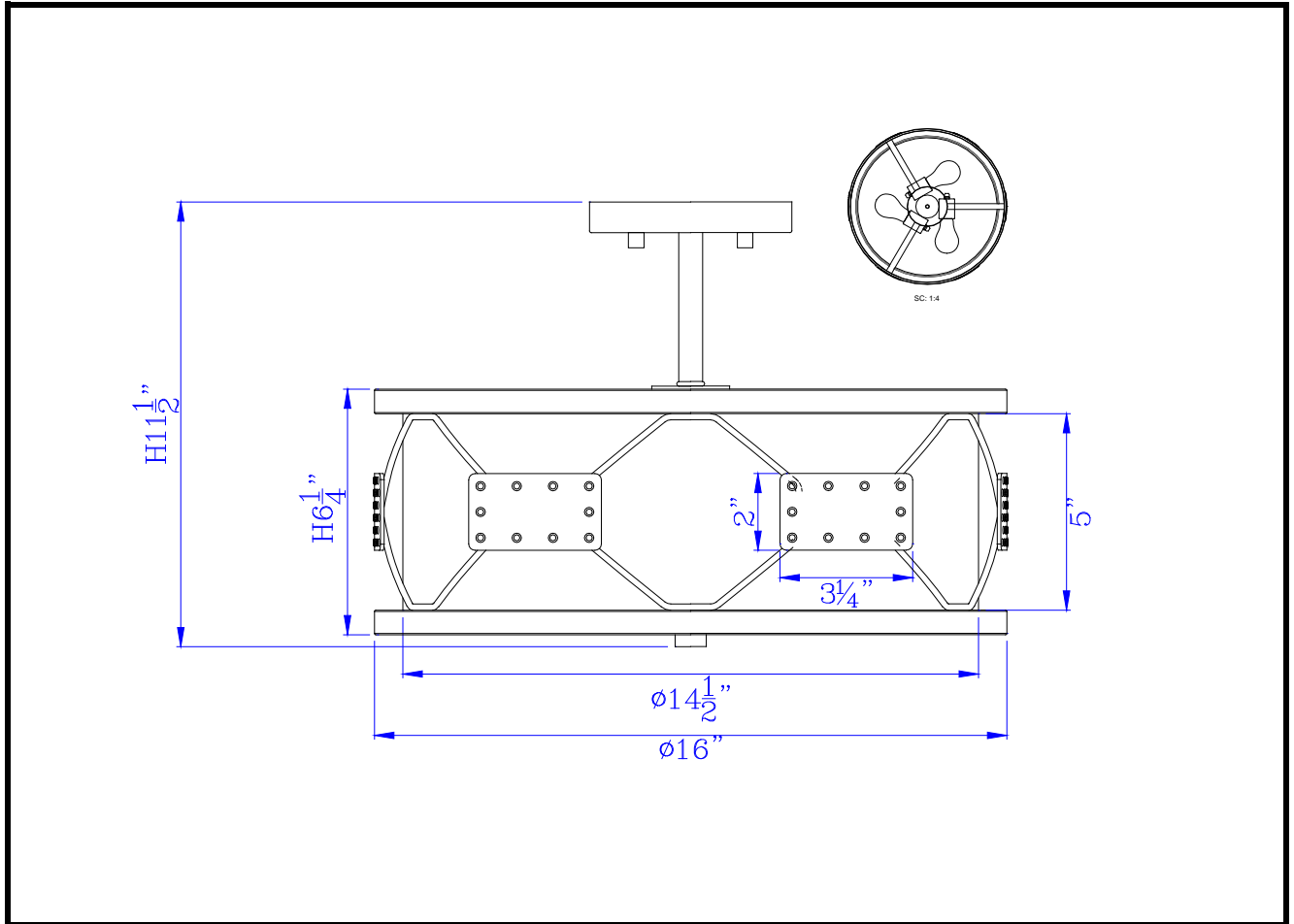
Type: _____

Project: _____

Catalog No.: _____

Lamp/Wattage: _____

Drawing:



Model No: FX-3681-3
Description: 60W x 3 Ragusa metal 2 in 1 pendant/semi flush mount fixture with burlap shade
Material: Metal
Finish : Rust
Height: 11 1/2"
Width: 16"
Wattage : 60Wx3
Socket : Medium Base (E26)
Bulb: Incandescent
Chain Length: 6'
Wire Length: 10"
Wire Color: Brown
Shade No: None
Material: Burlap
Shade size: 14 1/2"x14 1/2"x5"

Certificate : 