



CAL LIGHTING

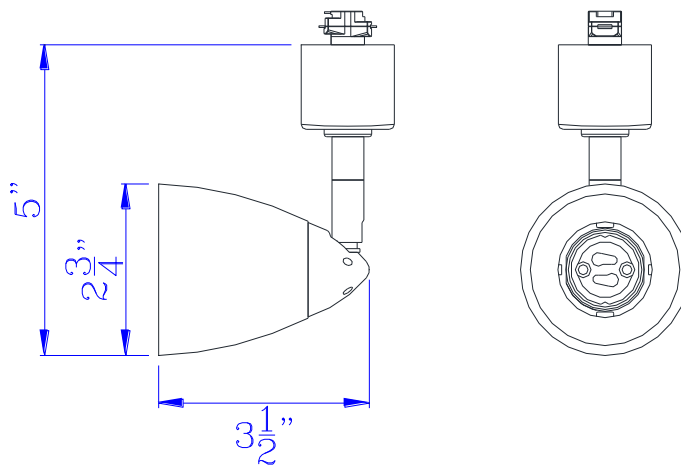
3625 E. Philadelphia St. Ontario CA. 91761 • Tel: 909.947.5200 • Fax:
909.947.5673 • www.calighting.com • service@calighting.com •
Specifications subject to change without notice

Type: _____

Project: _____

Catalog No.: _____

Lamp/Wattage: _____



Model No. : HT-954

Rotation : 355 degree

Capability : +90 degree from horizontal

Bulb : GU10 (halogen)


Socket : GU10

Voltage : 120V

Wattage : 50W Max.

Finish: WH (White)

Shade: Glass

Certificate : c  us