

## Z-1090 LED

Wall Mounted • Wet Location Listed PROGRESS LED



### Description:

An elongated frame and clean, crisp lines are the hallmarks of this striking light fixture. A modern take on an open-cage design is manifested by a rectangular silhouette with an open bottom and sides through which a stunning glow can shine. At the fixture's crown, a solid square attaches to the simple backplate for a final punctuated dash of formal elegance. A bold, black finish completes the stately design sure to elevate your home decor style.

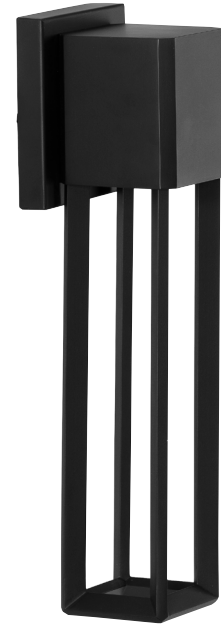
### Specifications:

- A modern take on an open-cage design is manifested by a rectangular silhouette with an open bottom and sides through which a stunning glow can shine.
- A bold, black finish completes the stately design sure to elevate your home décor style.
- At the fixture's crown, a solid square attaches to the simple backplate for a final punctuated dash of formal elegance.
- Ideal for any bedroom, foyer, entryway, porch, or patio.
- Perfect for transitional, modern, and contemporary settings.
- Measures 4-1/2-inch width by 16-inch height.
- Uses one LED module (9w).
- Compatible with many Triac/ELV dimmers (see dimming controls)
- Includes installation instructions and mounting hardware.
- Progress Lighting products are designed for exceptional quality, reliability, and functionality.
- Dimmable to 10% brightness (See Dimming Notes)
- Canopy covers a standard 4" recessed outlet box: 4.5 in W., 5 in ht., 0.812 in depth
- Mounting backplate for outlet box included
- 6 in of wire supplied

### Performance:

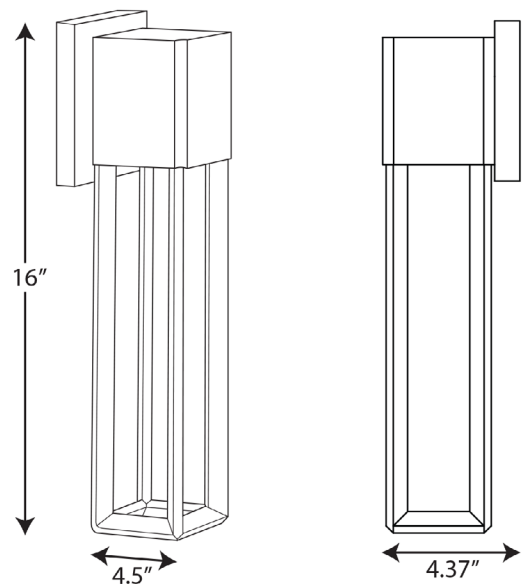
Input Power	9 W
Input Voltage	120 V
Input Frequency	60 Hz
Lumens/LPW (Source)	624/66 (LM-82)
CCT	3000 K
CRI	90 CRI
Life (hours)	60000 (L70/TM-21)
EMI/RFI	FCC Title 47, Part 15, Class B
Warranty	5-year Limited Warranty
Labels	cCSAus Wet Location Listed
	ENERGY STAR® qualified
	Meets California Title 24 JA8-2016

## P560137-031-30



### Dimensions:

Width: 4-1/2 in  
 Height: 16 in  
 Depth: 4-3/8 in  
 H/CTR: 2-1/2 in



**Dimming Notes:**

---

P560137-031-30 is designed to be compatible with many Triac/ELV controls.

The following is a partial list of known compatible dimmer controls.

**Dimming Controls:**

---

Lutron Diva DVELV-300P

Lutron Nova T NTELV-300

Lutron Caseta

Lutron Ariadni AY-600P

Leviton Illumatech IPI06-1LZ

Leviton SureSlide 6672

Lutron Ariadni AYCL-153P

Lutron Skylark Contour CTCL-153P

Lutron Diva DVCL-153P

Lutron Toggler TGCL-153P

Lutron Maestro MACL-153M

Lutron Ariadni AYLV-600P

Lutron NOVA T NTLV-600

lutron Maestro MAELV-600

Lutron spacer/system SPSELV-600

Lutron Renoir II AWRMG-EAW

Lutron Nova N-600

Dimming capabilities will vary depending on the dimmer control, load, and circuit installation.

Always refer to dimmer manufacturer instructions or a controls specialist for specific requirements.

Dimmer control brand names where identified above are trade names or registered trademarks of each respective company.

**P560137-031-30**