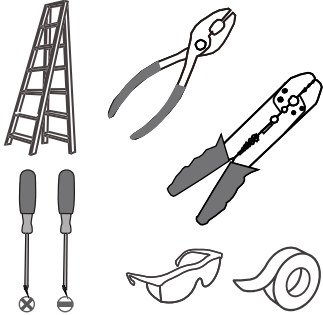
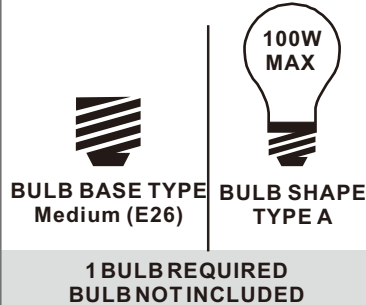


**Tools Required**



**Light Source**



**Warnings and Cautions**

Turn off the electricity at the circuit breaker before installation. Consult a licensed electrician if in doubt about installation.

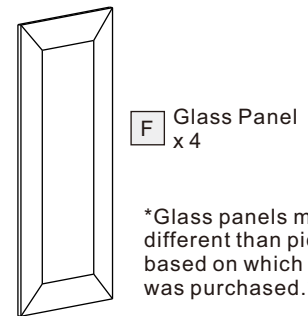
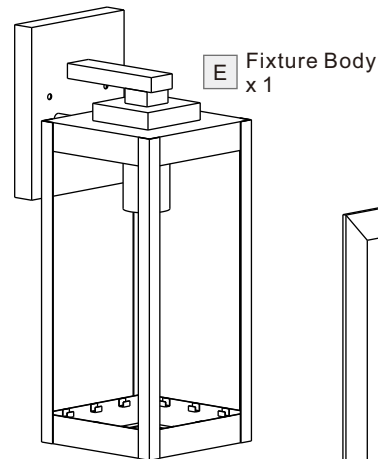
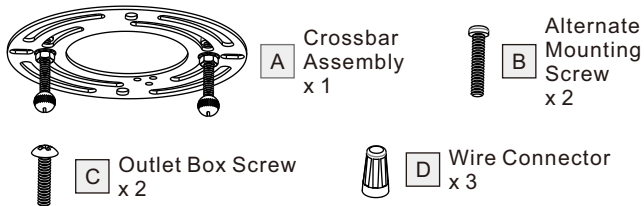
Turn off power to the fixture and allow the bulbs to cool before replacing.

**Package Contents**

**Preparation:** Identify and inspect all parts before beginning the installation.



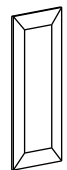
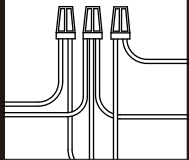
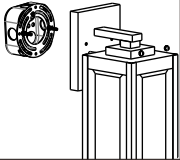

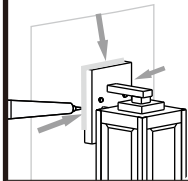
Missing or damaged parts? Contact your original place of purchase.

**PARTS BAG**



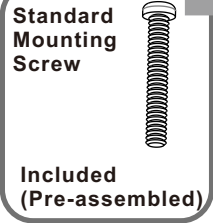
\*Glass panels may be different than pictured based on which item was purchased.\*

**Table of Contents**

Alternate Mounting Screw	Crossbar Assembly	Glass Panel	Wiring	Fixture Body	Bulb	Caulk
						
<b>STEP 1</b>	<b>STEP 2</b>	<b>STEP 3</b>	<b>STEP 4</b>	<b>STEP 5</b>	<b>STEP 6</b>	<b>STEP 7</b>

# STEP 1

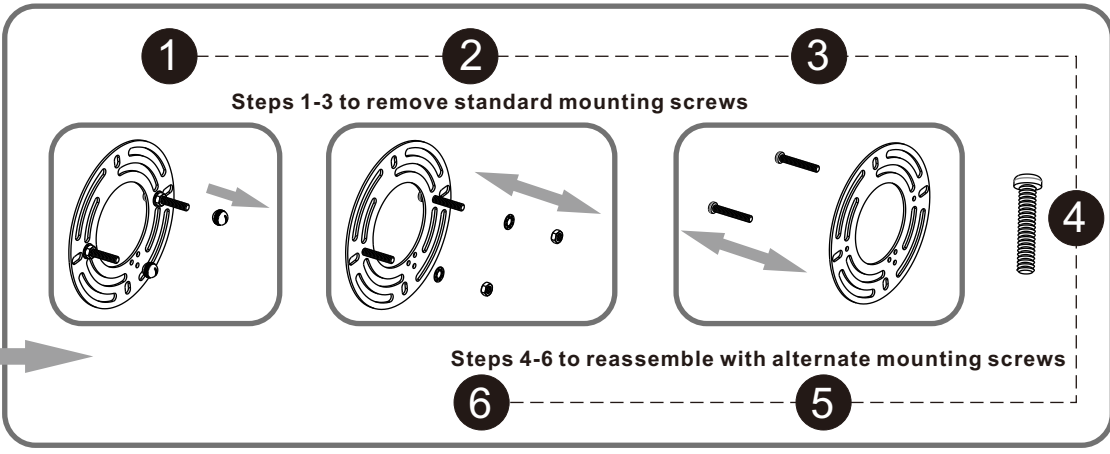
OPTION 1



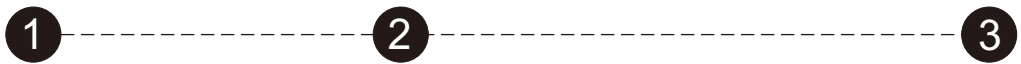
OPTION 2



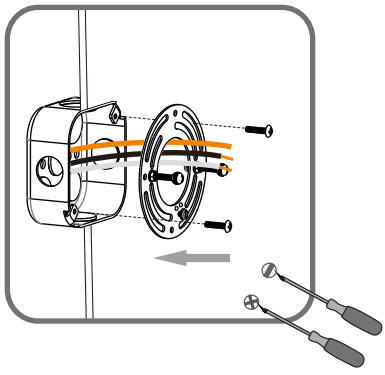
skip to next page



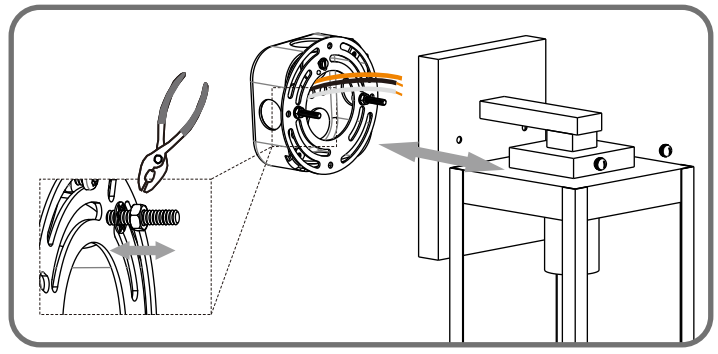
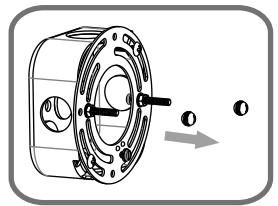
# STEP 2



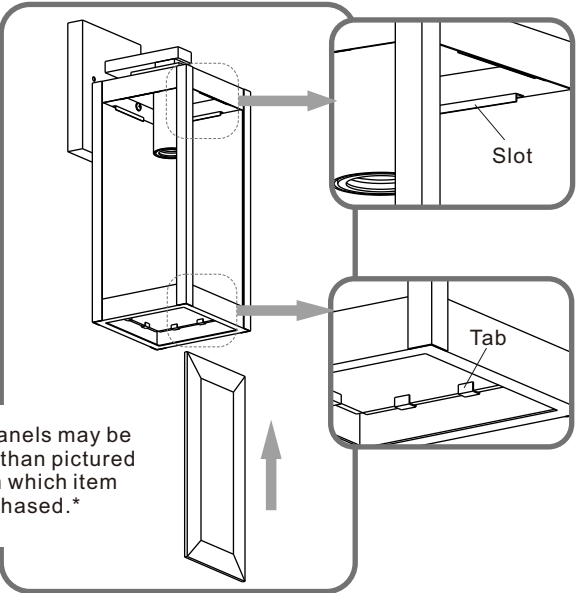
Step 1  
Install crossbar assembly



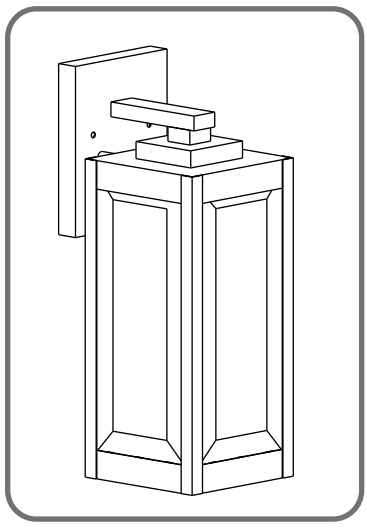
Step 2 - 3  
Test fitting backplate to mounting screws



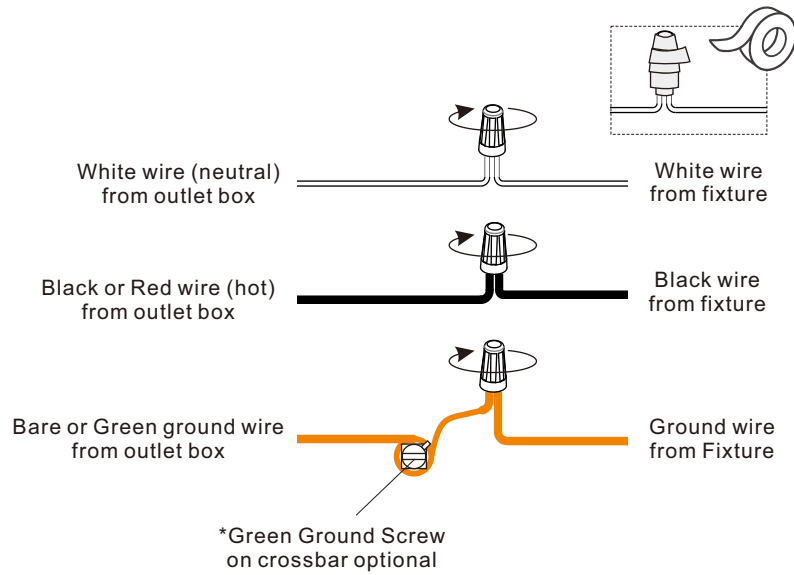
# STEP 3



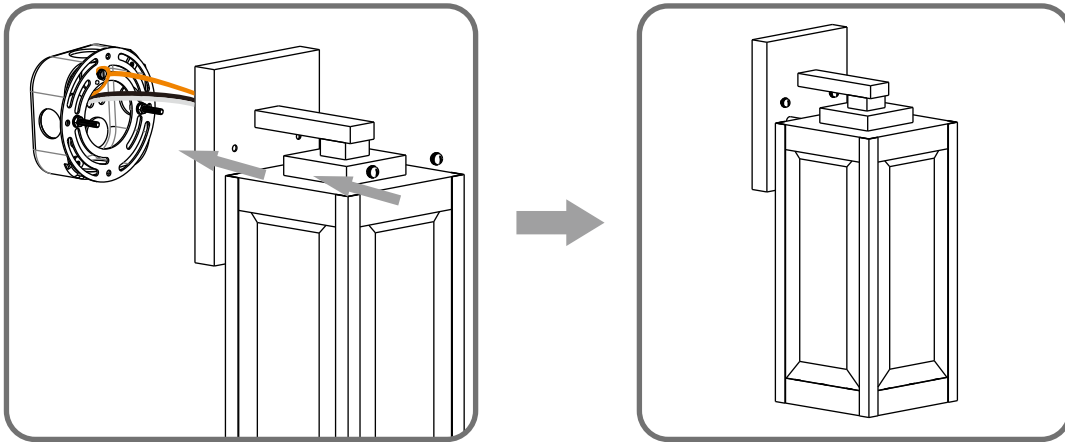
\*Glass panels may be different than pictured based on which item was purchased.\*



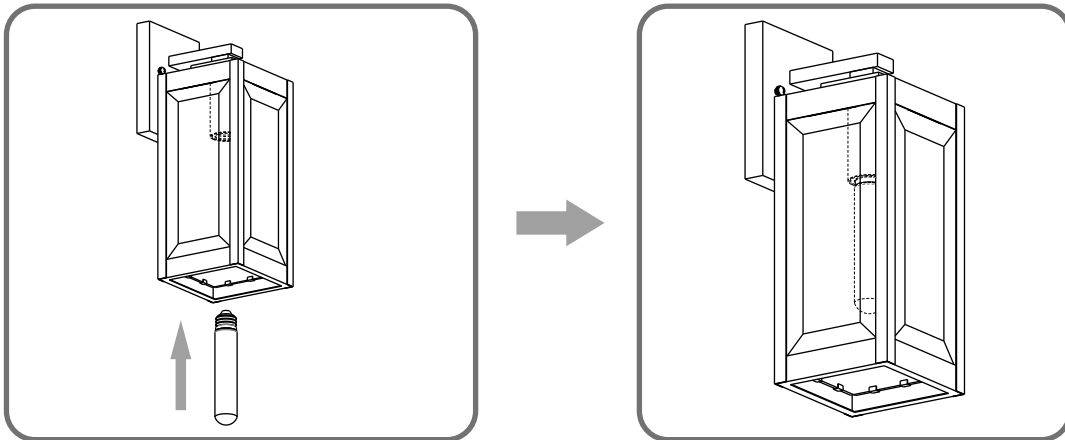
## STEP 4



## STEP 5



## STEP 6



**STEP 7**

