

INSTALLATION INSTRUCTION

Exterminator II LED Track Luminaires

WTK-1014/1023/1035/1052, WHK-1035/1023/1052

WAC LIGHTING

Responsible Lighting®

WARNING

IMPORTANT: NEVER attempt any work without shutting off the electricity.

- Read all instructions before installing.
- System is intended for installation by a qualified electrician in accordance with the National Electrical Code and local regulations.
- Go to the main fuse box, or circuit breaker. Place the main power switch in the "OFF" position and unscrew the fuse(s) or switch "OFF" the circuit breaker switch(es) that control the power to the fixture or room that you are working on.
- Place the wall switch in the "OFF" position.

AVERTISSEMENT

IMPORTANT : Coupez l'électricité avant TOUTE manipulation.

- Lisez toutes les instructions avant d'installer.
- Système est destiné à être installé par un électricien qualifié en conformité avec le code national de l'électricité et les règlements locaux.
- Accédez au panneau central de disjoncteurs ou de fusibles de votre demeure et placez l'interrupteur principal en position d'arrêt (« OFF »).
- Placez l'interrupteur mural en position d'arrêt (« OFF »).

Overview:

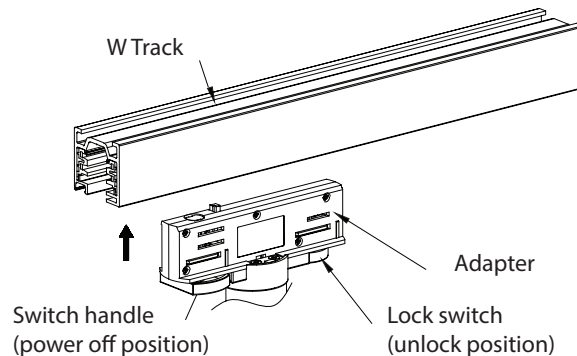
Fixtures are designed for use on WAC Lighting's track systems. They may also be used on other manufacturer's brand of track (consult factory for compatibility).

LED TRACK LUMINAIRE	TRACK SYSTEM
WTK-1014/WTK-1023/WTK-1035/WTK-1052 Series	WTK 120V W Track
WHK-1035/WHK-1023/WHK-1052 Series	WHK 277V W Track

Installing on Track

1. Turn the lock switch to the unlock position. Turn the circuit selecting handle to the power off position. (Fig 1)

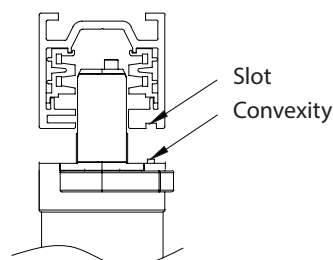
Fig 1



2. Make sure the convexity on the adaptor box is at the same side with the slot on the track (Fig 2).

Fit the adaptor box into the track. Ensure the convexity on the adaptor box is at the same side with the slot on the track.

Fig 2



WAC Lighting
www.waclighting.com
Phone (800) 526.2588 • Fax (800) 526.2585

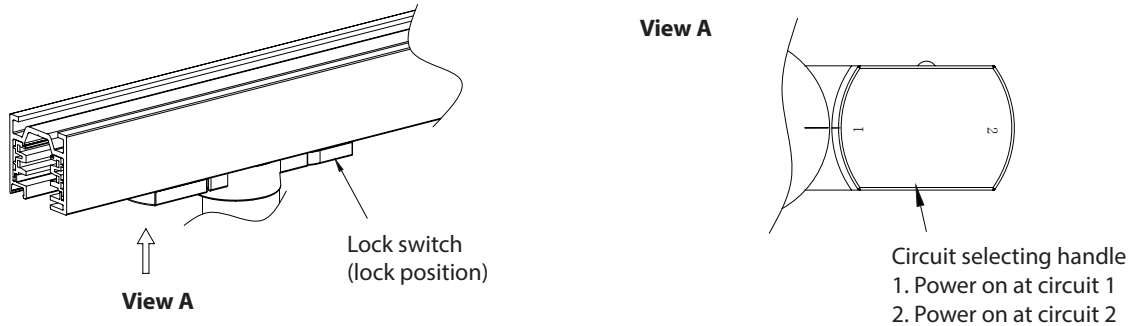
Headquarters/Eastern Distribution Center
44 Harbor Park Drive • Port Washington, NY 11050
Phone (516) 515.5000 • Fax (516) 515.5050

Western Distribution Center
1750 Archibald Ave • Ontario, CA 91761
Phone (800) 526.2588 • Fax (800) 526.2585

Installing on Track (Continue)

3. Turn the lock switch to the lock position. Turn the circuit selecting handle to 1 or 2 to switch the power on.

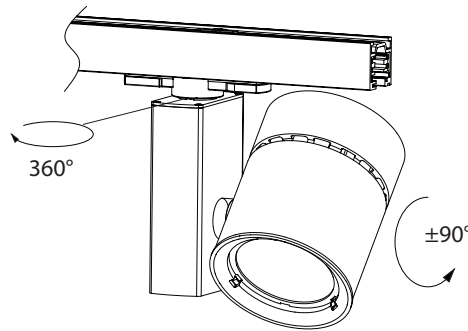
Fig 3



FIXTURE POSITIONING:

4. Rotate the luminaire's body horizontally or vertically to aim it properly.
The fixture can rotate $\pm 90^\circ$ vertically and 360° horizontally.

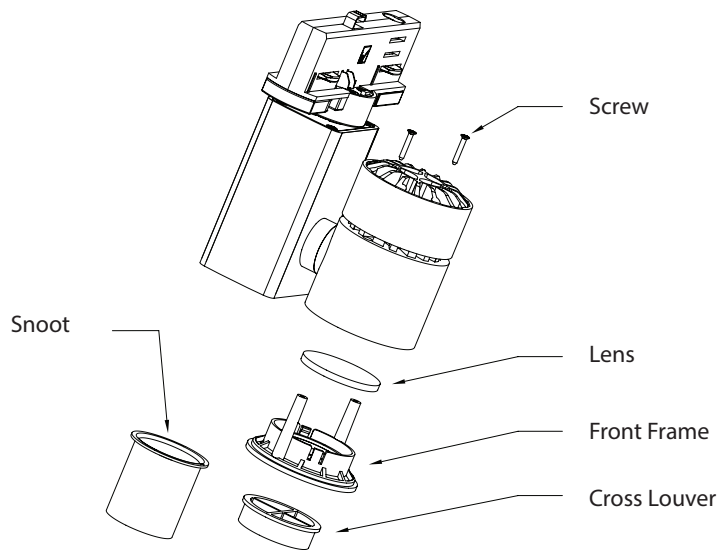
Fig.4



ACCESSORIES (Fig.5)

1. Use a screw-driver loosen the two screws at the back of the fixture body.
2. Take out the front frame, then change the lens.
3. To install cross louver or snoot, use the clips around the front frame to fasten them directly.

Fig.5



Aligning the Reflector (Fig. 6)

Before putting the accessory assembly back to the fixture, make sure to align the reflector properly as shown in **Fig. 6**.

Fig. 6

