



CAL LIGHTING

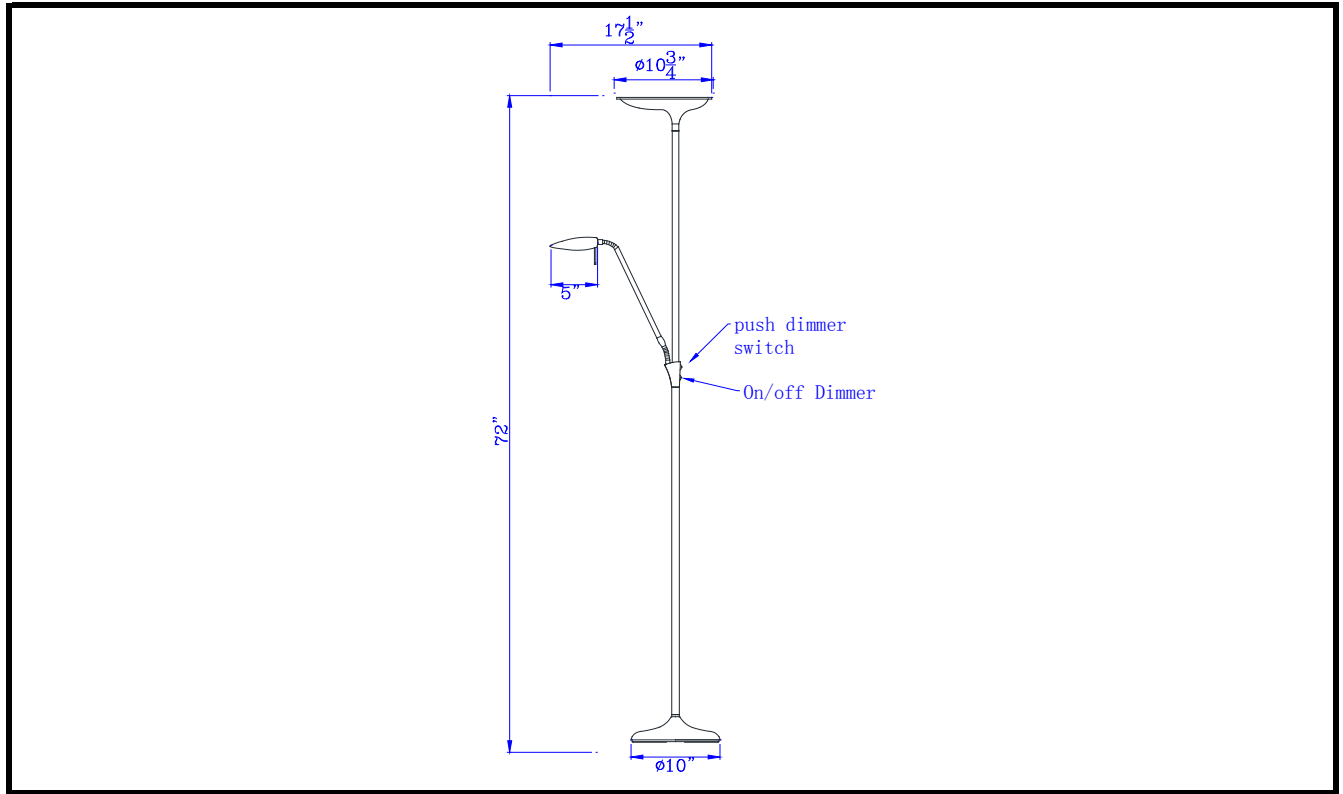
3625 E. Philadelphia St. Ontario CA. 91761 • Tel: 909.947.5200 • Fax:
909.947.5673 • www.calighting.com • service@calighting.com •
Specifications subject to change without notice

Type: _____

Project: _____

Catalog No.: _____

Lamp/Wattage: _____



Model No: BO-2872TR-DB
Description: Treviso integrated dimmable LED metal torchiere with 5W gooseneck reading lamp
Material: Metal
Finish : Dark Bronze
Height: 72"
Reach/Depth: 17 1/2"
Base Width: Dia. 10"
Wattage : 30W+5W
Socket : LED
Switch: Push dimmer +On/off
Bulb: LED
Kelvin: 3000K
Lumen: 2200+400
Efficacy: 75
CRI: 85
Wire Length: 6'
Wire Color: Black
Shade No:
Material:
Shade size: 10 3/4" , 5"
Warranty: Three Years

Certificate :

