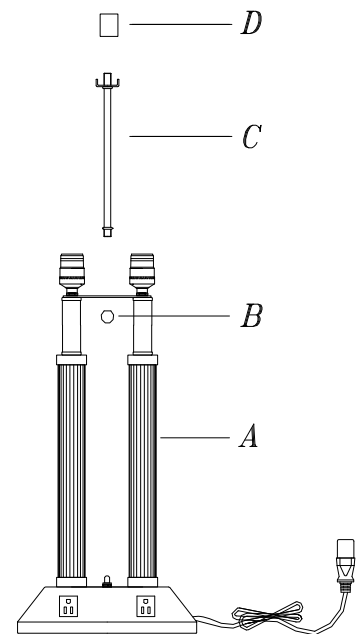


ASSEMBLY INSTRUCTIONS

ITEM NO: LA-8003DK-1CH

1. CAREFULLY UNPACK AND PLACE ALL PARTS ON A SMOOTH SURFACE AND LAY THEM UP AS PER THE SKETCH.
2. PUT STEM (C) ONTO THE BODY (A),SCREW FINIAL (B) ONTO STEM (C).
3. PUT THE SHADE (NOT INCLUDED) ONTO THE STEM (C),TURN A RIGHT WAY ,THEN SCERW FINIAL (D) ONTO THE STEM (C) YOUR NEW LAMP IS NOW READY TO ENJOY.

WATTAGE: TYPE A 2 *60W (BULB NOT INCLUDED)



IMPORTANT SAFETY INSTRUCTIONS:

THIS PORTABLE LAMP HAS A POLARIZED PLUG (ONE BLADE IS WIDER THAN THE OTHER) AS A FEATURE TO REDUCE THE RISK OF ELECTRIC SHOCK. THIS PLUG WILL FIT IN A POLARIZED OUTLET ONLY ONE WAY. IF IT DOES NOT FIT FULLY IN THE OUTLET, REVERSE THE PLUG. IF IT STILL DOES NOT FIT, CONTACT A QUALIFIED ELECTRICIAN. NEVER USE WITH AN EXTENSION CORD UNLESS THE PLUG CAN BE FULLY INSERTED.

DO NOT ALTER THE PLUG.

SAVE THESE INSTRUCTIONS FOR FUTURE REFERENCE.