

INSTALLATION INSTRUCTION

Lucio - LED Track Luminaires

WTK-6010*/WTK-6022*/WHK-6010*/WHK-6022*

WAC LIGHTING
Responsible Lighting®

WARNING

IMPORTANT: NEVER attempt any work without shutting off the electricity.

- Read all instructions before installing.
- System is intended for installation by a qualified electrician in accordance with the National Electrical Code and local regulations.
- Go to the main fuse box, or circuit breaker. Place the main power switch in the "OFF" position and unscrew the fuse(s) or switch "OFF" the circuit breaker switch(es) that control the power to the fixture or room that you are working on.
- Place the wall switch in the "OFF" position.

AVERTISSEMENT

IMPORTANT : Coupez l'électricité avant TOUTE manipulation.

- Lisez toutes les instructions avant d'installer.
- Système est destiné à être installé par un électricien qualifié en conformité avec le code national de l'électricité et les règlements locaux.
- Accédez au panneau central de disjoncteurs ou de fusibles de votre demeure et placez l'interrupteur principal en position d'arrêt (« OFF »).
- Placez l'interrupteur mural en position d'arrêt (« OFF »).

All parts must be used as indicated in these instructions. Do not substitute any parts, leave parts out, or use any parts that are worn out or broken. Failure to follow this instruction could invalidate the UL listing of this fixture.

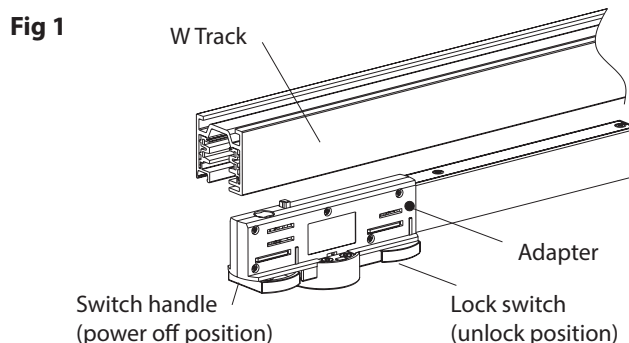
Overview:

Fixtures are designed for use on WAC Lighting's W track systems.

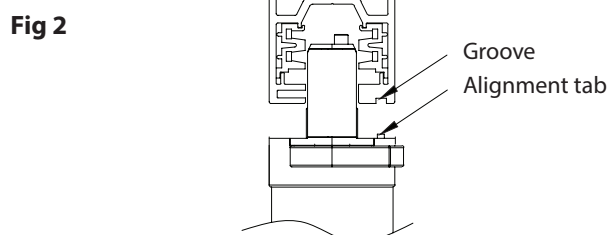
LED TRACK LUMINAIRE	TRACK SYSTEM
WTK-6010*/ WTK-6022*	WTK 120V W Track
WHK-6010*/ WHK-6022*	WHK 277V W Track

Installing on Track

1. Make sure that the lock switch is in the unlock position and the circuit selection handle is in the off position. (See to Fig 1)



2. Align the alignment tab bump on the adapter with the groove/slot on the track (see Fig 2). Once aligned, insert adapter into the track



WAC Lighting
www.waclighting.com
Phone (800) 526.2588 • Fax (800) 526.2585

Headquarters/Eastern Distribution Center
44 Harbor Park Drive • Port Washington, NY 11050
Phone (516) 515.5000 • Fax (516) 515.5050

Western Distribution Center
1750 Archibald Ave • Ontario, CA 91761
Phone (800) 526.2588 • Fax (800) 526.2585

INSTALLATION INSTRUCTION

Lucio - LED Track Luminaires

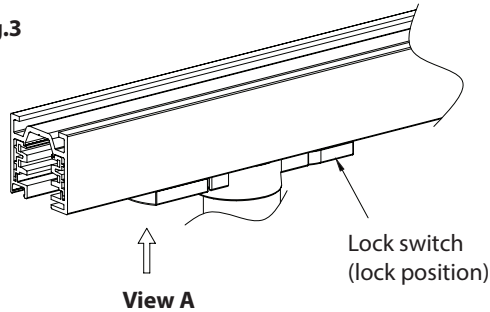
WTK-6010*/WTK-6022*/WHK-6010*/WHK-6022*

WAC LIGHTING

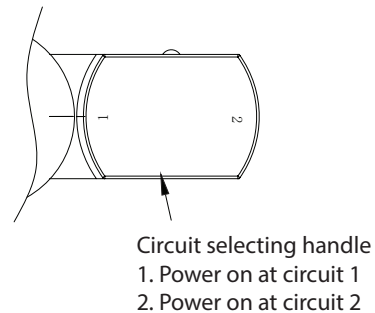
Responsible Lighting®

3. To secure the fixture to the track turn the lock switch to its locked position.(See Fig 3)
4. Select the circuit you want the luminaire to be powered on by rotating the circuit selection handle to circuit 1 or 2. (See View A)

Fig.3



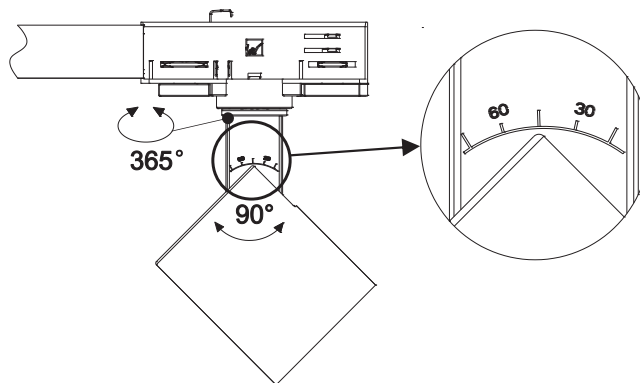
View A



5. Switch the main fuse breaker and circuit breaker to "ON" position.
6. Place the wall switch in the "ON" position

Positioning the Fixture

7. After the light is on, rotate the luminaire's body horizontally and vertically to aim it properly. Vertical aiming includes index markings. (See Fig 4)



WAC Lighting
www.waclighting.com
Phone (800) 526.2588 • Fax (800) 526.2585

Headquarters/Eastern Distribution Center
44 Harbor Park Drive • Port Washington, NY 11050
Phone (516) 515.5000 • Fax (516) 515.5050

Western Distribution Center
1750 Archibald Ave • Ontario, CA 91761
Phone (800) 526.2588 • Fax (800) 526.2585

INSTALLATION INSTRUCTION

Lucio - LED Track Luminaires

WTK-6010*/WTK-6022*/WHK-6010*/WHK-6022*

WAC LIGHTING

Responsible Lighting®

ACCESSORIES

With the power off, follow steps below. Reference specification sheet for compatible accessories.

Glare Control Accessory Installation:

Step 1: Gently move front cap forward to remove it. One torsion spring will remain engaged while other will slide out completely. (See **Fig 5**)

Step 2: Insert glare control accessory through the front frame. (See **Fig 6**)

Step 3: Reinstall front cap back in place. Ensure torsion spring securely goes back into spring slot on fixture (See **Fig 7**)

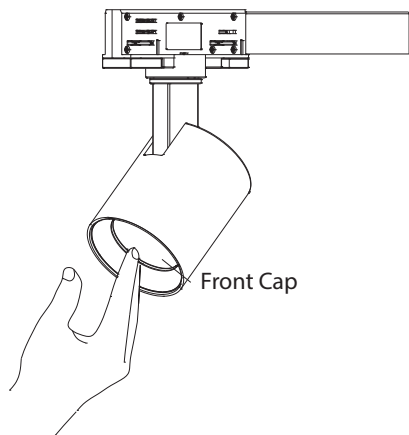


Fig.5

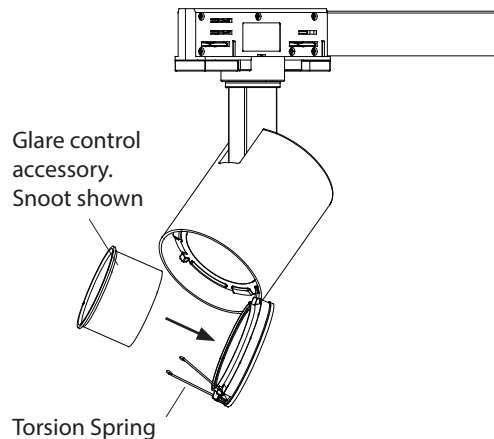


Fig.6

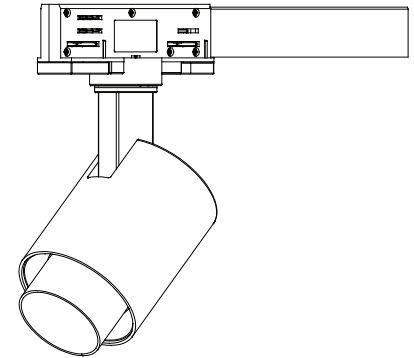


Fig.7

Lens Accessory Installation:

Step 1: Gently move front cap forward to remove it. (See **Fig 8**)

Step 2: Rotate lens holder with ears counterclockwise to remove it. (See **Fig 9**)

Step 3: Replace existing lens with new lens. (See **Fig 10**)

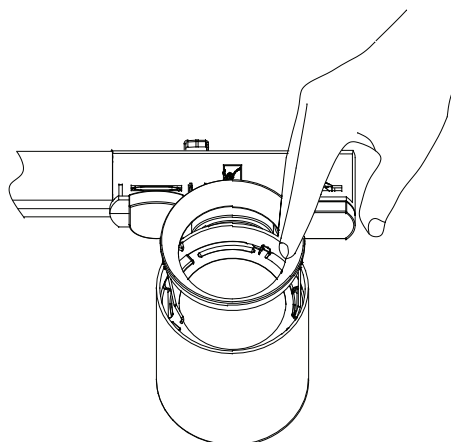


Fig.8

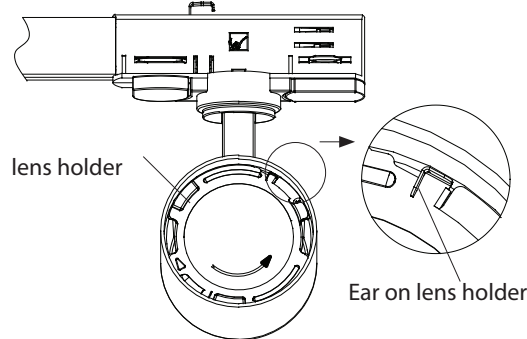


Fig.9

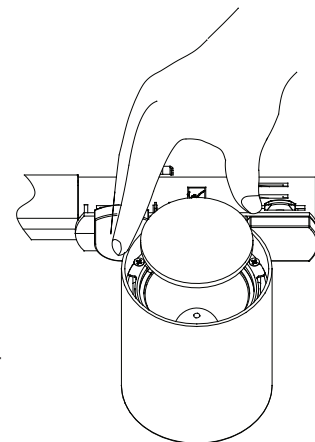


Fig.10

WAC Lighting
www.waclighting.com
Phone (800) 526.2588 • Fax (800) 526.2585

Headquarters/Eastern Distribution Center
44 Harbor Park Drive • Port Washington, NY 11050
Phone (516) 515.5000 • Fax (516) 515.5050

Western Distribution Center
1750 Archibald Ave • Ontario, CA 91761
Phone (800) 526.2588 • Fax (800) 526.2585

INSTALLATION INSTRUCTION

Lucio - LED Track Luminaires

WTK-6010*/WTK-6022*/WHK-6010*/WHK-6022*

WAC LIGHTING

Responsible Lighting®

Change LENS

Step 4: Align the triangle mark on the lens holder to the one on the reflector holder, then rotate clockwise to lock it. (See **Fig 11**)

Step 5: Reinstall front cap back in place. Ensure torsion spring securely goes back into spring slot on fixture (See **Fig 12**)

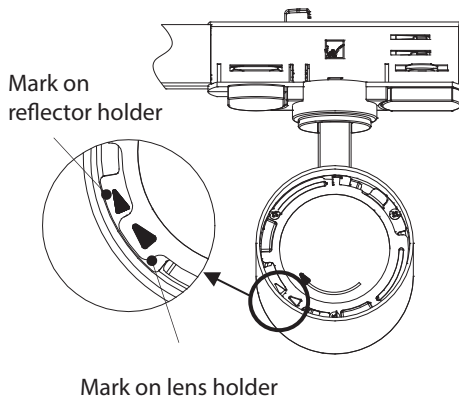


Fig.11

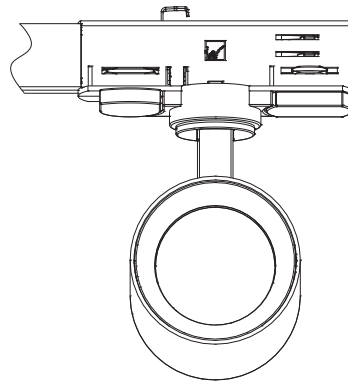


Fig.12