

CRYSTORAMA

LIGHTING THE WAY FOR SIXTY YEARS

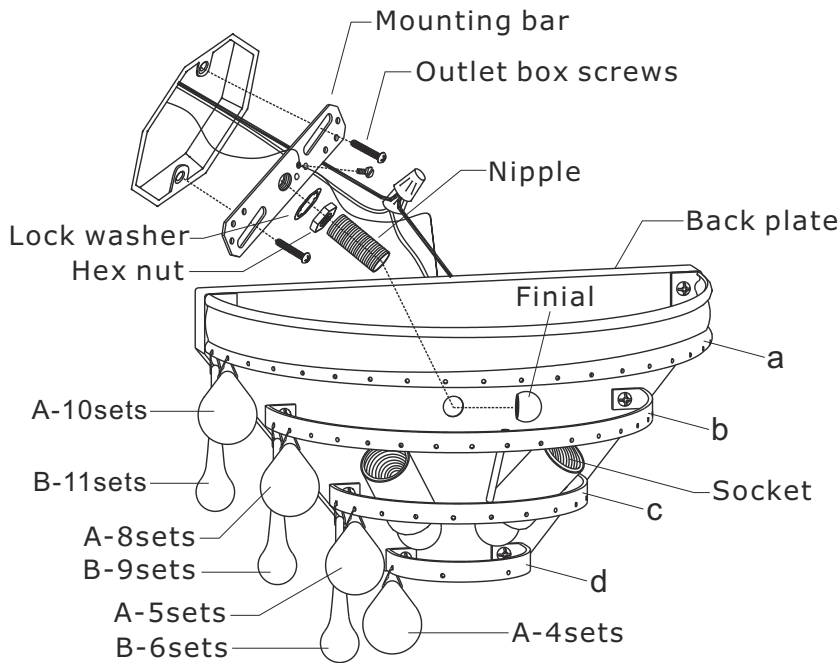
ASSEMBLY INSTRUCTION MODEL#132-VZ



All electrical components must be installed by a licensed electrician in accordance with the National Electric Code and the appropriate local electrical codes.



You will need 2- Candelabra Base Bulb
40 Watts Recommended 60 Watts Max.
USE LED BULBS FOR EXTENDED USE
This fixture is Damp rated

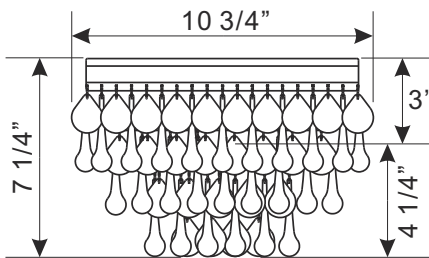


**Hang crystals to rings "a" "b" and "c" alternating between crystals A and B.
Hang crystal A to ring "d".**

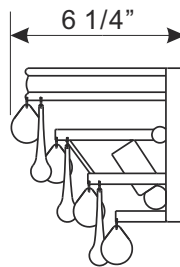
How to install

1. Thread the hex nut onto the nipple so that five threads are exposed above the hex nut. Insert the lock washer and thread the nipple into the mounting bar, then secure with the hex nut.
2. Secure the mounting bar to outlet box with the outlet box screws.
3. Install the backplate onto the mounting bar, and secure with the finial.
4. Install the bulb(not included) into the socket.
5. Hang crystals alternating between crystal A and B onto the holes on ring "a" "b" and "c".
6. Hang crystal A onto the holes on ring "d".

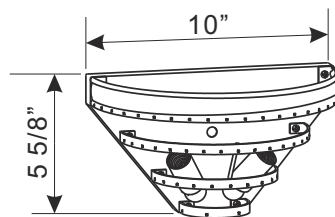
Front view



Side view




Back plate



A=  30mmx27sets

B=  76mmx26sets

 **WARNING:** This product can expose you to Lead which is known to the state of California to cause cancer and/or birth defects or reproductive harm. For more information go to www.P65Warnings.ca.gov

CRYSTORAMA

LIGHTING THE WAY FOR SIXTY YEARS

PART NUMBER MODEL# 132-VZ

Part Number

Part Numbers

- A. (1)-Mounting hardware
- B. (1)-Backplate L10"xW5-5/8"xH3/4" #XRF132VZBKP5.625IN
- C. (1)-Finial #XRF132VZFIN
- D. (1)-Top band ring
- E. (1)-Middle ring
- F. (1)-Bottom ring
- G. (2)-Socket

