

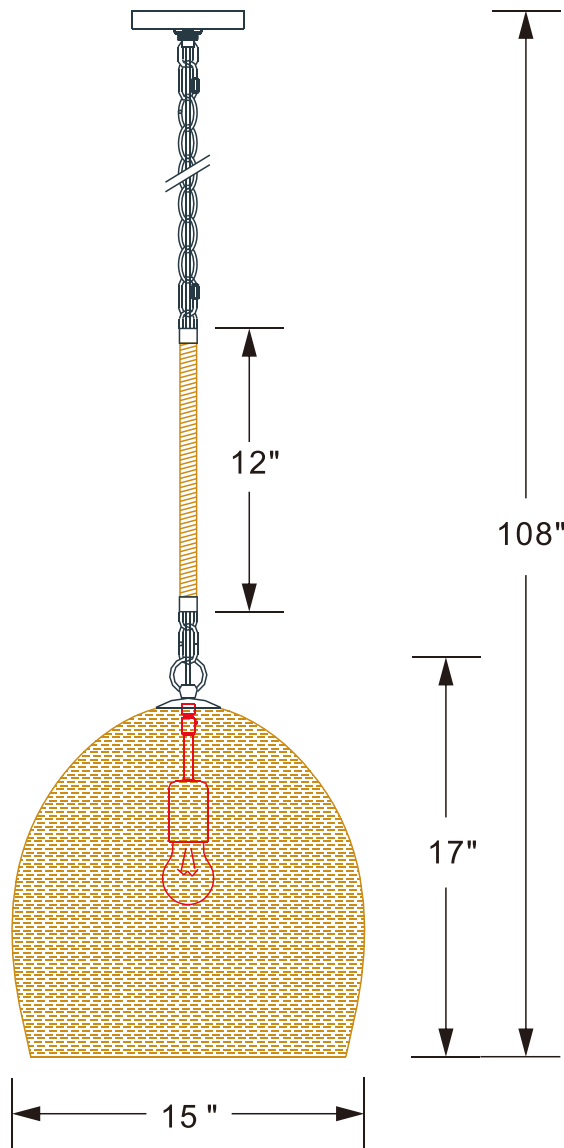
CRYSTORAMA

LIGHTING THE WAY FOR SIXTY YEARS



Crystorama.com

ASSEMBLY INSTRUCTION MODEL #JAC-10500-SG



WARNING:

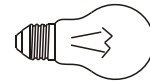


Electrical Danger



Turn Power Off

All electrical components must be installed by a licensed electrician in accordance with the National Electric Code and the appropriate local electrical codes.



You will need 1 - Medium Base Bulb

40 Watts Recommended 60 Watts Max.

USE LED BULBS FOR EXTENDED USE

THIS FIXTURE IS DAMP RATED

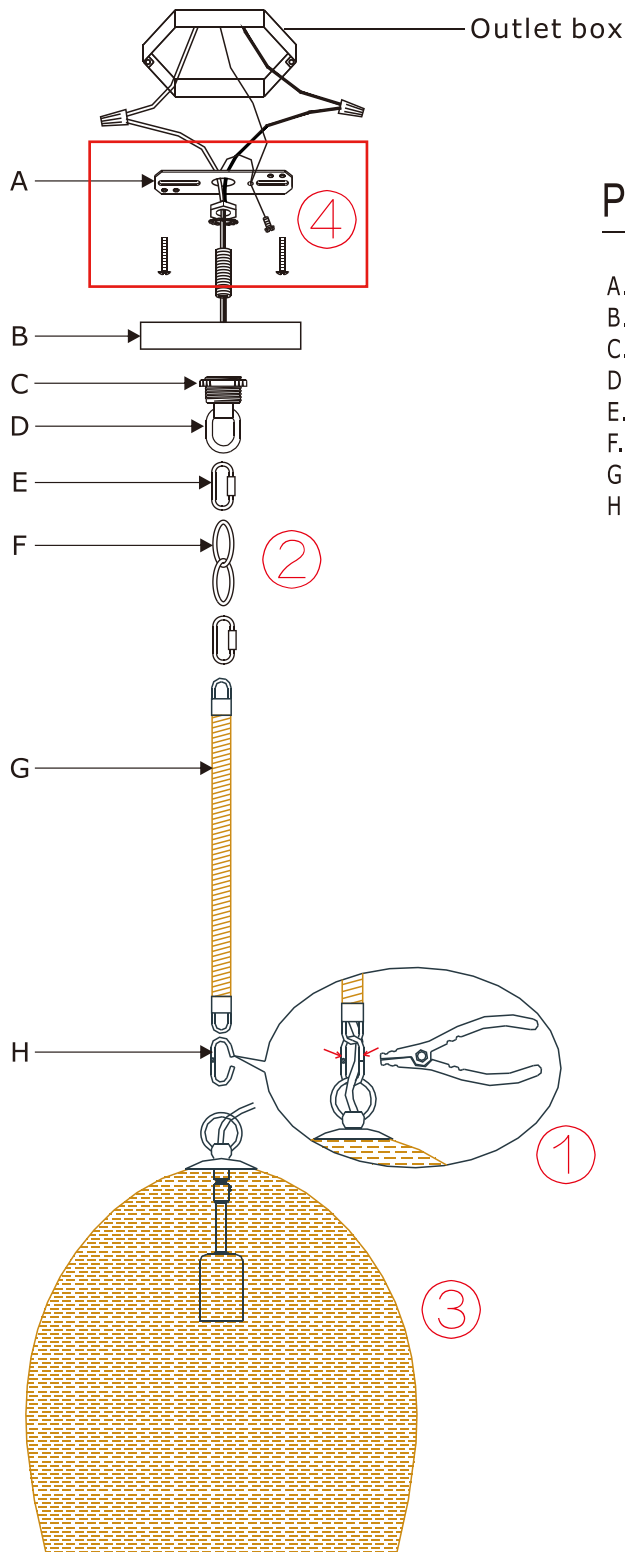
How to Install

1. Feed the wire through the chain link and rod. Hook the chain link onto the loop of the rod and the fixture loop. Close the link using the plier. (To prevent damage to the paint, please wrap a cloth around the plier when using)
2. Decide the preferred hanging height and choose the correct chain length needed.
3. Install the mounting strap onto the outlet box.
4. Raise the fixture up to the ceiling, and do the wire connections. Secure the canopy to the ceiling with the collar ring.

WARNING: This product can expose you to Lead, which is known to the State of California to cause cancer and/or birth defects or reproductive harm. For more information go to www.P65Warnings.ca.gov.



PART NUMBER MODEL # JAC-10500-SG



Part Number

- A. (1) - Mounting Hardware
- B. (1) - Canopy(W4.7",H0.8) #XRE10500SGCAN4.7IN
- C. (1) - Collar Ring
- D. (1) - Collar Loop
- E. (2) - Quick Link(4mm)
- F. (1) - Hanging Chain(72",4mm) #XRE10500SGCHA4.0MM
- G. (1) -Rod #XRE10500SGROD12IN
- H. (1) - Chain Link(4mm)