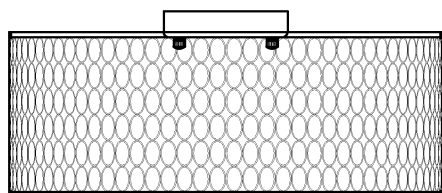


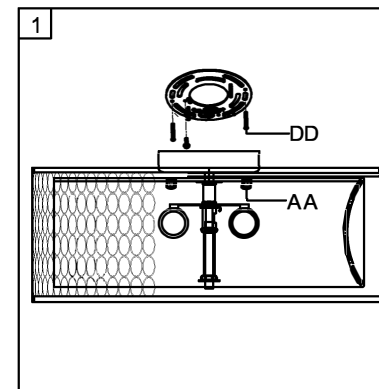
Trade Mark:  
CRYSTAL WORLD INC

Product Name: Ceiling lamp  
Model :5555C22SN-R  
120Vac, 60Hz,AC ONLY  
Lamp Size:D22"\*H7"



## CEILING LAMP ASSEMBLY INSTRUCTIONS

1. Place fixture(A) onto mounting screws (DD). secure with cap nuts (AA).



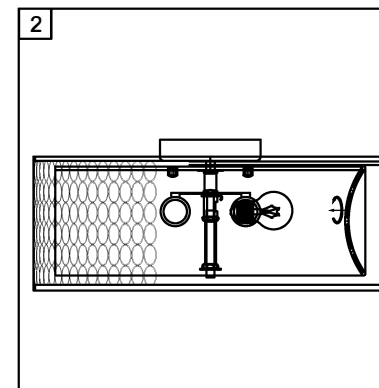
### Hardware Used

AA Cap nut  X 2

DD Mounting screw  X 2

2. lighting bulbs ( not included).

USE 120V E26  5\*60W Max.



3. Please fix part(B) with part(A).

