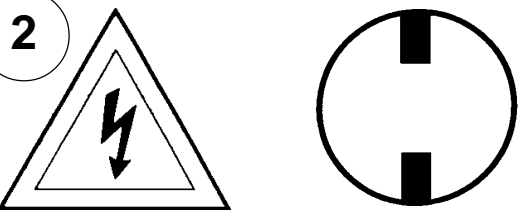


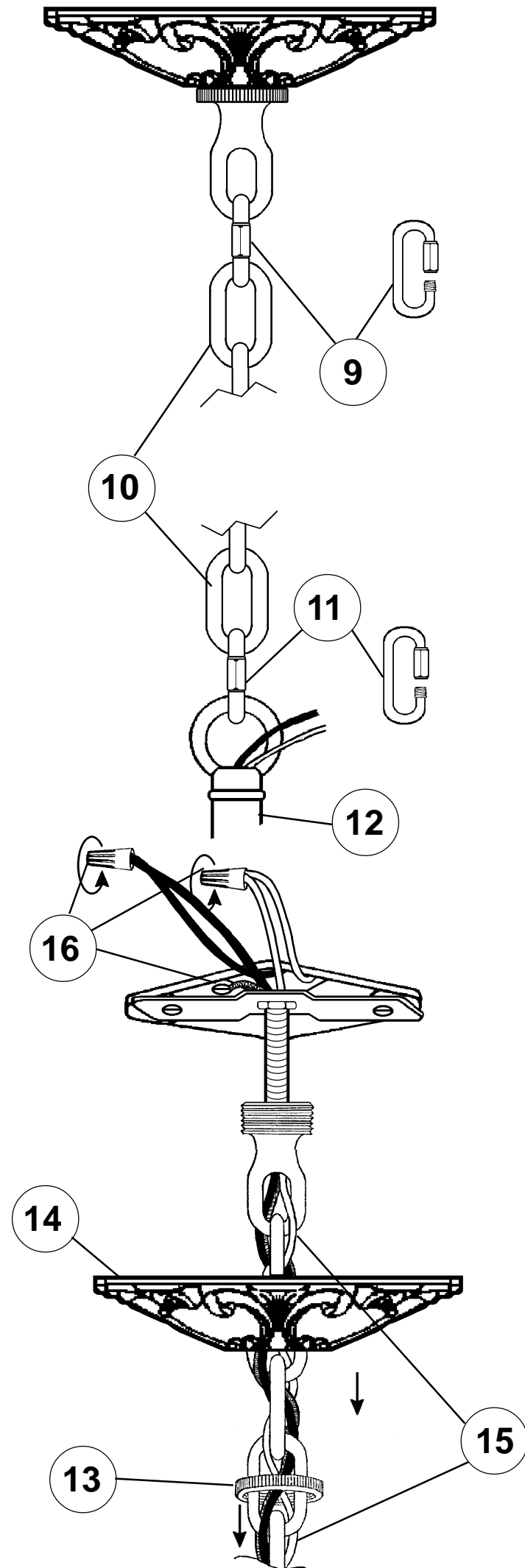
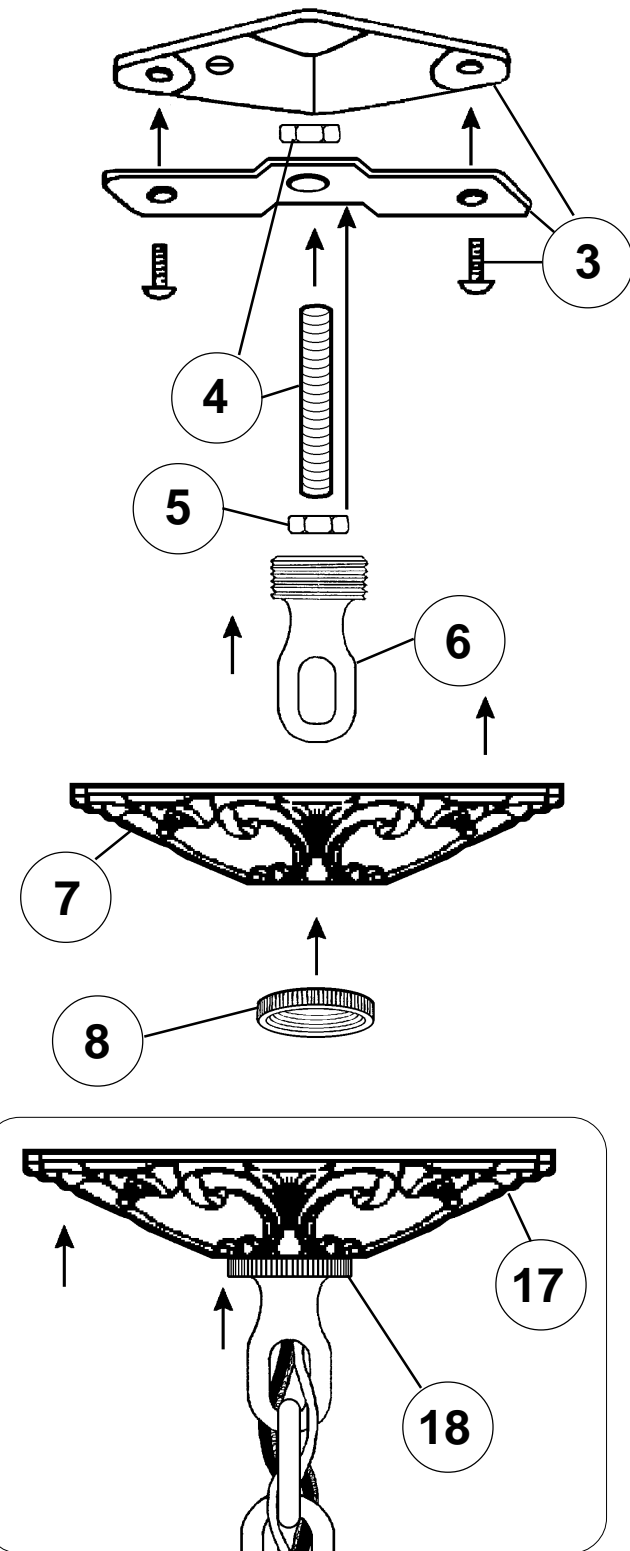
Instructions for electrician
STEPS 2 - 18

WARNING:



Electrical Danger Turn Power Off

All electrical components must be installed by a licensed electrician in accordance with the National Electric Code and the appropriate local electrical codes.



CHANDELIER 5075-___ TRIM DIAGRAM

(FINISH OPTION)

THIS DESIGN IS THE PROPRIETARY TRADE DRESS/TRADEMARK OF SCHONBEK WORLDWIDE LIGHTING INC.



15 Lights
Diameter: 28"
Body Length: 32"
Hanging Weight: 44 lbs

SCHONBEK®

See diagram on back page
Follow steps in exact order
Save this trim diagram for future reference

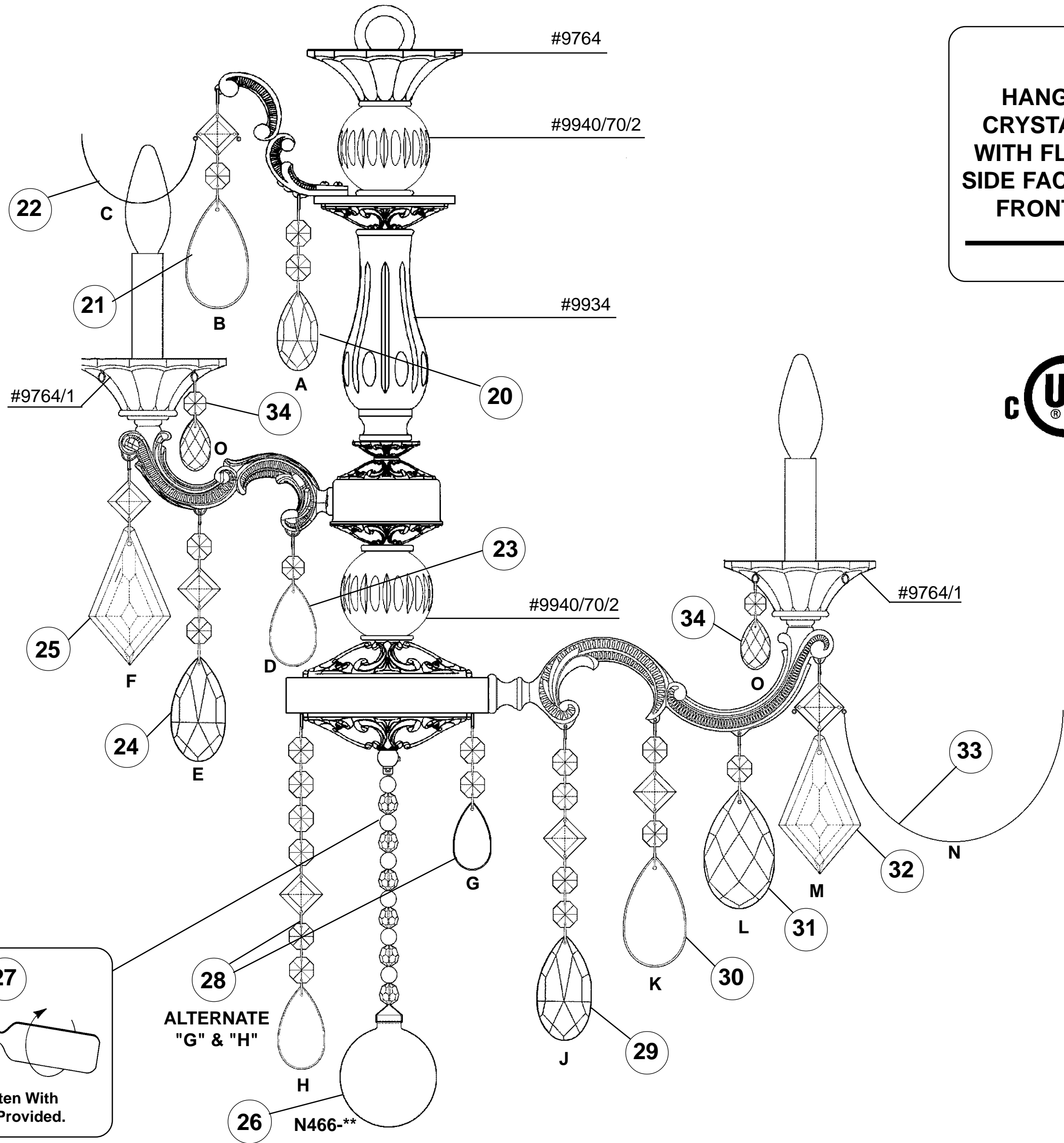
1 IMPORTANT
Person who opens carton should record the following information for future service.
CODE # _____ Four-digit number on outside of carton.
PACKER # _____ See crystal package label.
ORDER # _____ See crystal package label.



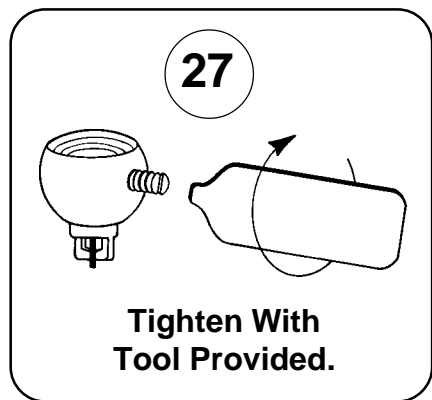
STEPS #2 - #18 ON
BACK PAGE



19 15 - C10
60 Watts Max
25 Watts Recommend



HANG
CRYSTAL
WITH FLAT
SIDE FACING
FRONT



ALTERNATE
"G" & "H"