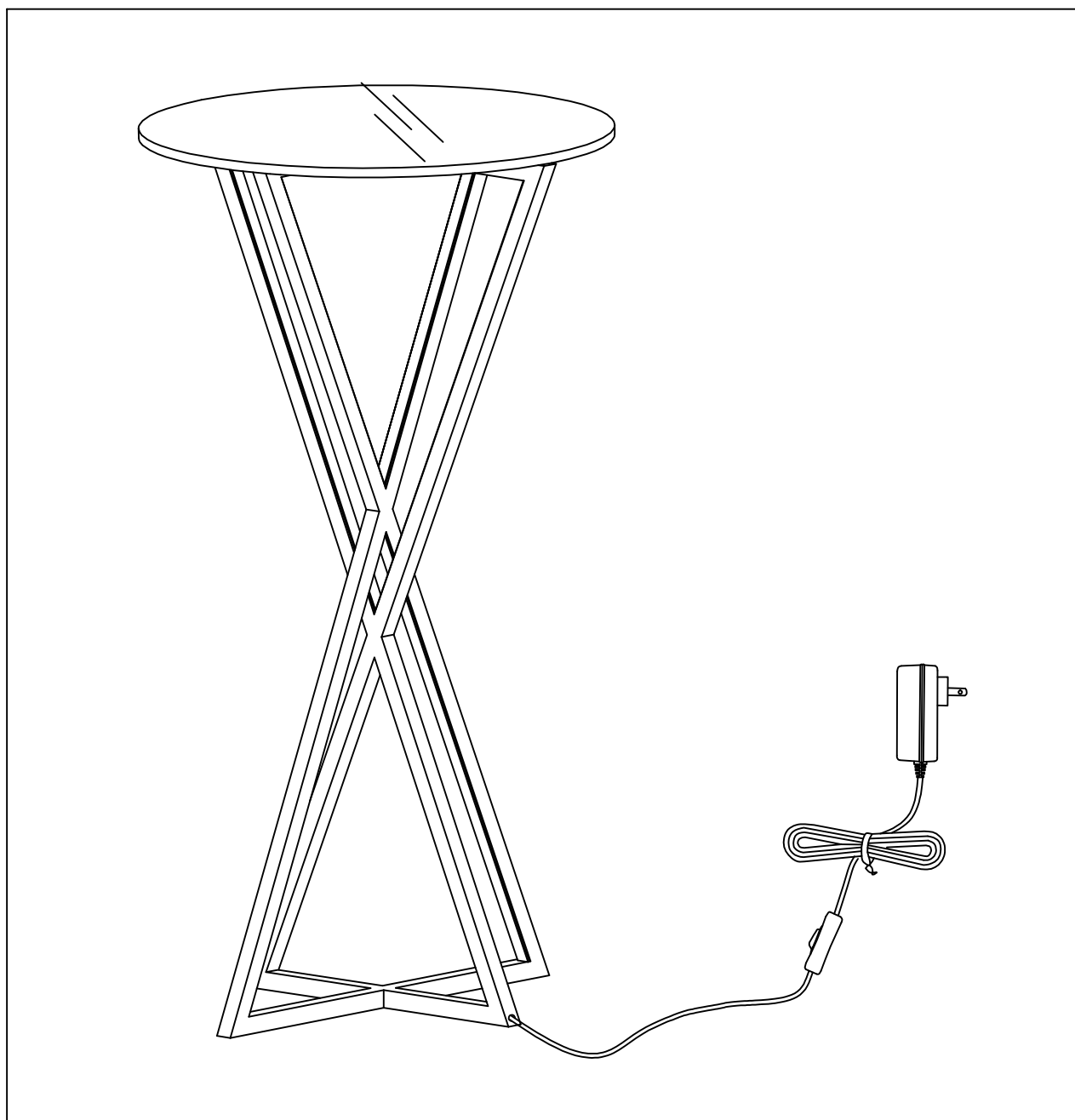




Contemporary
Lighting™

PRODUCT NAME: York LED Accent Table
ITEM NUMBER: E71011-PC

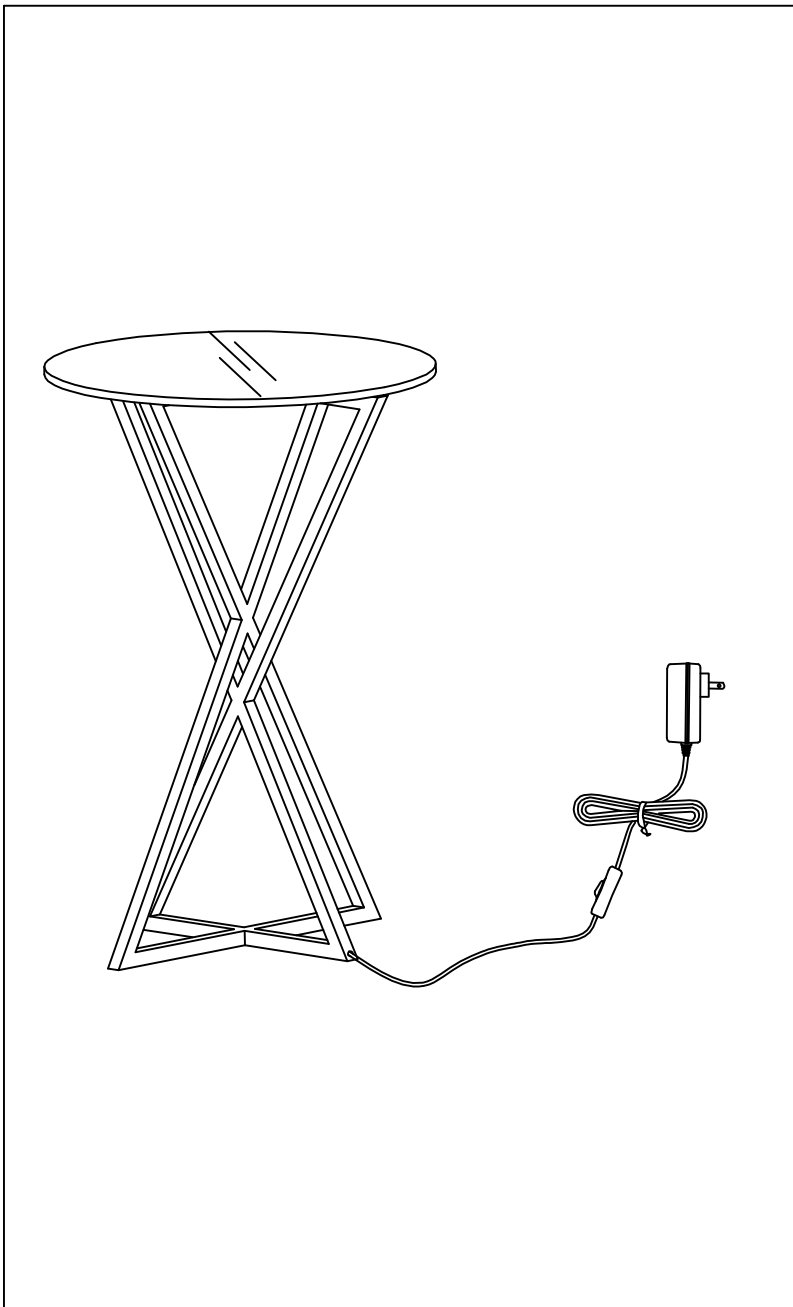
Please consult your electrician for hanging fixture and wiring.



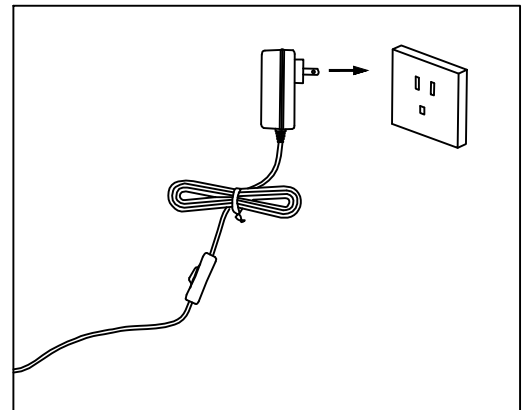
Bulb(integrated):LED 18W

IMPORTANT: Turn off the power at the main fuse or circuit breaker box before starting installation

Locate all hardware & components before discarding packaging

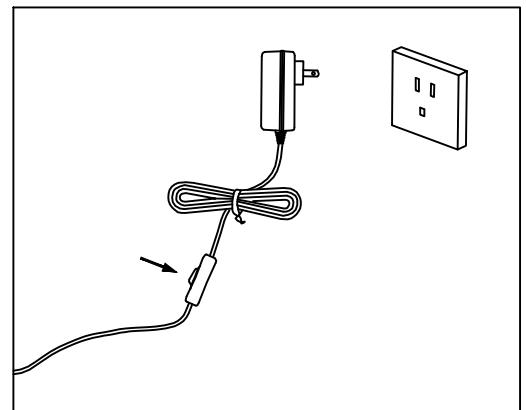


1.)



Step 1: put the electric plug into the socket.

2.)



Step 2: Pressed the switch to turn on light.

Cleaning & Care:

You may use talcum powder and a soft cloth for cleaning. Do not use abrasive cleaner.