

MODEL NO.: LA-162-BS

LA-162-RU

FLUORESCENT WALL MOUNT FIXTURE ASSEMBLY&INSTALLATION INSTRUCTIONS

Please read carefully and save these instructions, as you may need them at a later date.

CAUTION

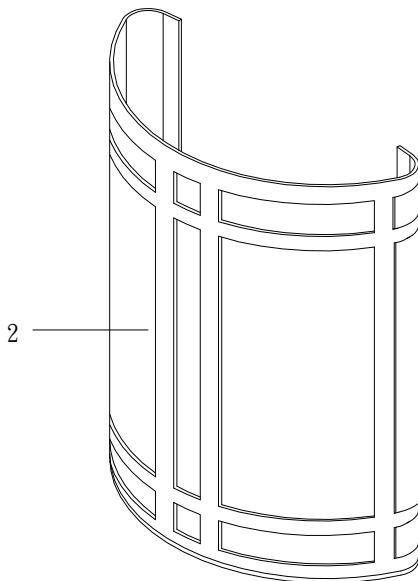
Turn off the main power at the circuit breaker before installing the fixture, In order to prevent possible shock.

GENERAL

All electrical connections must be in accordance with local and national electrical code (N.E.C) standards. If you are unfamiliar with proper electrical wiring connections obtain the services of a qualified electrician.

Remove the fixture and the mounting package from the box and make sure that no parts are missing by referencing the illustrations on the installation instruction.

ASSEMBLY AND INSTALLATION

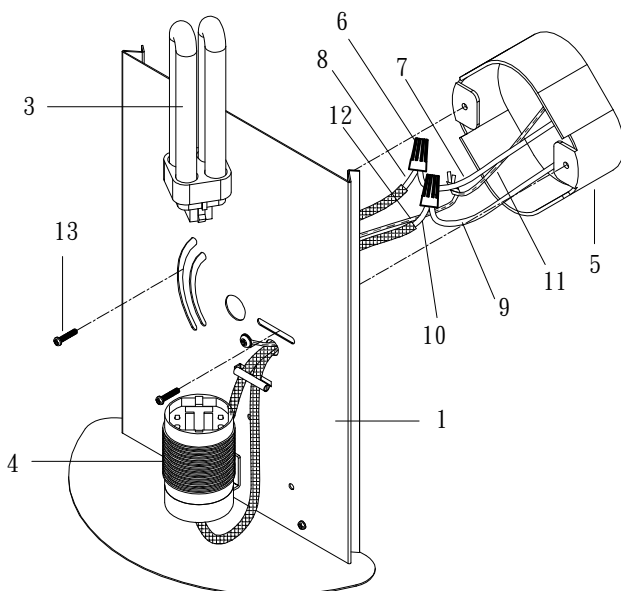


1. Pull the acrylic lens(2) out from the fixture Pan(1).
2. Take the lamp(3) out from the socket(4).
3. Pull the supply wires(7&9) and the house ground wire (11) out from the outlet box(5).
4. Make the wiring connections: connect the white supply wire(7) to the white fixture wire(8); connect the black supply wire(9) to the black fixture wire(10); connect the house ground wire(11) to the fixture ground wire(12) using wire connectors(6).
5. Carefully tuck all wires back into the outlet box(5). Locate the fixture pan(1) over the outlet box(5). put the mounting screws(13) through the slots on the fixture pan. Then secure the mounting screws to the outlet box tightly.

6. Now you are ready to install the lamp. Install MAX CFQ 18W QUAD 4 PINS lamp. Do not exceed recommended maximum wattage.

7. Put the acrylic lens over the fixture pan by sliding into the edge of the fixture pan(1).

INSTALLATION IS NOW COMPLETED



1. FIXTURE PAN
2. ACRYLIC LENS
3. LAMP
4. SOCKET
5. OUTLET BOX
6. WIRE CONNECTORS
7. WHITE SUPPLY WIRE
8. WHITE FIXTURE WIRE
9. BLACK SUPPLY WIRE
10. BLACK FIXTURE WIRE
11. HOUSE GROUND WIRE
12. FIXTURE GROUND WIRE
13. MOUNTING SCREWS