

# W A L L M O N O R A I L

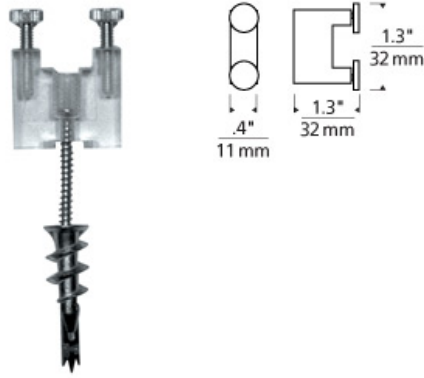
## Wall MonoRail Standoff

### DESCRIPTION

Special Wall MonoRail standoff positions rail 1" from the wall.  
Order one for every three feet of run and at corners.

### WEIGHT

0.1lb / 0.05kg ±



### ORDERING INFORMATION

700WMOS LENGTH (A)

FINISH

01 1"

Z ANTIQUE BRONZE

C CHROME

S SATIN NICKEL



**TECH LIGHTING®**

7400 Linder Avenue  
Skokie, Illinois 60077

T 847.410.4400  
F 847.410.4500

**Tech Lighting, L.L.C.**

700WMOS \_\_\_\_\_

FIXTURE TYPE: \_\_\_\_\_

JOB NAME: \_\_\_\_\_

NOTES: \_\_\_\_\_

\_\_\_\_\_

\_\_\_\_\_



©2014 Tech Lighting, L.L.C. All Rights Reserved. The "Tech Lighting" graphic is a registered trademark of Tech Lighting, L.L.C.  
Tech Lighting reserves the right to change specifications for product improvements without notification.