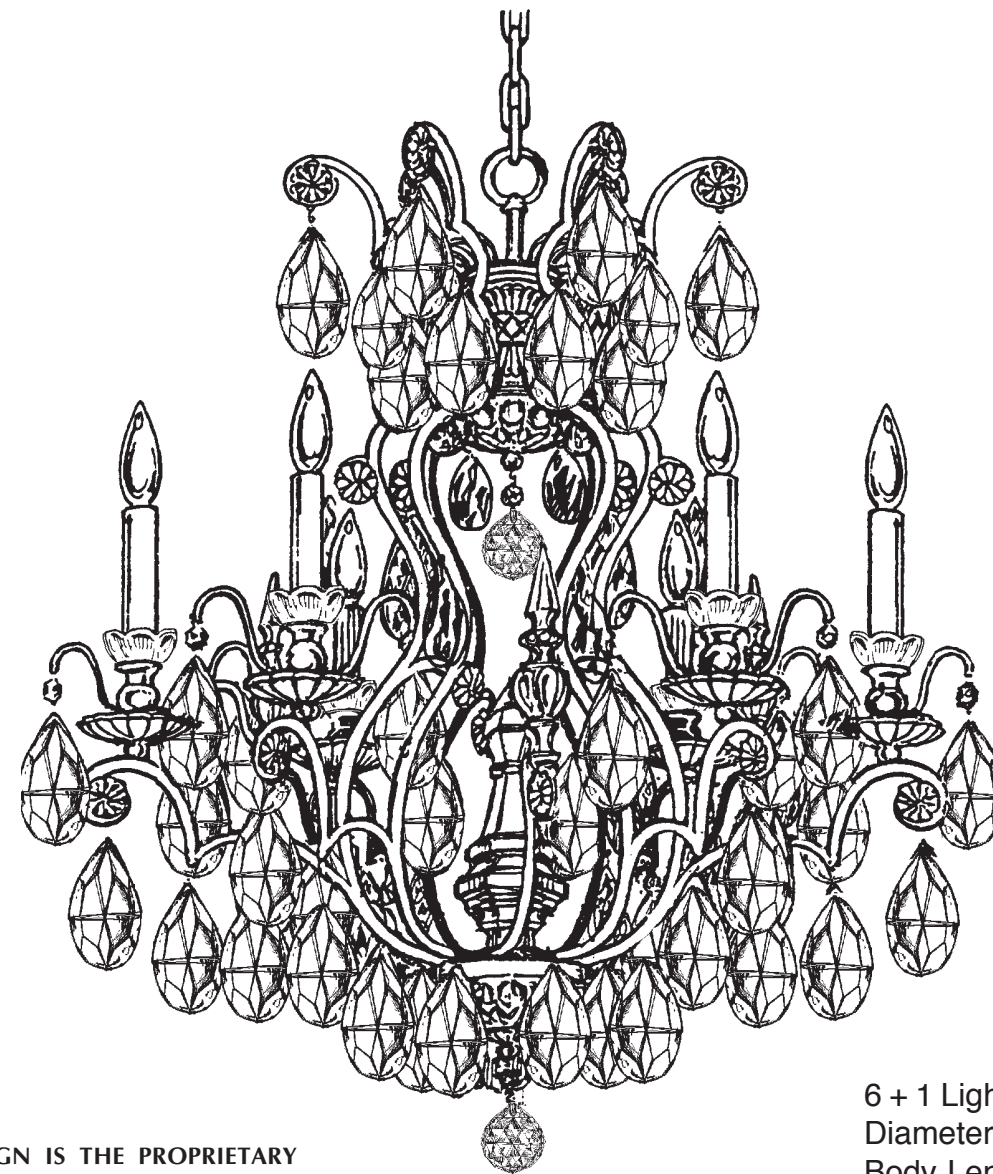




**SCHONBEK®**

**RENAISSANCE 3770- \_\_ \_\_ TK**



**T**HIS DESIGN IS THE PROPRIETARY TRADE DRESS/TRADemark OF SWAROVSKI LIGHTING, LTD.

6 + 1 Lights  
Diameter: 23-1/2"  
Body Length: 27"  
Hanging Weight: 29 lbs.

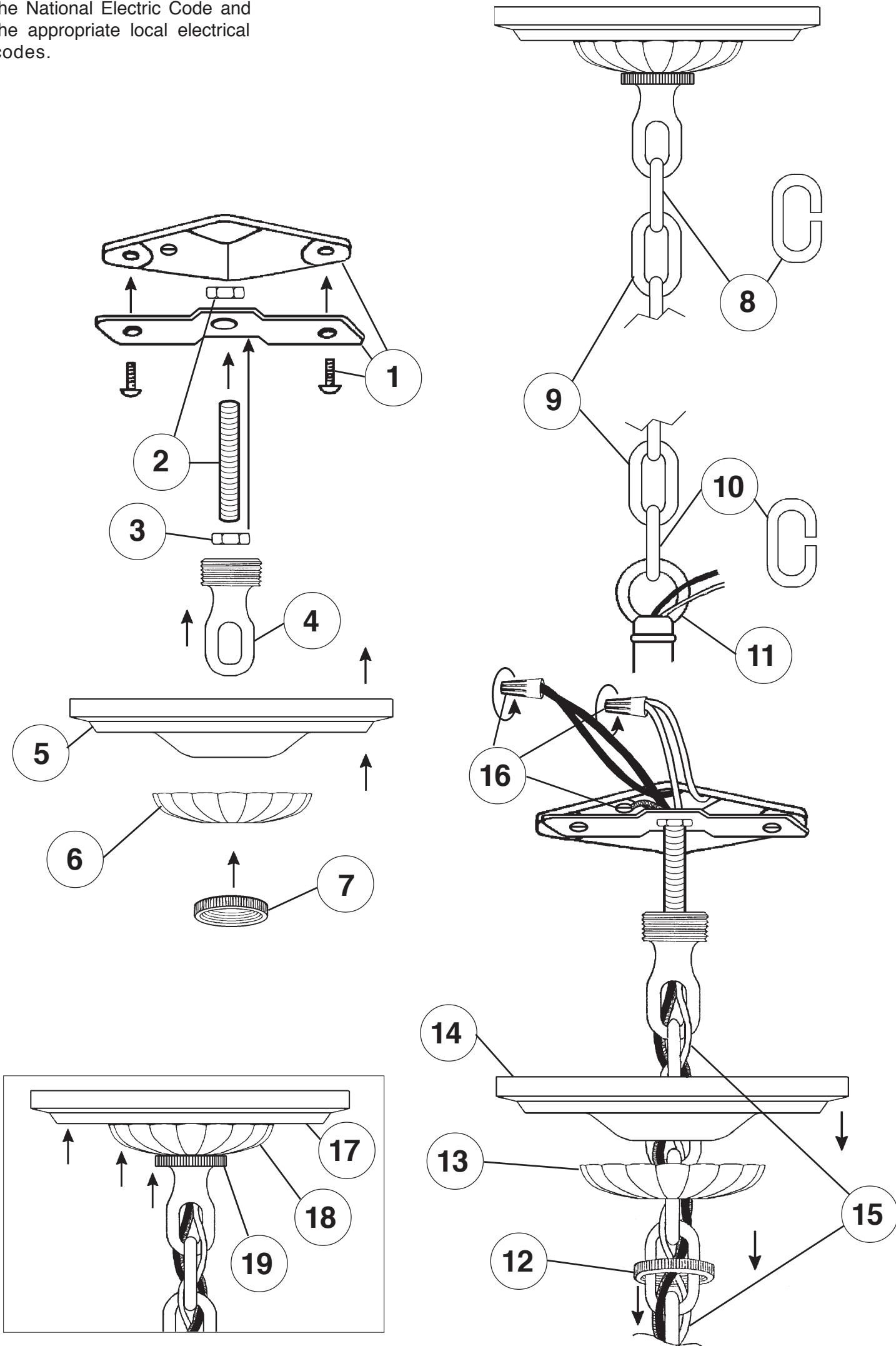


**SCHONBEK®**

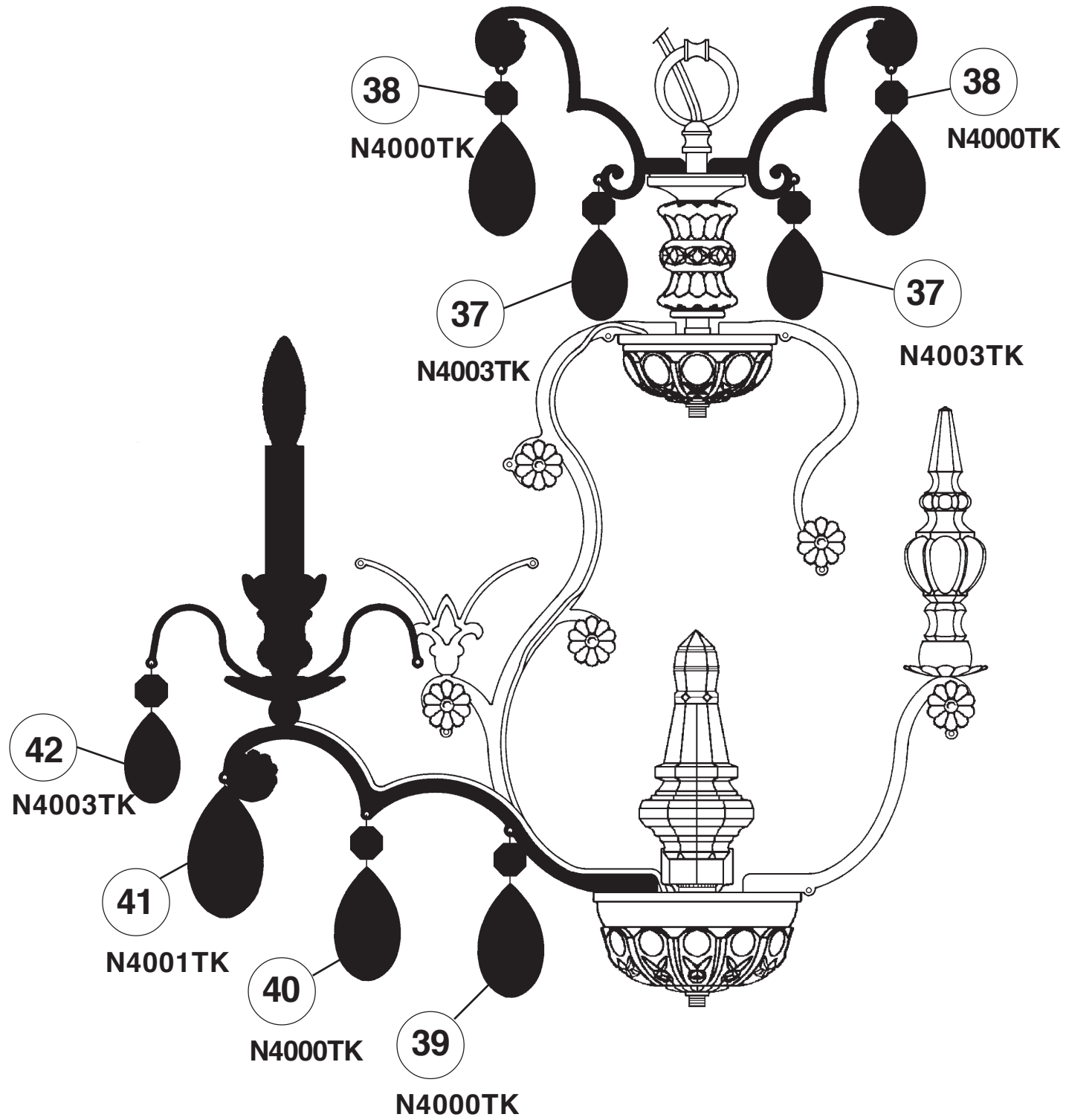
MAX 60 W	MAX 15 W	110-120 V					

SCHONBEK® is a member of the Swarovski group.

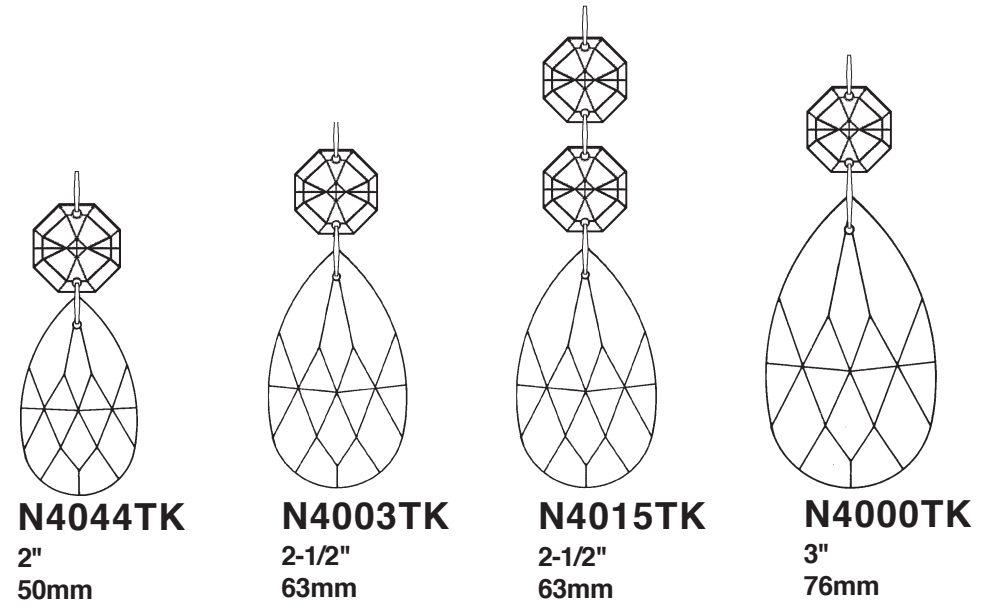
All electrical components must be installed by a licensed electrician in accordance with the National Electric Code and the appropriate local electrical codes.



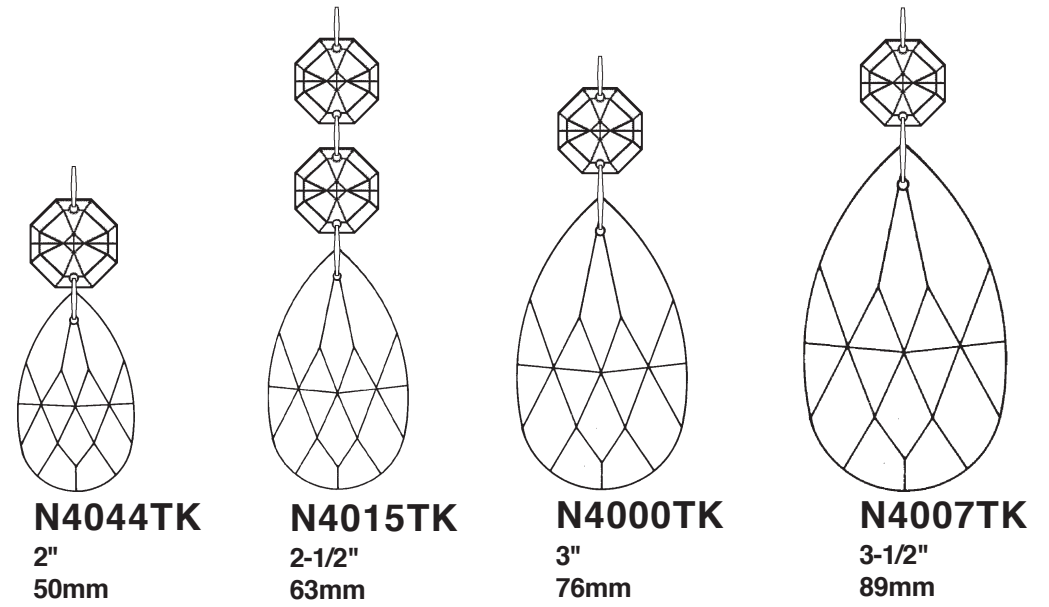
**Crystal Set #3 in Black**



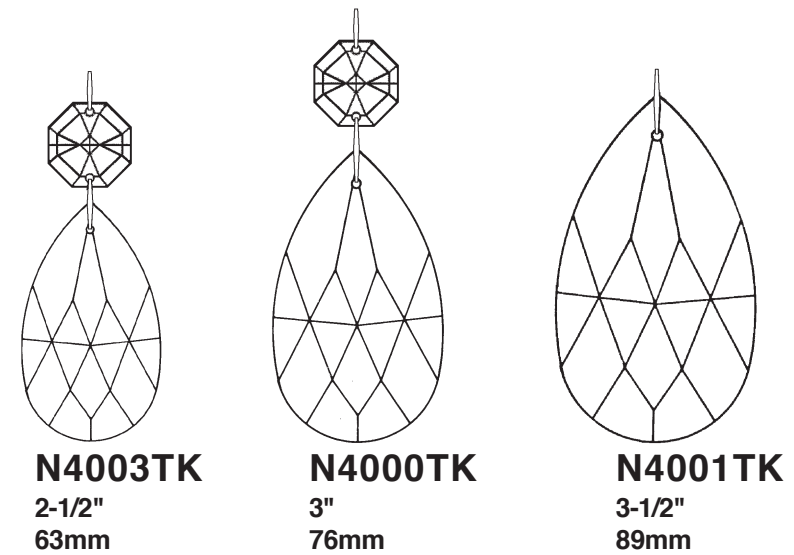
**SET #1**

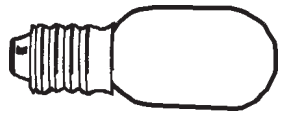


**SET #2**



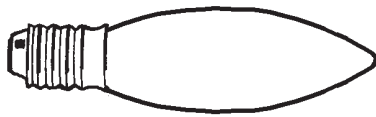
**SET #3**





You will need 1 - T7  
15 Watts Max  
(Center Light)

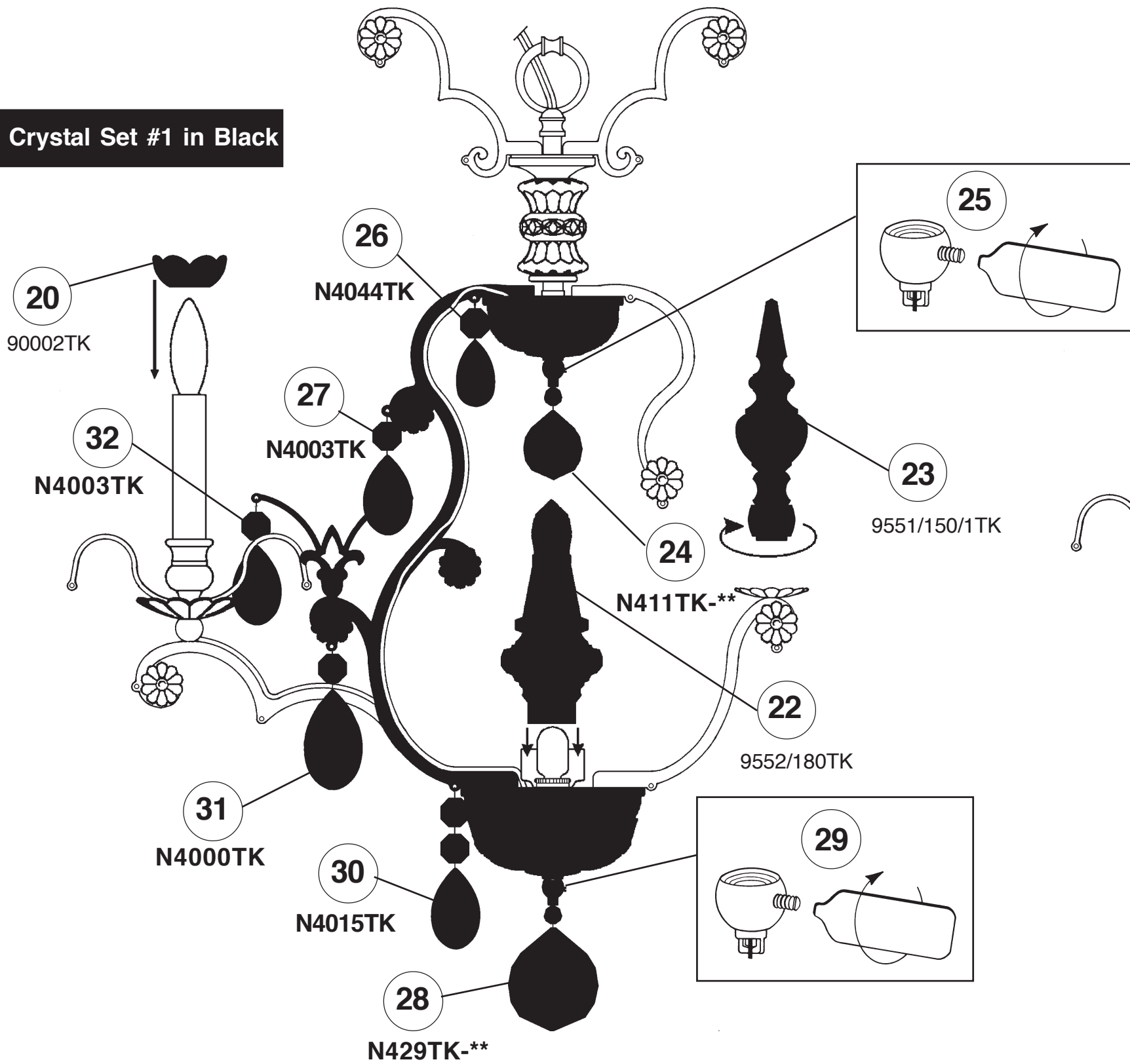
21



You will need 6 - B10  
25 Watts Recommended  
60 Watts Max

Install bulbs and be sure  
to test fixture BEFORE  
trimming.

### Crystal Set #1 in Black



### Crystal Set #2 in Black

