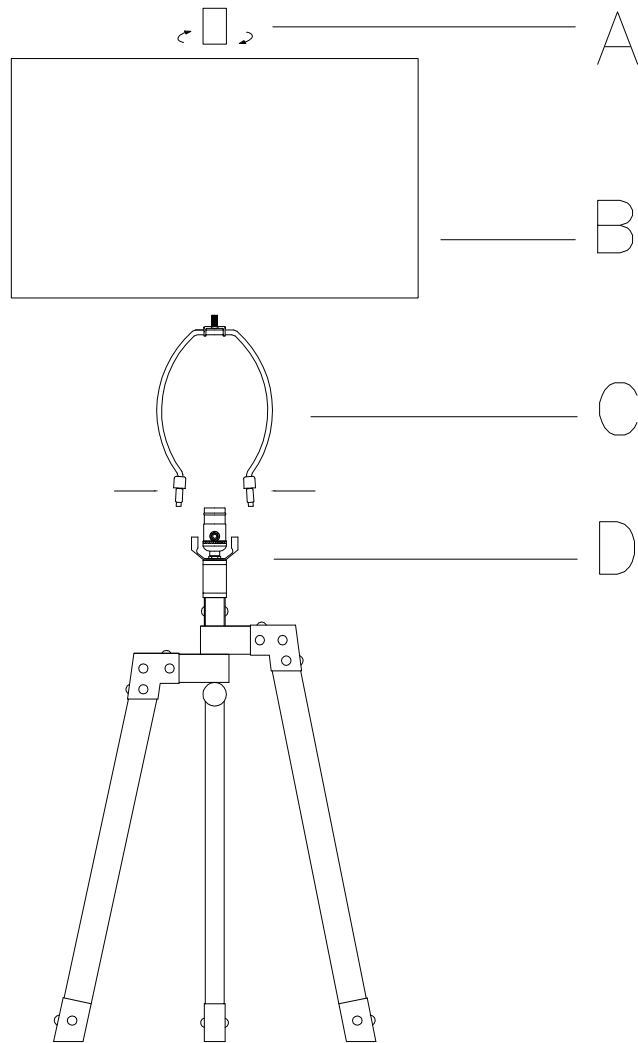


ASSEMBLY INSTRUCTIONS:



1. UNPACK ALL PARTS FROM CARTON CAREFULLY;
2. ATTACH HARP (C) TO THE SADDLE OF HOLDER (D) ;
3. PLACE SHADE (B) ONTO HARP (C) AND THREAD FINIAL (A) CLOCKWISE TO SECURE THE SHADE (B)