

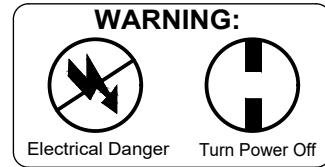
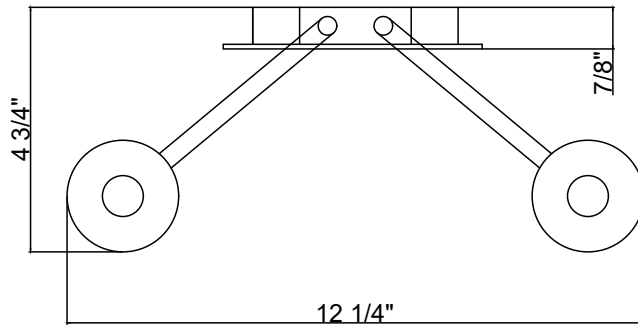
# CRYSTORAMA



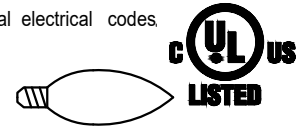
Crystorama.com

LIGHTING THE WAY FOR SIXTY YEARS

## ASSEMBLY INSTRUCTION MODEL #DEL-90802-AG



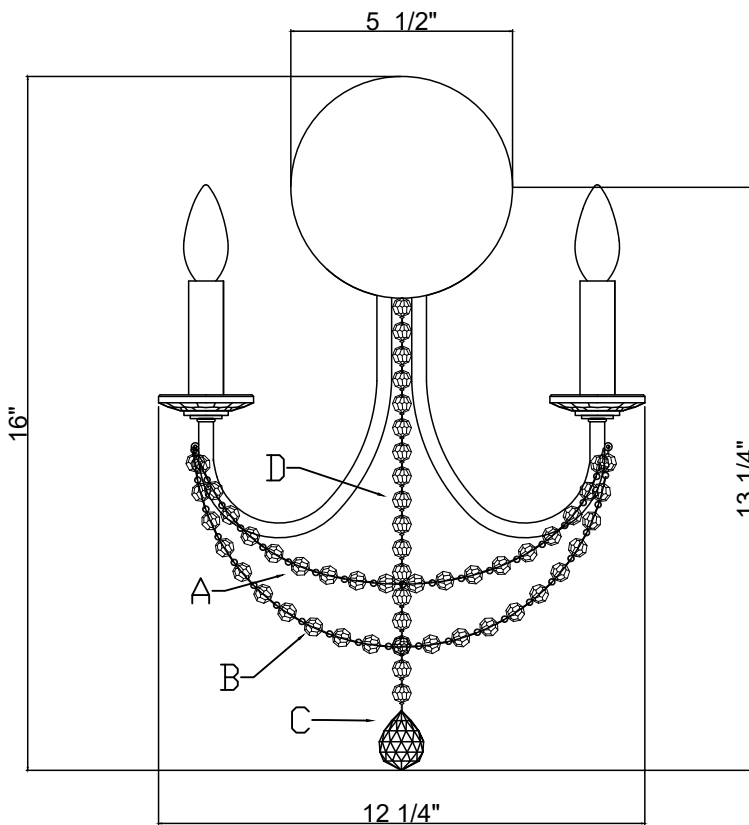
All electrical components must be installed by a licensed electrician in accordance with the National Electric Code and the appropriate local electrical codes.



You will need 2- Candelabra Base Bulb  
40 Watts recommended 60 Watts Max.

USE LED BULBS FOR EXTENDED USE

The fixture is Damp rated



### HOW TO INSTALL:

Place the fixture parts on a soft cloth-covered platform before installation of fixture.

1. Install the mounting plate onto the outlet box.
2. Place the backplate over the mounting plate and secure with the screws.
3. Place the candle sleeve and crystal bobèche over the socket.
4. Dress the crystals as illustrated.

### Crystal Sets

- A. 1 Piece. 280mm long bead string--(10mm bead\*18pcs)
- B. 1 Piece. 330mm long bead string--(10mm bead\*21pcs)
- C. 1 Piece. (1) AS8-30mm Ball
- D. 1 Piece. 220mm long bead string--(10mm bead\*15pcs)

**WARNING:** This product can expose you to Lead, which is known to the State of California to cause cancer and/or birth defects or reproductive harm. For more information go to [www.p65warnings.ca.gov](http://www.p65warnings.ca.gov)

# CRYSTORAMA



Crystorama.com

LIGHTING THE WAY FOR SIXTY YEARS

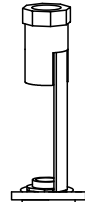
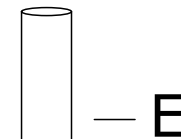
## ASSEMBLY INSTRUCTION MODEL #DEL-90802-AG

### Part Number

#### Part Numbers

- A. (2)-Machine screw
- B. (1)-Mounting Plate
- C. (1)-Frame
- D. (2)-Screw
- E. (2)-Candle Sleeve;H3",W 7/8"  
-XSN90802AGCDL3.23IN
- F. (2)-Crystal Bobeche;Ø2 3/8",H3/8";  
23mm center hole.  
-XSN90802BOB2.4IN
- G. (1)-Backplate ; Ø5.5"xD7/8"  
-XSN90802AGBKP5.5IN

(Bulb not included)



Outlet Box

