



CAL LIGHTING

3625 E. Philadelphia St. Ontario CA. 91761 • Tel: 909.947.5200 • Fax:
909.947.5673 • www.calighting.com • service@calighting.com •
Specifications subject to change without notice

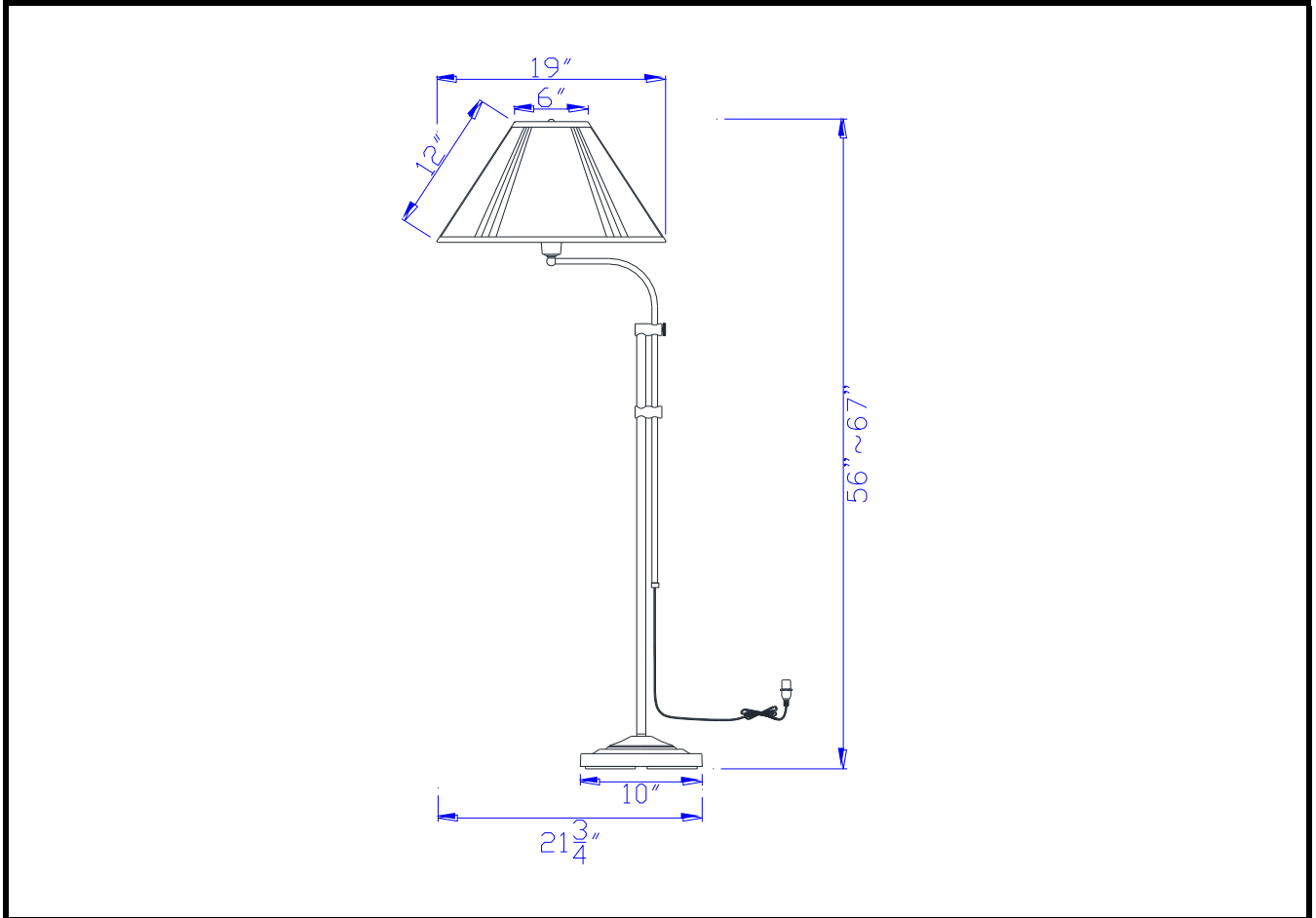
Type: _____

Project: _____

Catalog No.: _____

Lamp/Wattage: _____

Drawing:



- Model No:** BO-216
- Description:** Pharmacy Floor Lamp with Adjustable Pole
- Material:** Metal
- Finish :** RU (Rust)
- Height:** 67 1/2"
- Base Width:** 10"
- Wattage :** 150W
- Socket :** Medium Base (E27)
- Switch:** 3 way
- Bulb:** Incandescent, CFL
- Wire length:** 6'
- Wire Color:** Brown
- Shade No:** SH-4300-KF
- Material:** Paper
- Shade size:** 6"x19"x12"

Certificate :

