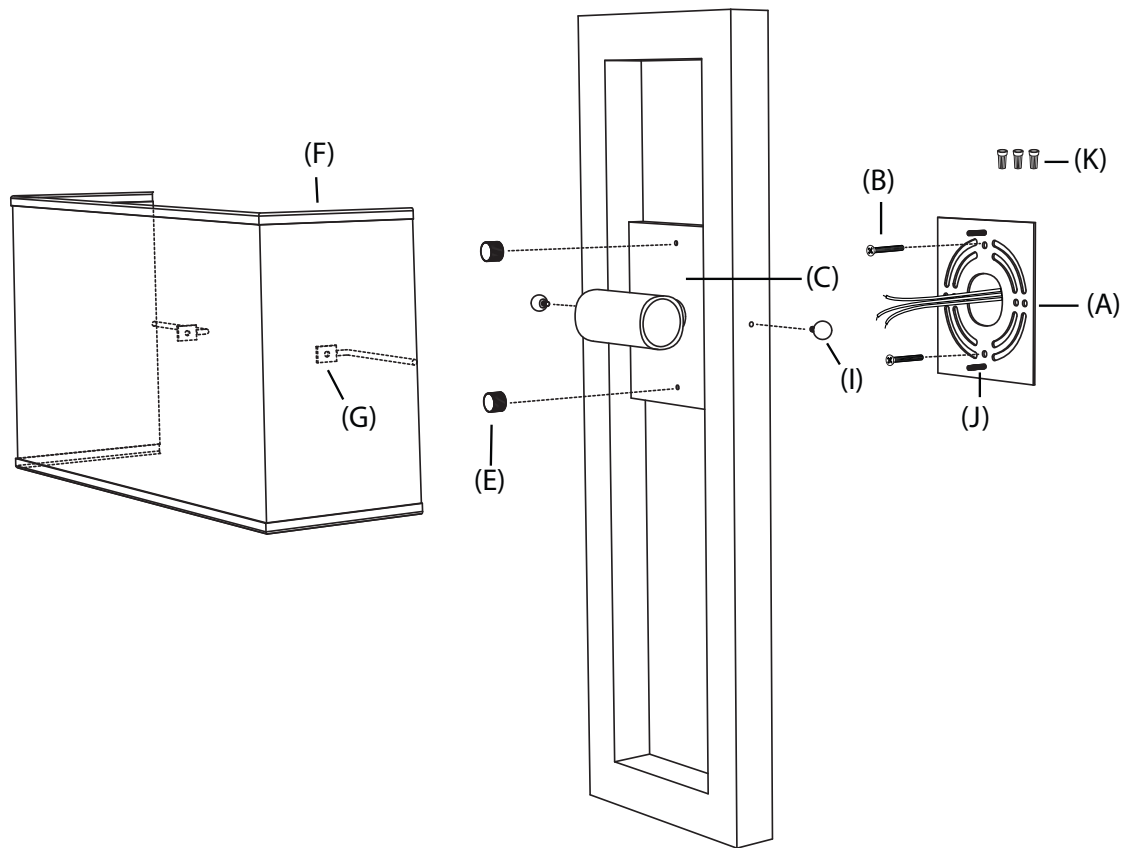


## ASSEMBLY INSTRUCTIONS FOR YOUR DOUGHNUT WALL SCONCE



### IMPORTANT SAFETY INSTRUCTIONS:

- \* These instructions are provided for your safety.
- \* It is very important that they are read completely before beginning the installation of your fixture.
- \* **WE STRONGLY RECOMMEND INSTALLATION BY A LICENSED ELECTRICIAN.**
- \* Turn off power at switch before replacing bulbs, making sure fixture has had sufficient time to cool down.
- \* This fixture is UL rated for dry locations.

### ASSEMBLY INSTRUCTIONS:

1. SHUT OFF THE MAIN ELECTRICAL SUPPLY FROM THE MAIN FUSE BOX/ CIRCUIT BREAKER.
2. Remove all parts from carton and discard packing materials. Place the parts on a level surface.
3. Remove decorative nuts (I) from backplate (C). Set decorative nuts (I) aside.
4. Remove mounting plate (A) from backplate (C) by unthreading decorative nuts (E). Set decorative nuts (E) aside.
5. Carefully pull wires from the wall outlet box and thread them through the center hole in mounting plate (A).
6. Affix mounting plate (A) to wall outlet box with mounting screws (B) provided.
7. Lift the fixture to the mounting plate and make the proper electrical connections noted in steps 8 through 10. A LICENSED ELECTRICIAN IS RECOMMENDED.
8. Attach ground wire from fixture (green or copper in color) to ground wire from outlet box. Fasten wires together with wire nut (K) and tightly wrap connection with electrical tape.
9. Attach hot wire from fixture (black in color or smooth side of wire) to hot wire from outlet box. Fasten wires together with wire nut (K) and tightly wrap connection with electrical tape.
10. Attach neutral wire from fixture (white in color or ribbed side of wire) to neutral wire from outlet box. Fasten wires together with wire nut (K) and tightly wrap connection with electrical tape. Gently push wire connections back into the wall outlet box.
11. Place backplate (C) over mounting plate (A). Thread decorative nuts (E) back onto threaded tubes (J) to secure backplate to the mounting surface.
12. Install two 25W MAX. Type B, medium base bulbs into the sockets.
13. Place shade (F) over backplate (C), aligning tabs (G) with holes in sides of the backplate (C). Thread decorative nuts (I) through tabs (G) and into holes in backplate (C). This will attach the shade to the backplate.
14. Reconnect main electrical supply at the fuse box/ circuit breaker and test the fixture.