



CAL LIGHTING

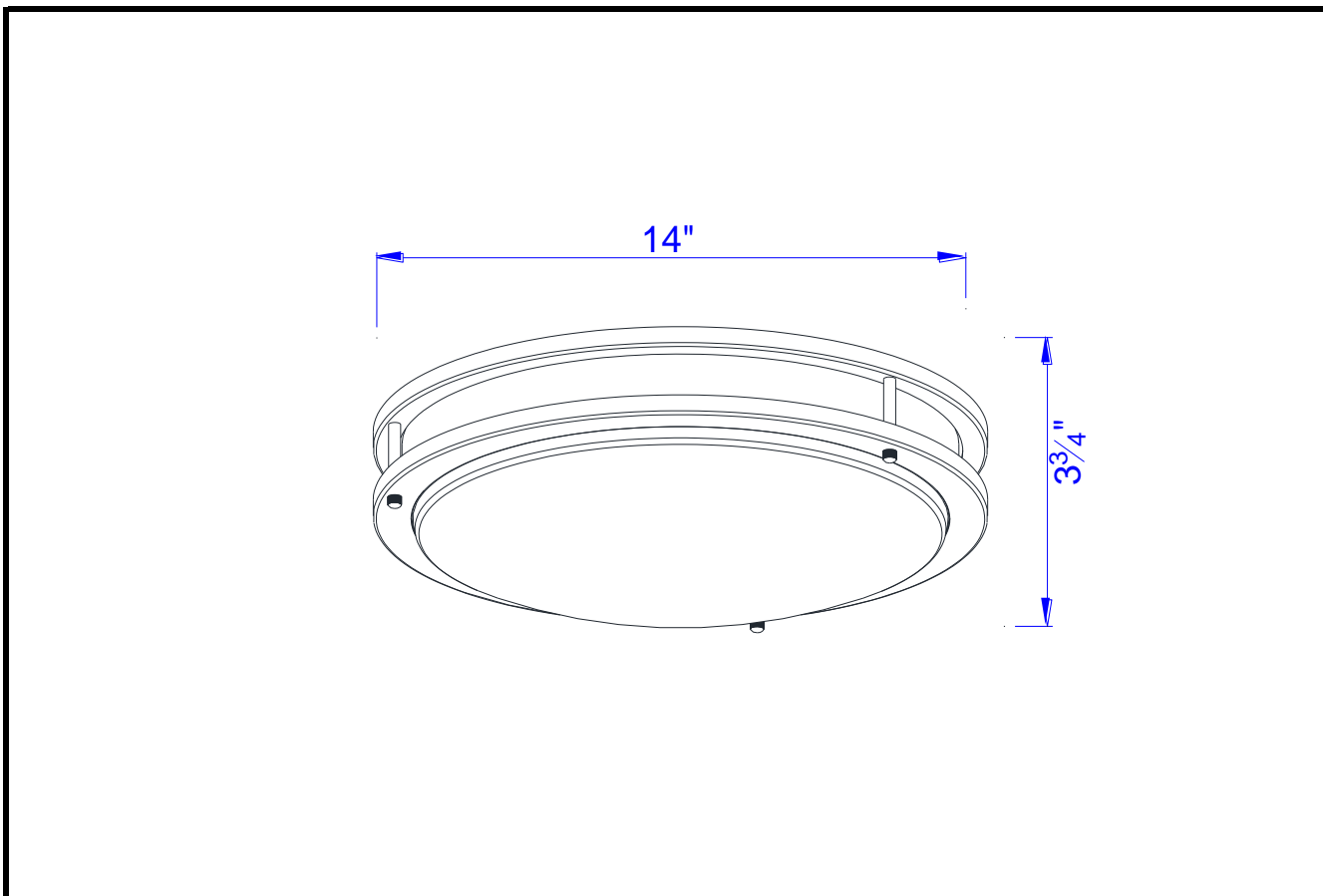
3625 E. Philadelphia St. Ontario CA. 91761 • Tel: 909.947.5200 • Fax:
909.947.5673 • www.calighting.com • service@calighting.com •
Specifications subject to change without notice

Type: _____

Project: _____

Catalog No.: _____

Lamp/Wattage: _____



Model No: LA-184-BS
Description: Ceiling Lamp
Material: Metal/Acrylic
Finish : Brushed Steel
Height: 3 3/4"
Base Width: Dia. 14"
Wattage : 23Wx2
Socket : Medium Base (E27)
Switch:
Bulb: CFL
Wire Length:
Wire Color:
Shade No:
Material:
Shade size:
Certificate :

