



TREY

902744FMM-LWD

TREY 44" LED SMART FAN

DETAILS	
FAN FINISH:	Metallic Matte Bronze
GLASS:	Etched Opal
BLADE COUNT:	3

DIMENSIONS	
WIDTH:	44"
HEIGHT:	11.8"

LIGHT SOURCE	
VOLTAGE:	120v

MOUNTING	
CANOPY:	8" Dia.
LEAD WIRE:	1 X 12"

SHIPPING	
CARTON LENGTH:	26
CARTON WIDTH:	10.8
CARTON HEIGHT:	11.8

Trey features a sleek flush mount design that packs a powerful punch. Its transitional style comes equipped with robust blades that seamlessly pair performance and precision. Trey is offered in versatile Brushed Nickel, Metallic Matte Bronze and Matte White finish options, and its integrated LED lighting and DC motor technology deliver excellent energy efficiency. A timeless etched opal light kit completes the look for a refined appearance. Trey is so versatile; it can be used for both indoor and outdoor spaces. Blades are included with every fan.

PRODUCT DETAILS:

- Suitable for use in wet (interior direct splash and outdoor direct rain or sprinkler) locations as defined by NEC and CEC. Meets United States UL Underwriters Laboratories.
- For more information on how to control your ceiling fan via the Hinkley Home Automation App, [click here](#).
- Fan Control included, HIRO Control - 6 Speed Reversing
- WiFi compatible with included fan control
- LED components carry a 5-year limited warranty
- Motor carries a lifetime warranty
- Blades, controls, switches, capacitors and hardware carry a 1-year warranty
- Merging the best of traditional and modern elements with a sophisticated and streamlined look

HINKLEY

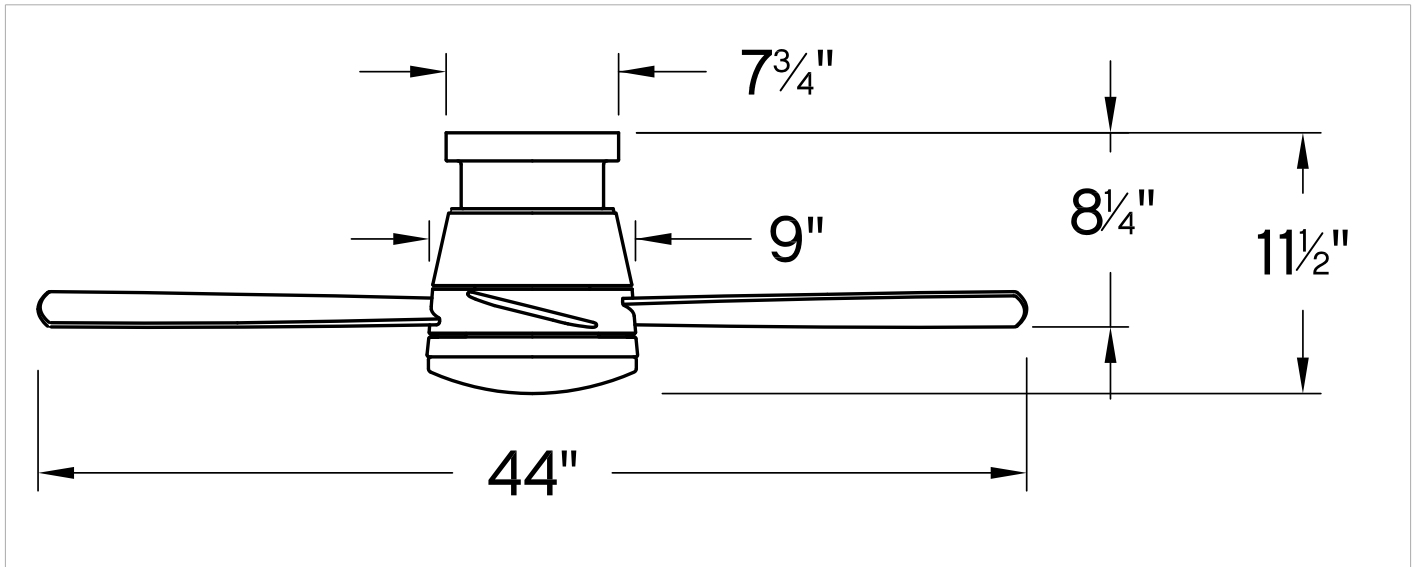
HINKLEY
33000 Pin Oak Parkway
Avon Lake, OH 44012

PHONE: (440) 653-5500
Toll Free: 1 (800) 446-5539

hinkley.com

TREY 44" LED SMART FAN

902744FMM-LWD



PERFORMANCE SPECIFICATIONS	STANDARD	
	HIGH SPEED	AVERAGE SPEED
Airflow	4842	2918
EnergyUse	31.6	19
EnergyCost	9	5
Efficiency	152	154
AMPS	0.43	0.24
RPMS	260	153

AVERAGE PERFORMANCE AND ENERGY INFORMATION

ENERGYGUIDE

Estimated Yearly Energy Cost

\$5

Cost Range of Similar Models (19" – 84")

\$3 | | | \$34

• Based on 12 cents per kWh and 6.4 hours use per day
• Your cost depends on rates and use
• Energy Use: 19 Watts

Airflow

2,918

Cubic Feet Per Minute

• The higher the airflow, the more air the fan will move
• Airflow Efficiency: 154 Cubic Feet Per Minute Per Watt

All estimates based on typical use, excluding lights ftc.gov/energy

Airflow Shown Is a Weighted Average of High and Low Cubic Feet per Minute Based on Close to Ceiling

HINKLEY

HINKLEY
33000 Pin Oak Parkway
Avon Lake, OH 44012

PHONE: (440) 653-5500
Toll Free: 1 (800) 446-5539

hinkley.com