

SAFETY INFORMATION

Please read and understand this entire manual before attempting to assemble, install or operate the product.

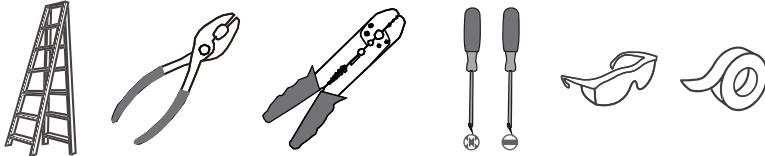
WARNING

- **RISK OF ELECTRIC SHOCK** - Before beginning installation, turn off electricity at the circuit breaker box or the main fuse box.

CAUTION

- For your safety, read instructions completely before beginning installation.
- If in doubt about electrical installation, consult a licensed electrician.

TOOLS REQUIRED



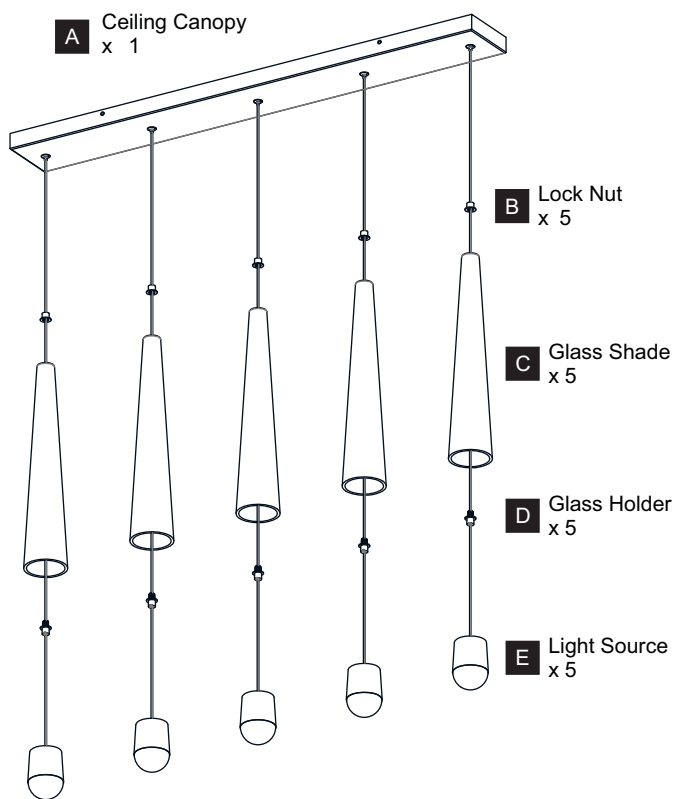
Ratings	120Vac, 60Hz	
	Model No.	Wattage
	PCZIA539SD	31W

CARE AND MAINTENANCE

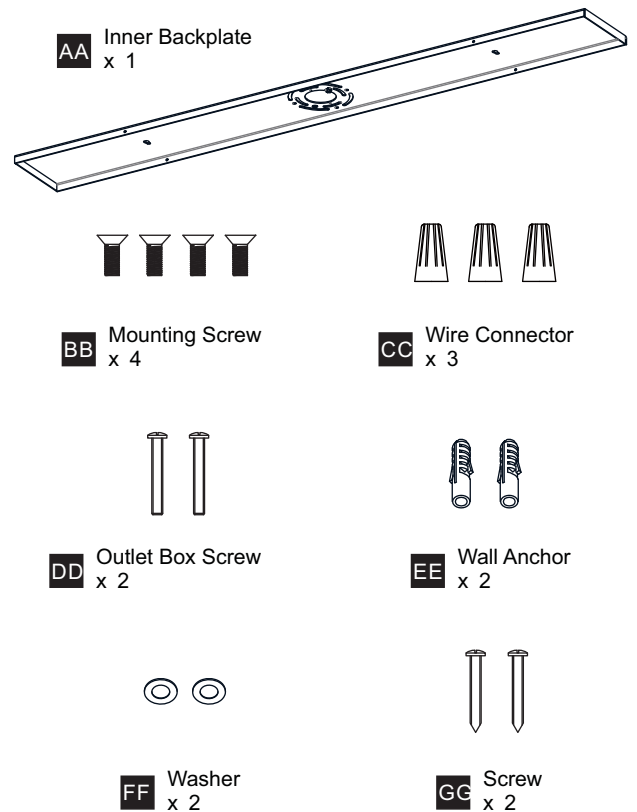
- Wipe clean using soft, dry cloth or static duster. Always avoid using harsh chemicals and abrasives to clean fixture as they may damage the finish.

If you need further assistance call Quozel Customer Care at 1-800-645-3184 (9:00am - 5:00pm EST), or visit us on-line at www.quezel.com.

PACKAGE CONTENTS

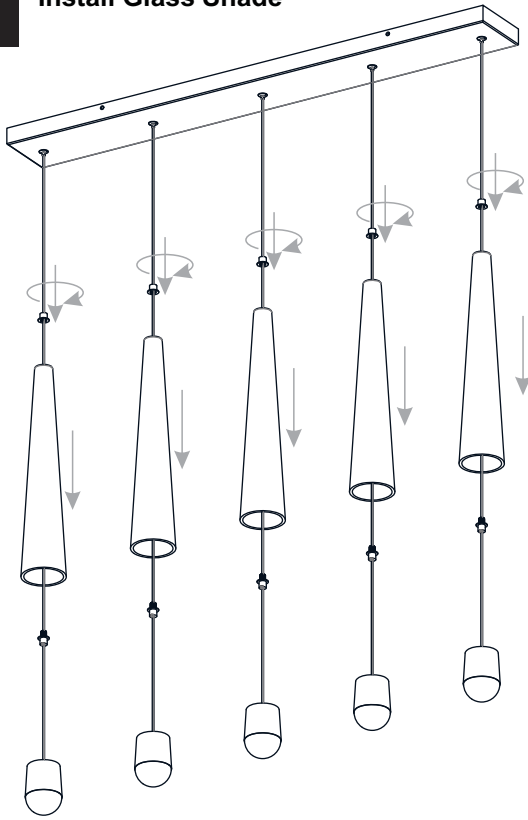


MOUNTING HARDWARE



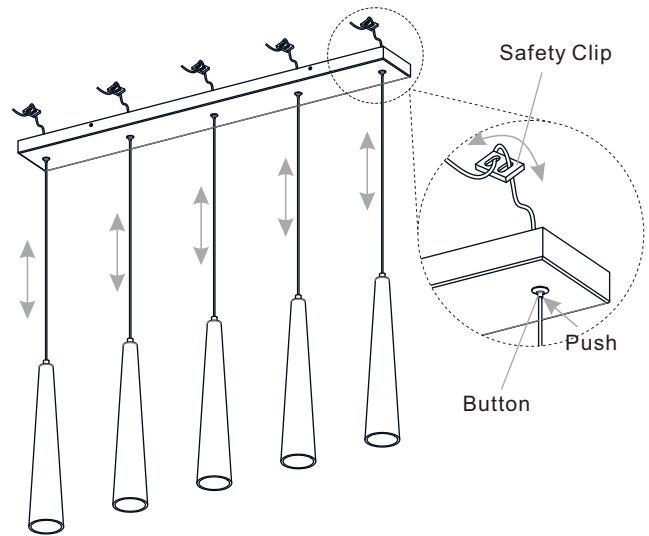
INSTALLATION

1 Install Glass Shade

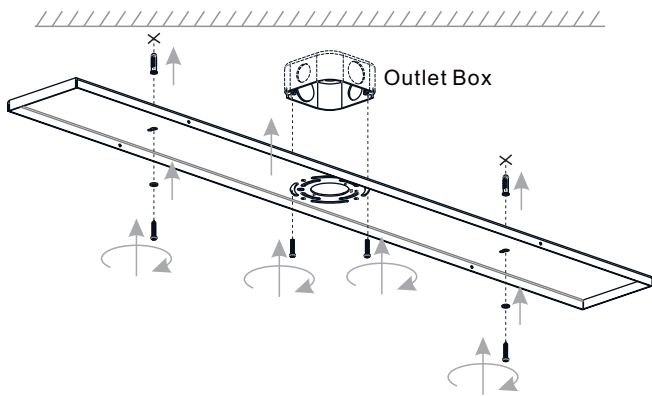


2 Adjust Cord Length: Fixture Height Adjustable 21.75" to 107.25"

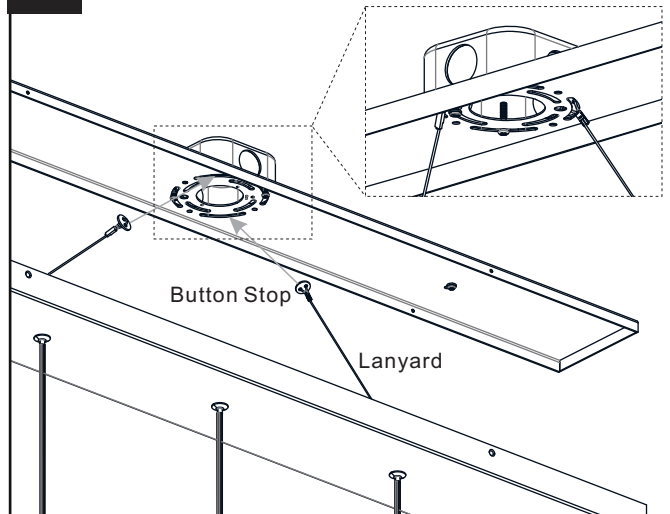
Push the button on the bottom of the ceiling canopy and slide the safety clip to adjust the cord length according to desired hanging height.



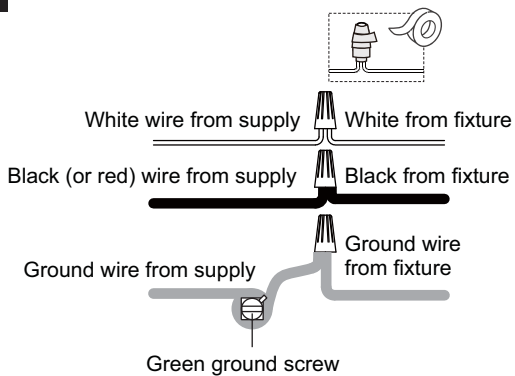
3 Install Inner Backplate



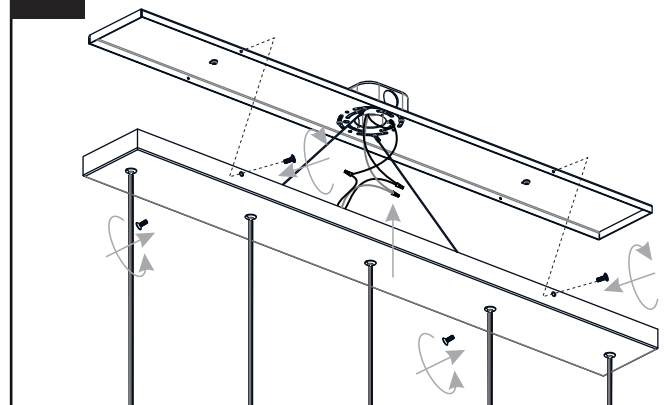
4 Install Lanyards



5 Wiring



6 Install Ceiling Canopy



Your installation is now complete! Restore electricity and save this sheet for future reference.