



# CAL LIGHTING

3625 E. Philadelphia St. Ontario CA. 91761 • Tel: 909.947.5200 • Fax:  
909.947.5673 • www.calighting.com • service@calighting.com •  
Specifications subject to change without notice

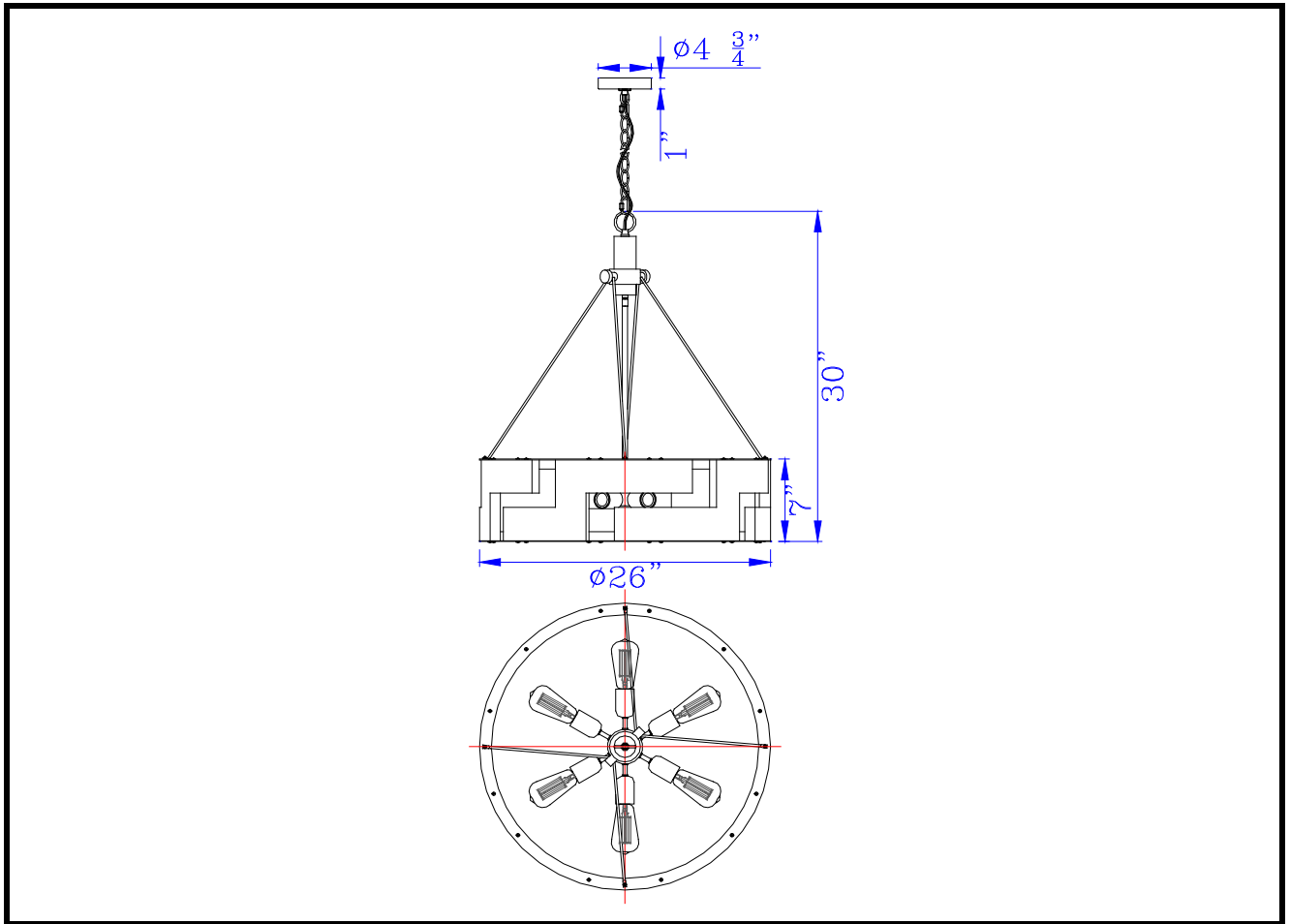
Type: \_\_\_\_\_

Project: \_\_\_\_\_

Catalog No.: \_\_\_\_\_

Lamp/Wattage: \_\_\_\_\_

Drawing:



**Model No:** FX-3670-6  
**Description:** 60W x 6 Bradford metal and wood chandelier  
**Material:** Metal / Wood  
**Finish :** Smoky wood  
**Height:** 30"  
**Width:** 26"  
**Wattage :** 60WX6  
**Socket :** Medium Base (E26)  
**Bulb:** Incandescent  
**Chain Length:**  
**Wire Length:** 6'  
**Wire Color:** Black  
**Shade No:** None  
**Material:** None  
**Shade size:** None  
**Certificate :** 