

## Shells

### 3546, 3548

Small, Large  
LED Pendant

## Product Information and Warnings

### IMPORTANT

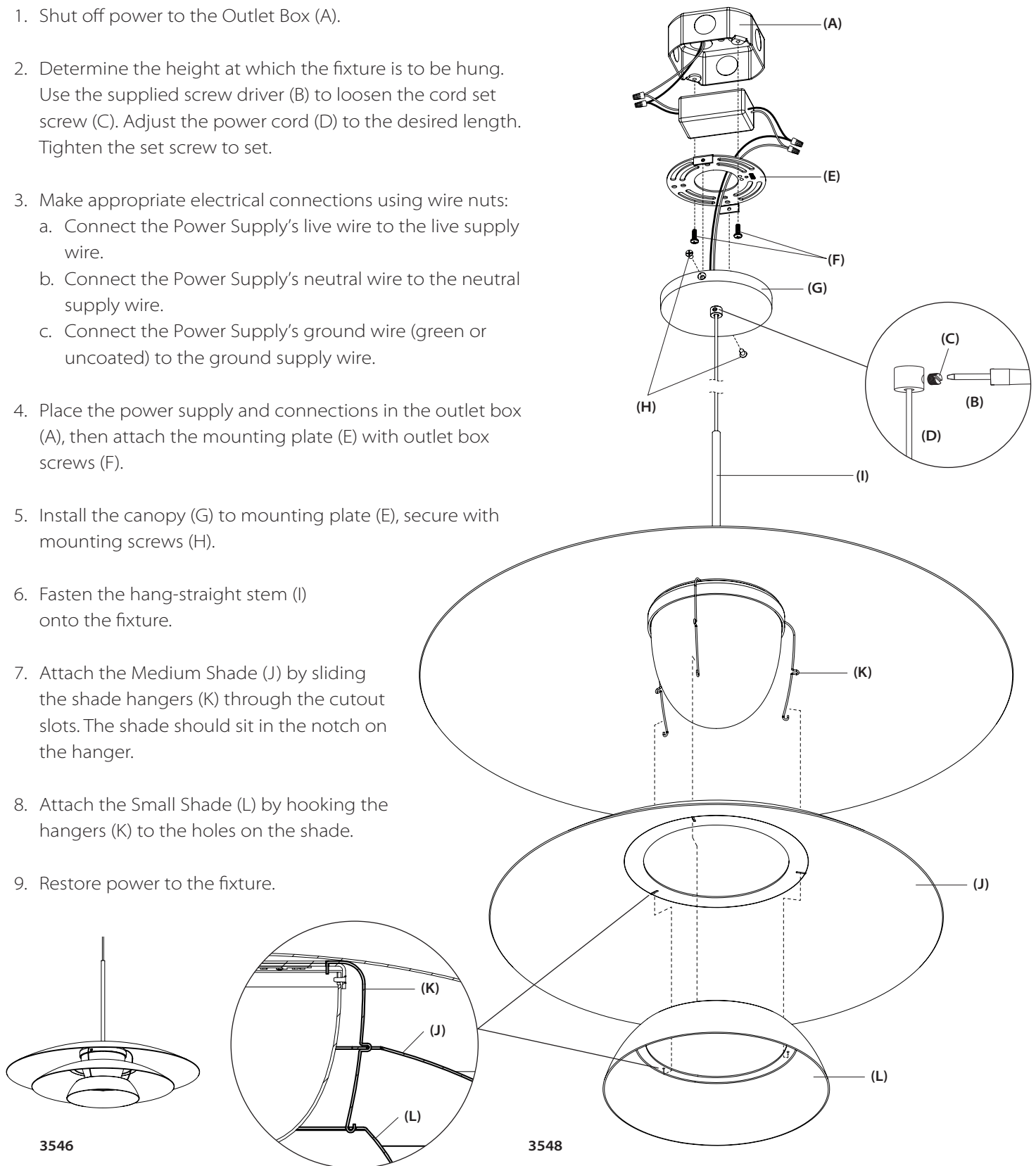
- **Always disconnect the power before installing or replacing Luminaires and before cleaning or other maintenance.**
- **Consult a qualified, licensed electrician to ensure correct branch circuit conductor.**
- ***Consulter un électricien qualifié pour vous assurer que les conducteurs de la dérivation sont adéquats.***
- Please read all included assembly instructions and warnings carefully before installation. Contact Customer Service if you have any questions or concerns. Before installation, please confirm that the fixture is compatible with your supply voltage and dimming system, if present.
- LEDs are highly sensitive electronic devices, and must be treated with care. Do not open any factory sealed compartments, and avoid touching the LEDs with your hands or any object.
- Although all our fixtures are equipped with protective devices, LED electronic systems are vulnerable to power surges and supply variations. Do not install LED fixtures on the same circuit as any motors, appliances, or HVAC systems.
- Do not remove or bypass any LED Driver or Transformer that is provided with the fixture, and do not replace or substitute with another power supply.
- Fixtures must be wired in parallel on independent leads; do not "daisy chain" multiple fixtures together or wire them in series.
- All factory-made splices and connections must remain intact. LED circuits are carefully designed and built, and improper connections may damage the fixture.
- The ends of coaxial pendant cords have been precisely stripped and split at the factory and must not be field cut. Excess cord or cable should be neatly coiled and reserved in the fixture canopy.
- Any mounting hardware is provided for your convenience and should be used with discretion. Always use the appropriate hardware for the mounting surface.

# Assembly Instructions

## Instructions D'Installation

SONNEMAN<sup>®</sup>  
A WAY OF LIGHT

1. Shut off power to the Outlet Box (A).
2. Determine the height at which the fixture is to be hung. Use the supplied screw driver (B) to loosen the cord set screw (C). Adjust the power cord (D) to the desired length. Tighten the set screw to set.
3. Make appropriate electrical connections using wire nuts:
  - a. Connect the Power Supply's live wire to the live supply wire.
  - b. Connect the Power Supply's neutral wire to the neutral supply wire.
  - c. Connect the Power Supply's ground wire (green or uncoated) to the ground supply wire.
4. Place the power supply and connections in the outlet box (A), then attach the mounting plate (E) with outlet box screws (F).
5. Install the canopy (G) to mounting plate (E), secure with mounting screws (H).
6. Fasten the hang-straight stem (I) onto the fixture.
7. Attach the Medium Shade (J) by sliding the shade hangers (K) through the cutout slots. The shade should sit in the notch on the hanger.
8. Attach the Small Shade (L) by hooking the hangers (K) to the holes on the shade.
9. Restore power to the fixture.



3546

3548

### Note:

**This fixture is dimmable with ELV (Trailing-Edge), Incandescent (Leading-Edge), and 0-10V type dimmers only.**

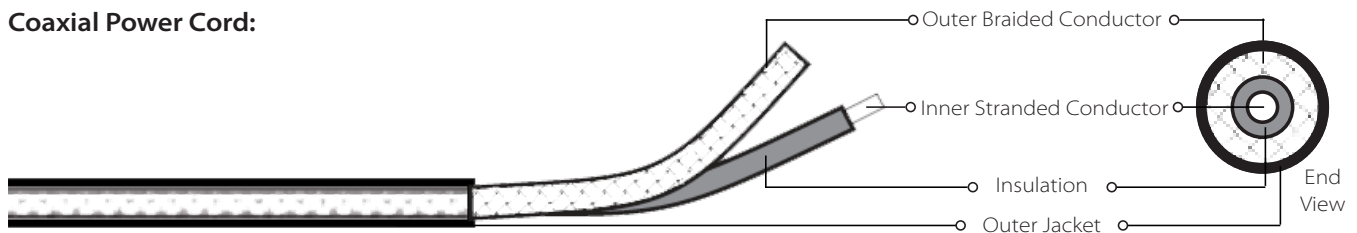
### Care Instructions:

Use a clean, dry cloth when dusting. To protect the finish, avoid any harsh abrasives or chemicals.

### Coax Splicing

**FAILURE TO FOLLOW THESE INSTRUCTIONS WILL VOID THE WARRANTY**

#### Coaxial Power Cord:



If field-cutting is required, please follow these instructions:

1. Make a 1" slice along the length of the cord's outer jacket (Fig. 1).  
**CAUTION: Do not cut through the outer braided conductor.**
2. Carefully strip the outer jacket of the cord and keep the outer braided conductors intact (Fig. 1).
3. Slide the outer braided conductor back to create a bulge and reveal the inner stranded conductor (Fig. 2).
4. Bend the cord to create an opening through the bunched-up portion of outer braided conductor, then pull out the inner stranded conductor (Fig. 3)
5. Twist together the outer braided conductor to form the negative wire of the fixture, then strip 5/8" off the end of the inner stranded conductor to form the positive wire of the fixture (Fig. 4).
6. Re-splice all power cords.

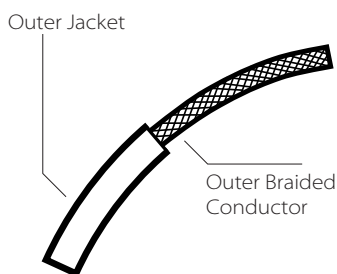


Fig. 1

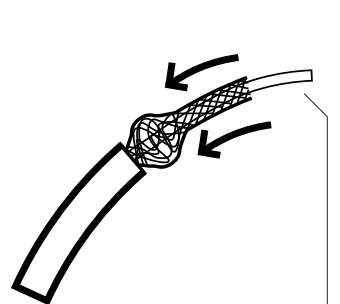


Fig. 2

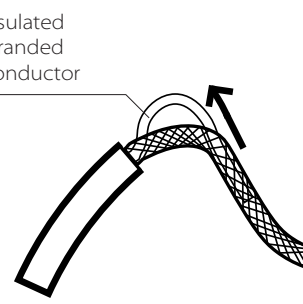


Fig. 3

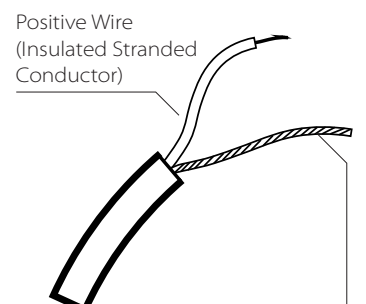


Fig. 4

Negative Wire  
(Outer Braided Conductor)