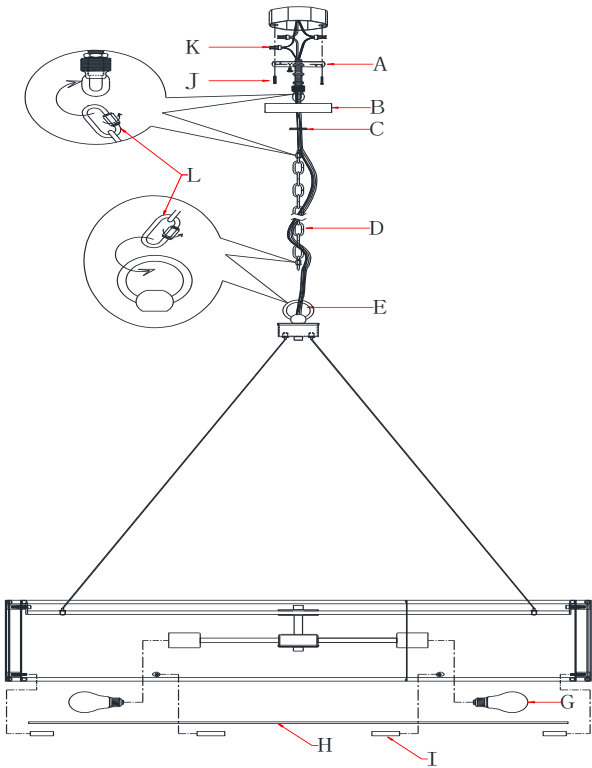


ASSEMBLY INSTRUCTIONS

ITEM DESCRIPTION:

ITEM NO.: 89702	NAME: Dante Large Chandelier
MATERIAL TYPE: Steel/Acrylic	FINISH: Antique Brass/Frosted Acrylic
SOCKET TYPE: E26	SOCKET QTY: 5
BULB WATTAGE: 60W/16W CFL/13W LED	
VOLTAGE: 110-120 V	ITEM NET WEIGHT: 57LBS



PARTS INCLUDED:

A MOUNTING PLATE	1 PC	G BULB	5 PC
B CANOPY	4 PC	H ACRYLIC DIFFUSER	1 PC
C COLLAR LOOP	1 PC	I ROD	6 PC
D CHAIN	1 PC	L HANGING LOOP	2 PC
E LOOP	1 PC		

HARDWARE INCLUDED:

K Plastic Wire Connector	Allen Wrench
J Mounting Screws	Green Ground Screw

TO INSTALL YOU WILL NEED:

- 2 people recommended
- Phillips Screwdriver

These instructions are provided for safety. It is very important that they are read carefully and completely before beginning installation of this chandelier.

We strongly suggest that all hard-wired fixtures must be installed by a professional electrician.

For customer service questions call 1-800-338-2150



TO ASSEMBLE:

1. Remove all packing contents from the carton(s) carefully. Ensure you have all parts indicated before you begin assembly.
2. Shut off the main electrical supply from the main fuse box/circuit breaker.
3. Thread top nipple of finial into bottom of fixture body.
4. Remove the mounting plate(a) from the canopy(b) by turning collar loop (c) in a counterclockwise direction.
5. Carefully inspect the fixture wires. The neutral fixture wire has very fine ridges molded into its plastic covering. The hot fixture wire has a smooth covering. The bare silver wire is the grounded wire.
6. Attach the ground wire from the fixture to the ground junction box wire from the outlet (usually green or bare wire). Fasten each together with a plastic wire connector (k) and wrap the connection with electrical tape. If your outlet box does not have a ground wire, insert the green ground screw into the mounting plate (a) facing down, and wrap the fixture's bare ground wire around the ground screw. It is imperative that the outlet box in your home be properly grounded.
7. Connect the neutral fixture wire to the neutral junction box wire (usually white). Fasten each together with a wire connector (k) and wrap the connection with electrical tape. Be sure no strands are exposed.
8. Connect the hot fixture wire to the hot junction box wire (usually black). Fasten each together with a plastic wire connector (k) and wrap the connection with electrical tape. Be sure no wire strands are exposed. Do not reverse the hot and neutral connections or safety will be compromised.
9. Gently tuck the wire connections neatly into the ceiling junction box.
10. Attach the mounting plate (a) with nipple to the ceiling outlet box using the enclosed mounting screws (j) and tighten screws with a screwdriver.
11. Push collar loop(c) in canopy (b) and thread onto nipple in mounting plate (a) by turning in a clockwise.
12. Connect the canopy(b) and collar loop with chain by hanging loop(l)
13. Connect lamp body with chain by hanging loop(l) through loop(e) and then place acrylic diffuser(h) into lamp body by screw the rod(i)
14. Place the fixture wire through chain the exit from the canopy.
15. Insert 5 type a 60w bulb (not included) into the sockets. Do not exceed specified wattage.

CARE INSTRUCTIONS:

Wipe with a soft, dry cloth. To protect finish, avoid the use of chemicals and household cleaners.

ARTERIO RS