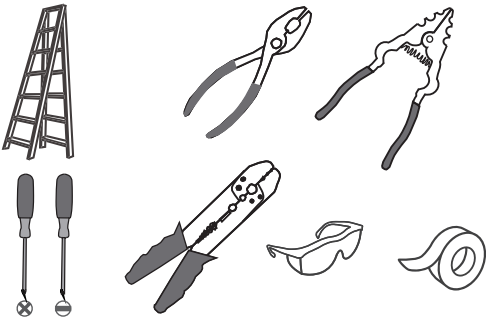
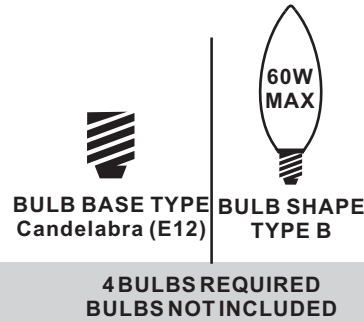


Tools Required



Light Source



Fixture Height Adjustable 27" to 123.5"

Warnings and Cautions

Turn off the electricity at the circuit breaker before installation. Consult a licensed electrician if in doubt about installation.

Turn off power to the fixture and allow the bulbs to cool before replacing.

Package Contents

Preparation: Identify and inspect all parts before beginning the installation.

Missing or damaged parts? Contact your original place of purchase.

PARTS BAG

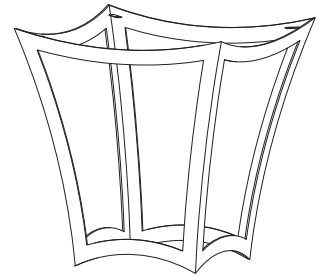
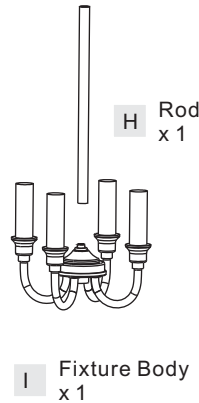
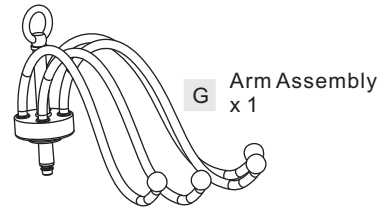
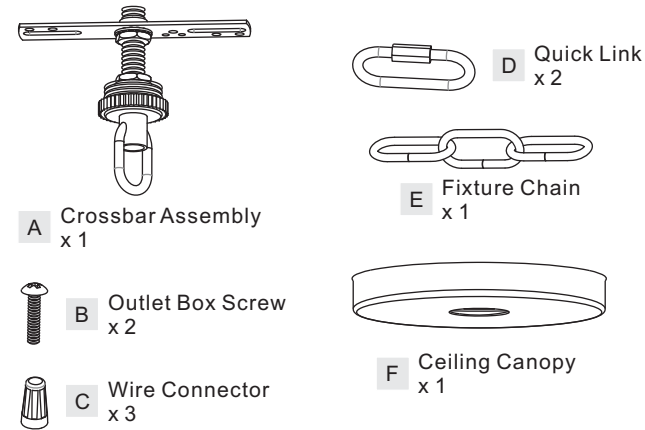
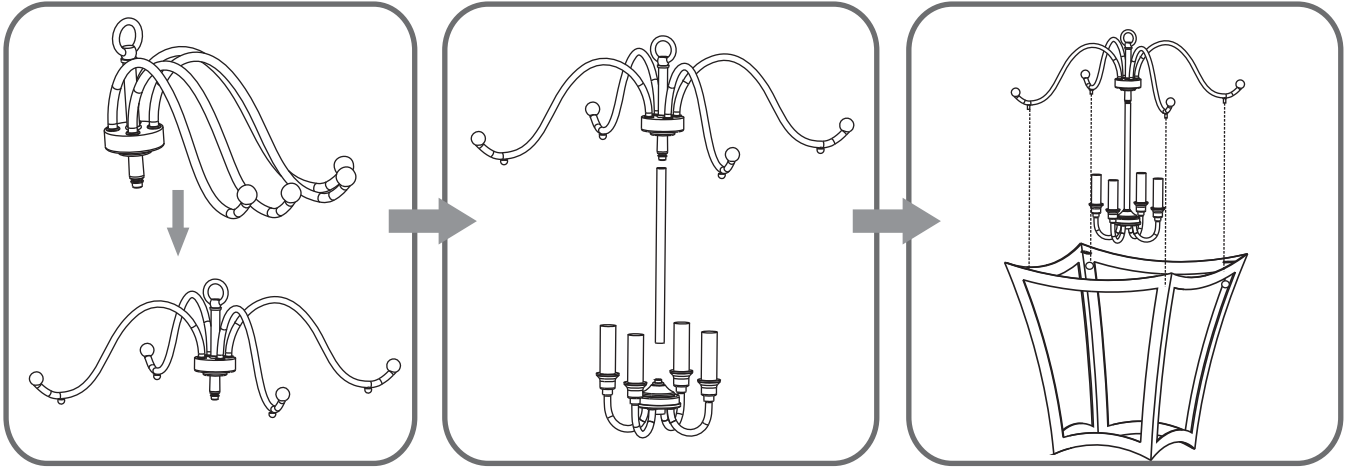


Table of Contents

| Arm Assembly | Crossbar Assembly | Fixture Chain | Wiring | Ceiling Canopy | Bulb |
|--------------|-------------------|---------------|--------|----------------|--------|
| | | | | | |
| STEP 1 | STEP 2 | STEP 3 | STEP 4 | STEP 5 | STEP 6 |

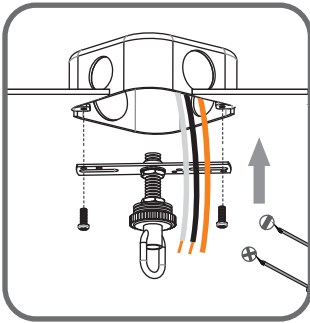
STEP 1



STEP 2

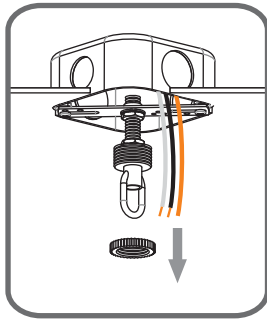
1

Step 1
Install crossbar assembly

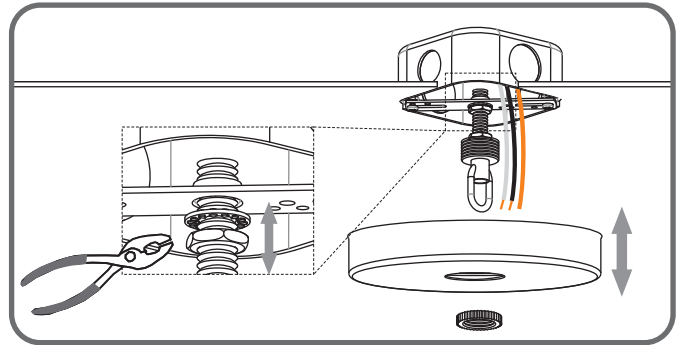


2

Step 2 - 3
Test fitting ceiling canopy to nipple



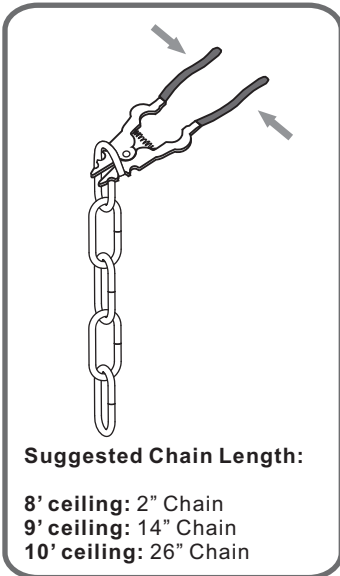
3



STEP 3

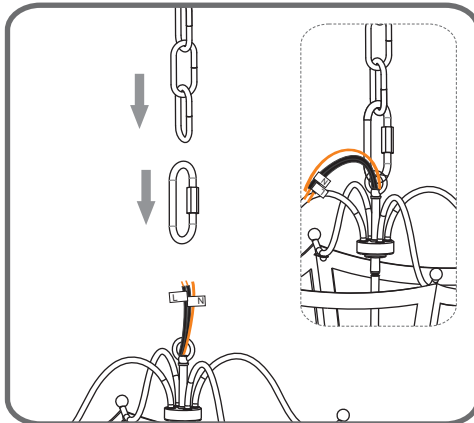
1

Step 1
Adjust fixture chain length

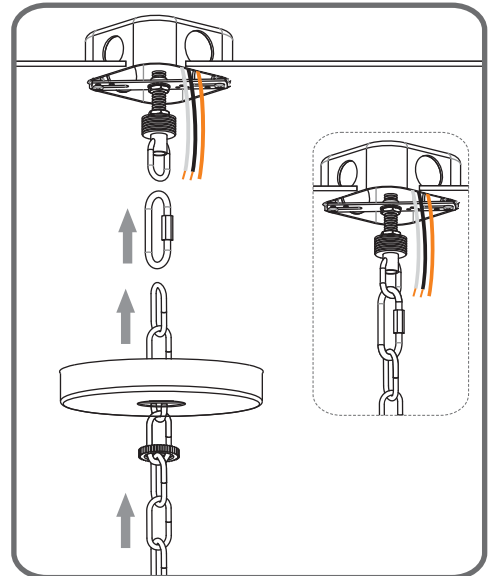


2

Step 2 - 3
Install Fixture Chain



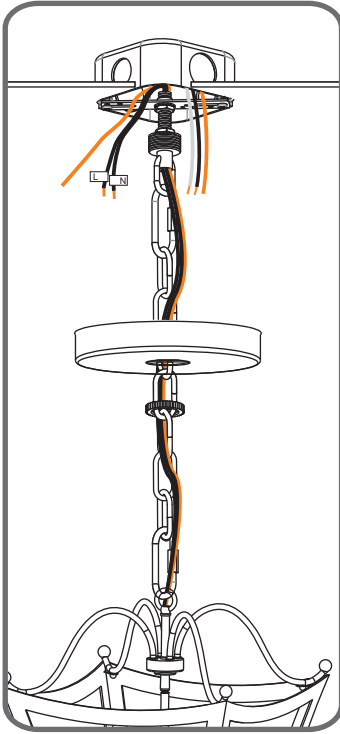
3



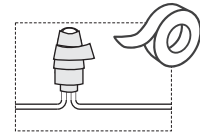
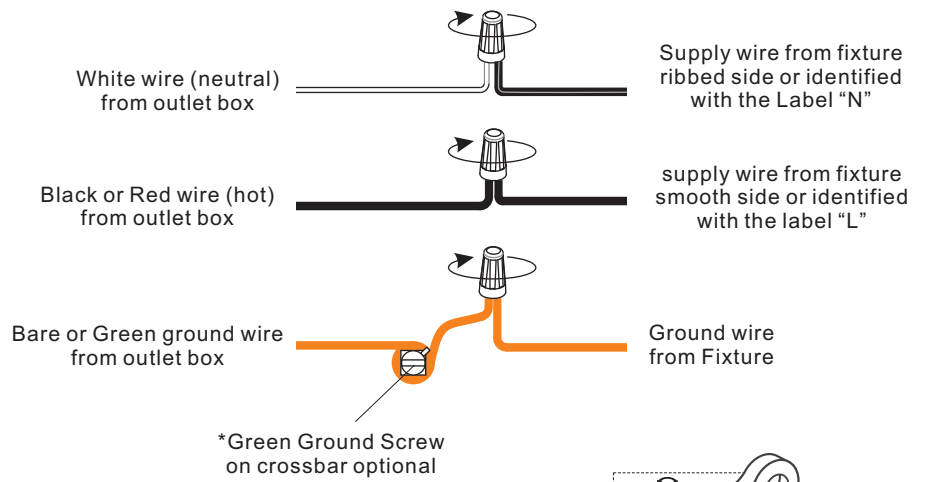
STEP 4

1

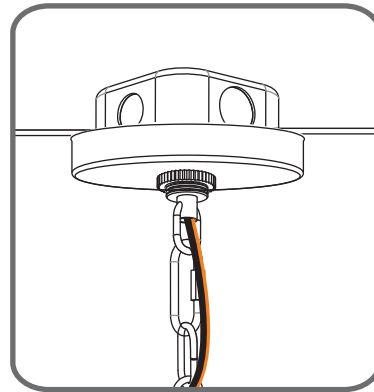
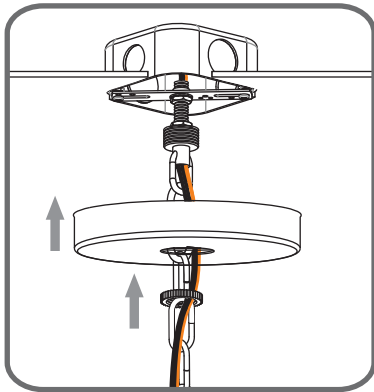
Step 1
Feed the fixture wires
through the loop



2



STEP 5



STEP 6

