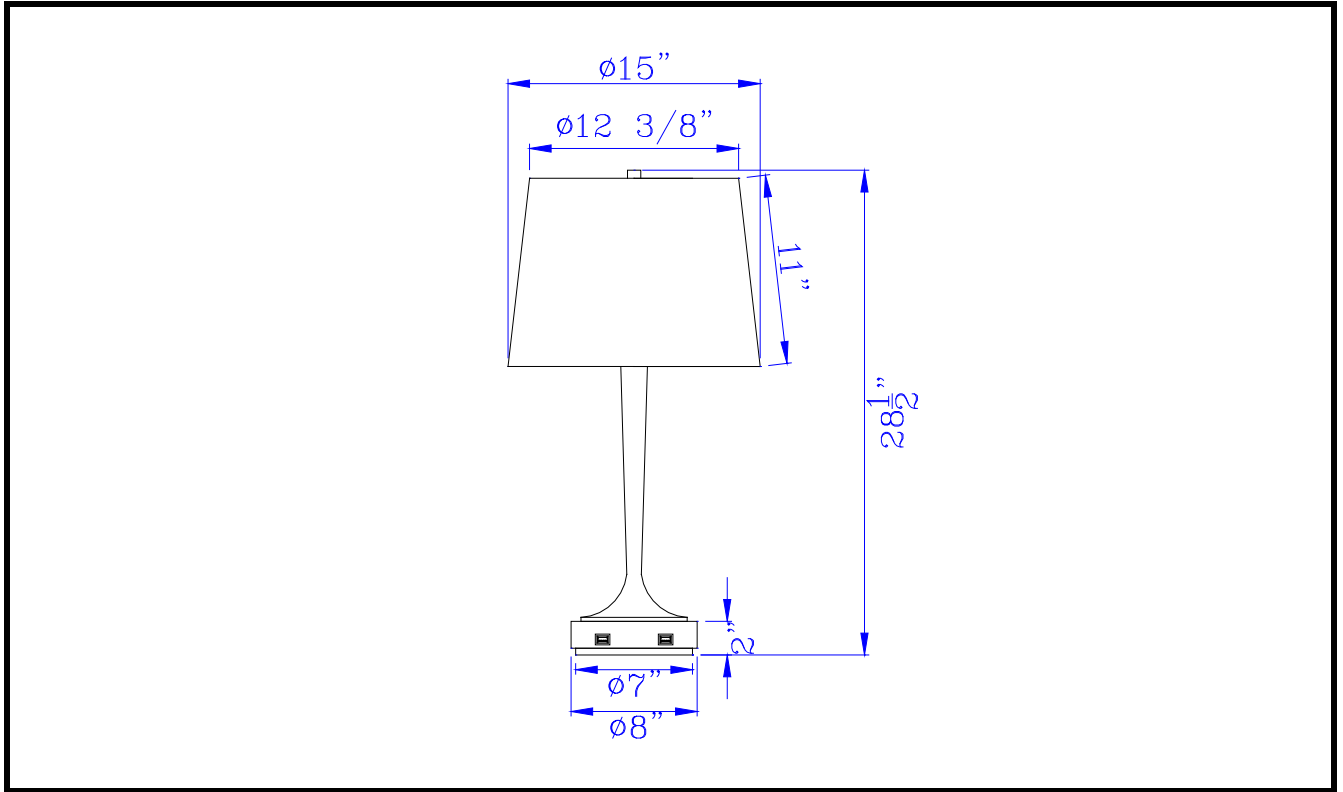




CAL LIGHTING

3625 E. Philadelphia St. Ontario CA. 91761 • Tel: 909.947.5200 • Fax:
909.947.5673 • www.calighting.com • service@calighting.com •
Specifications subject to change without notice

Type: _____
Project: _____
Catalog No.: _____
Lamp/Wattage: _____



- Model No:** BO-2778TB
- Description:** 150W 3 way Chester metal table lamp w/ wood accent base and 2 USB charging ports
- Material:** Metal/Wood
- Finish :** Brushed Steel and wood
- Height:** 28 1/2"
- Reach/Depth:** 15"
- Base Width:** Dia.8"
- Wattage :** 150W
- Socket :** Medium Base (E26)
- Switch:** 3-way
- USB Outlet:** 2
- Bulb:** Incandescent, CFL
- Wire Length:** 6'
- Wire Color:** Silver
- Shade No:**
- Material:** Fabric
- Shade size:** 12 3/8"x15"x11"

Certificate :

