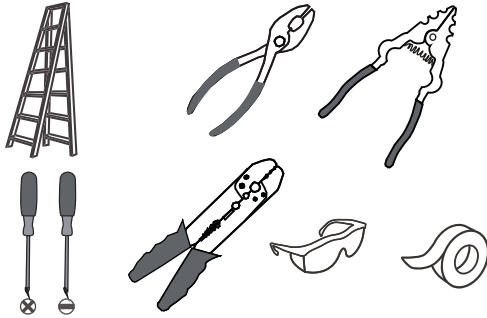
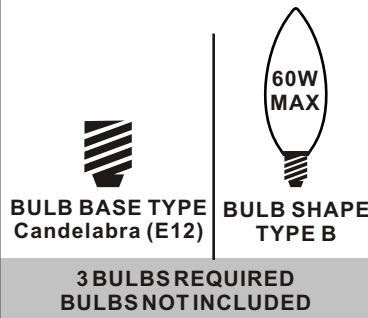


Tools Required



Light Source



**Fixture Height Adjustable
15.75" to 63.75"**

Warnings and Cautions

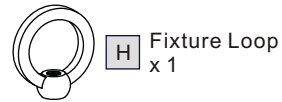
Turn off the electricity at the circuit breaker before installation. Consult a licensed electrician if in doubt about installation.

Turn off power to the fixture and allow the bulbs to cool before replacing.

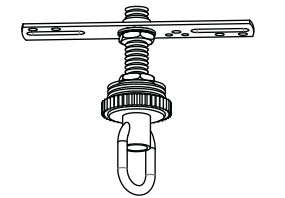
Package Contents

Preparation: Identify and inspect all parts before beginning the installation.

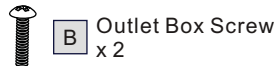
Missing or damaged parts? Contact your original place of purchase.



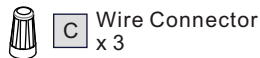
PARTS BAG



A Crossbar Assembly A x 1



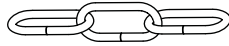
B Outlet Box Screw x 2



C Wire Connector x 3



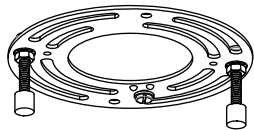
D Quick Link x 2



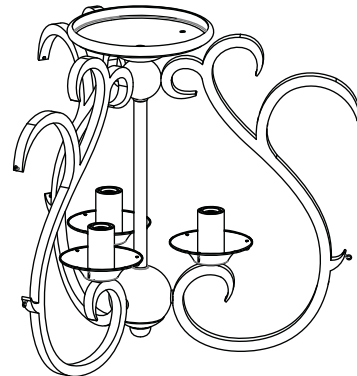
E Fixture Chain x 1



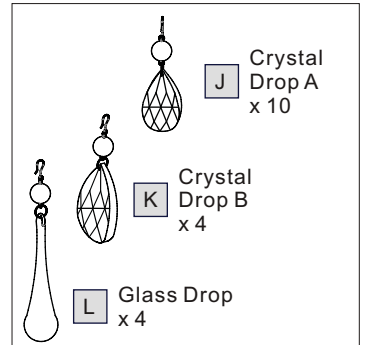
F Ceiling Canopy x 1



G Crossbar Assembly B x 1



I Fixture Canopy x 1



J Crystal Drop A x 10

K Crystal Drop B x 4

L Glass Drop x 4

Note: 1pc replacement is provided for each drop.

Table of Contents

Assembly Instructions for Chandelier Light (Step 1A - Step 6A)

BLC2816AWH

Fixture loop	Crossbar Assembly A	Fixture Chain	Wiring	Ceiling Canopy	Drops & Bulbs
STEP 1A	STEP 2A	STEP 3A	STEP 4A	STEP 5A	STEP 6A

Assembly Instructions for Semi-flush Light (Step 1B - Step 4B)

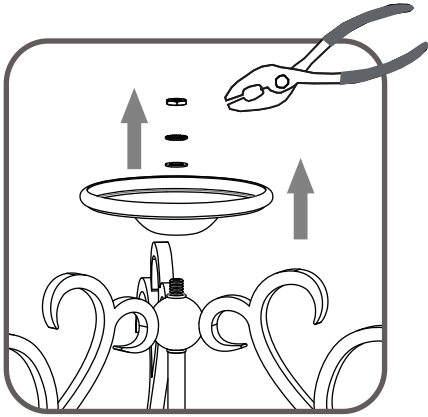
BLC1716AWH

Crossbar Assembly B	Wiring	Fixture Canopy	Drops & Bulbs
STEP 1B	STEP 2B	STEP 3B	STEP 4B

STEP 1A

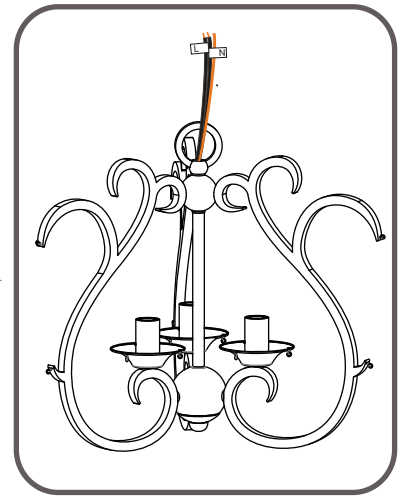
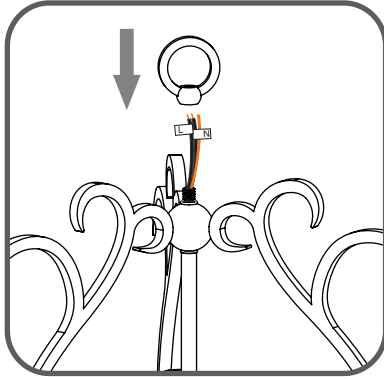
1

Remove fixture canopy



2

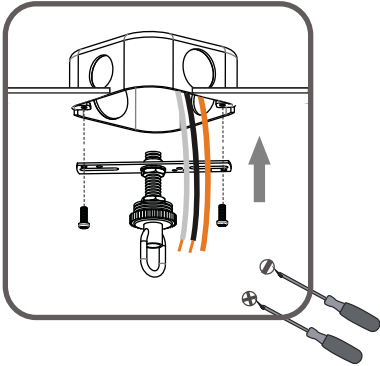
Install fixture loop



STEP 2A

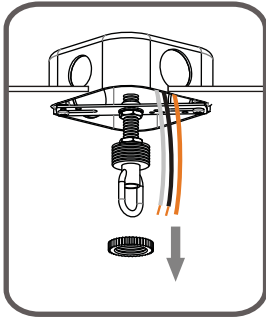
1

Step 1
Install crossbar assembly

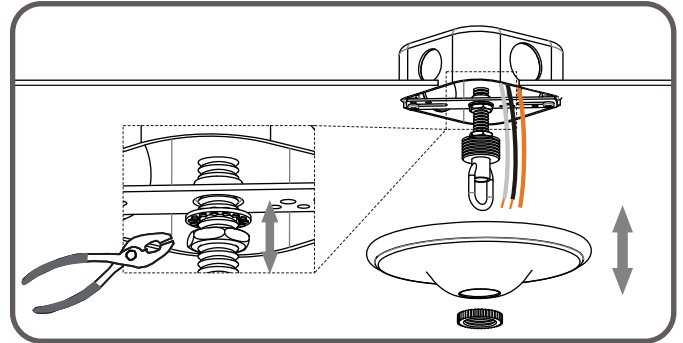


2

Step 2 - 3
Test fitting ceiling canopy to nipple



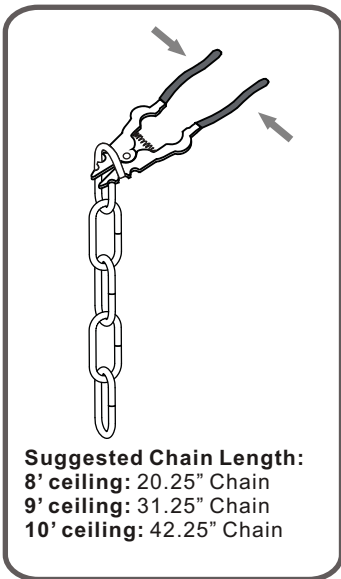
3



STEP 3A

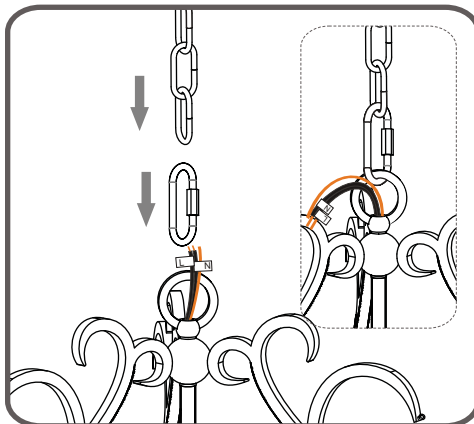
1

Step 1
Adjust fixture chain length

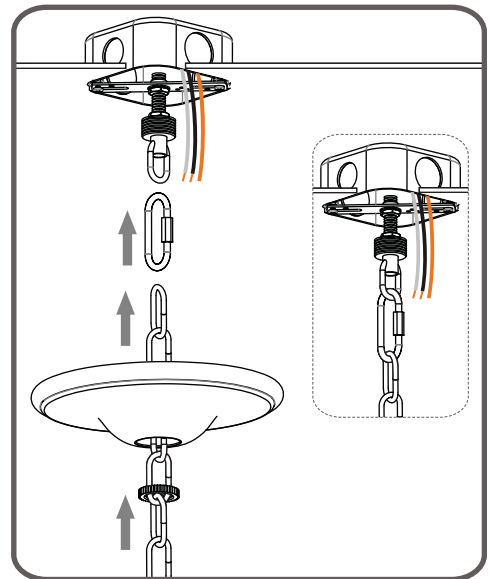


2

Step 2 - 3
Install Fixture Chain



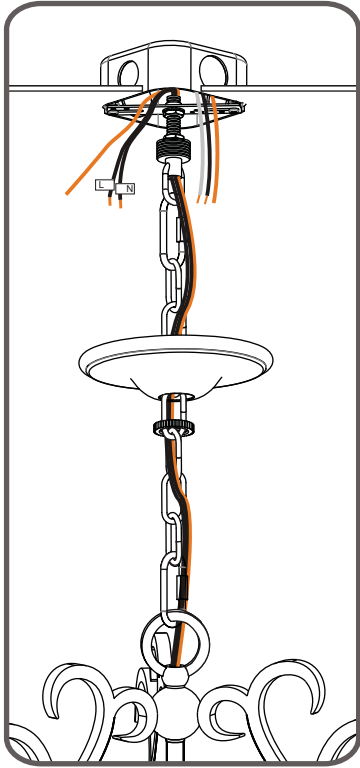
3



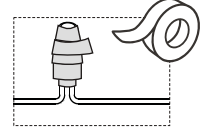
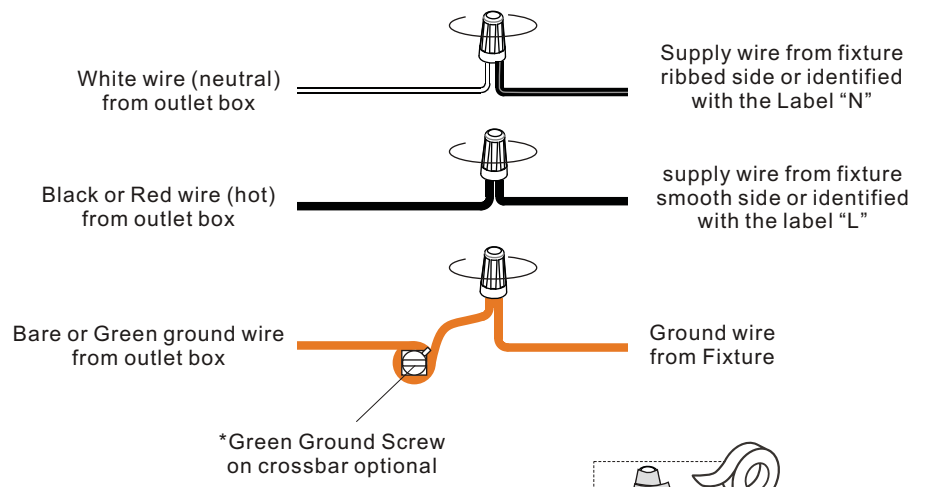
STEP 4A

1

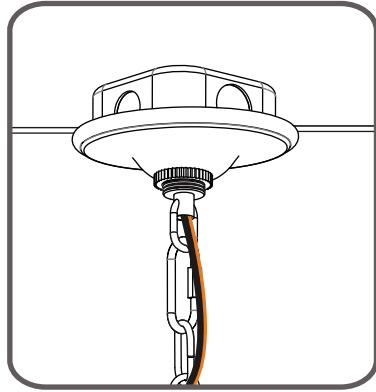
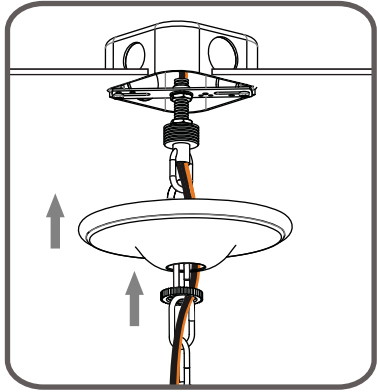
Step 1
Feed the fixture wires
through the loop



2



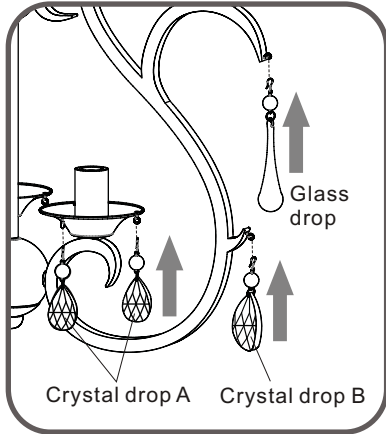
STEP 5A



STEP 6A

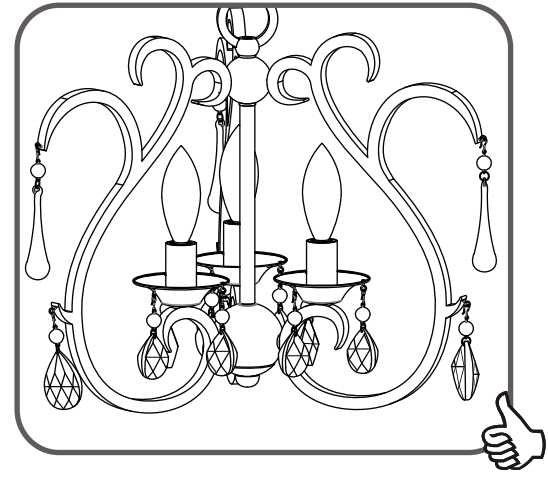
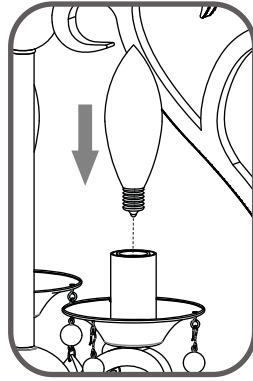
1

Install drops



2

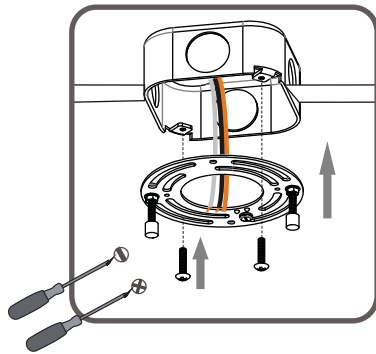
Install bulb



STEP 1B

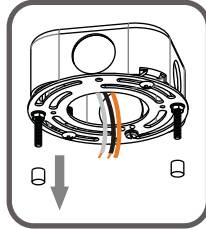
1

**Step 1
Install crossbar assembly**

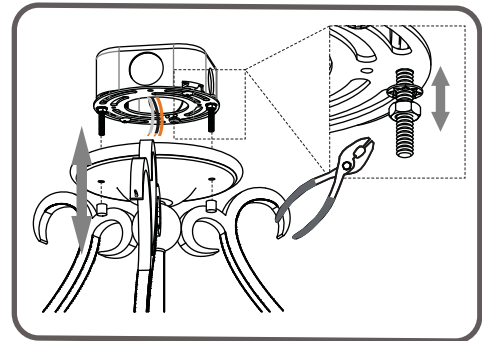


2

**Step 2 - 3
Test fitting ceiling canopy to mounting screws**



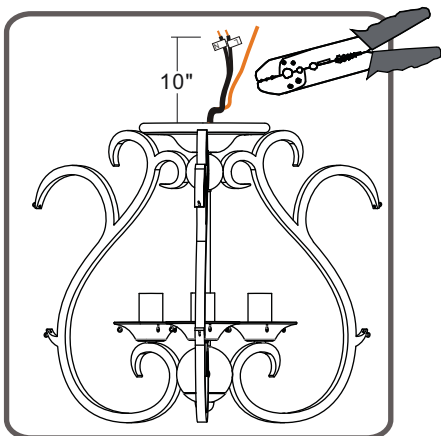
3



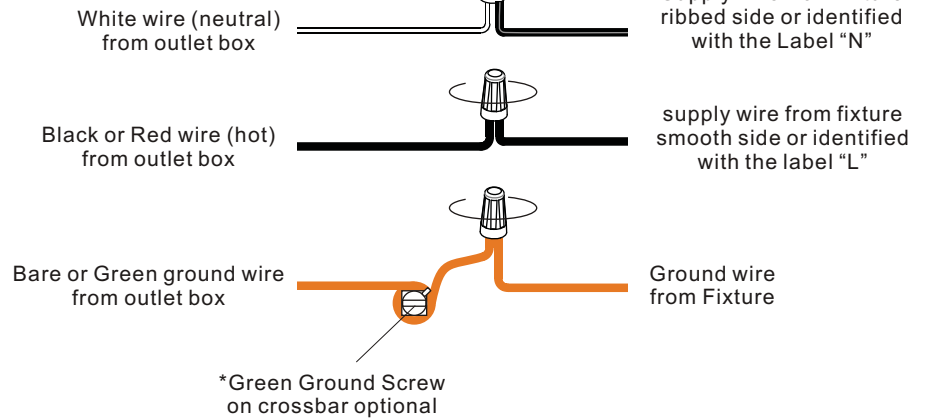
STEP 2B

1

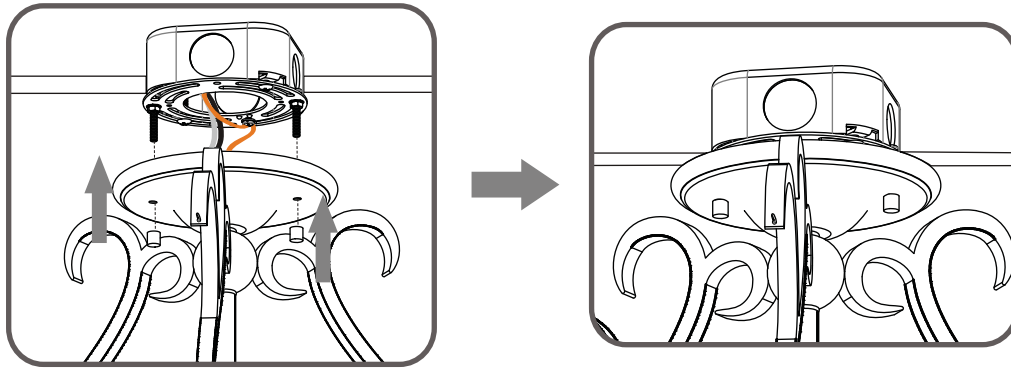
**Step 1
Cut supply wires**



2



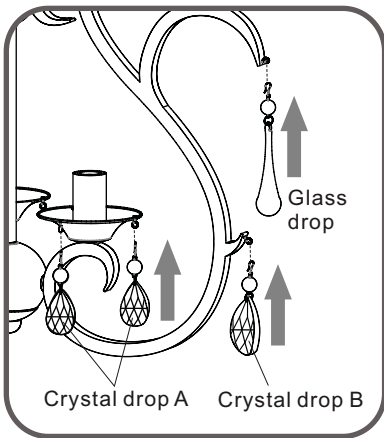
STEP 3B



STEP 4B

1

Install drops



2

Install bulb

