

NLUD

L-Line LED Indirect/Direct - Selectable CCT

Source: 30W to 100W

3700lm to 12300lm

Type

Project

Catalog No.

Notes

PRODUCT DESCRIPTION

L-Line Indirect/Direct luminaires offer a clean and modern appearance with a sleek extruded aluminum housing. Symmetrical light distribution will evenly illuminate surfaces with a diffused lens, making L-Line ideal for commercial, retail, healthcare and education applications. Available in wall mount or pendant mounting options. Luminaires can be daisy chained with luminous L, X or T connectors or installed separately.

FEATURES

- Three built in switches to control direction of light output and color temperature per direction
- Average of 1643 lumens per foot (70% direct / 30% indirect)
- Selectable CCT (3000K/3500K/4000K) in both directions
- Wall mounted or pendant mounted
- Luminaires can be daisy chained with accessories
- 120-347V input with 0-10V dimming
- Optional emergency battery backup
- DLC Listed

SPECIFICATION

Construction: One piece extruded aluminum housing with solid end caps. Includes diffused polycarbonate lens for symmetrical light distribution. Luminaires include three integral switches to control light direction (direct, indirect/direct, indirect) and color temperature switch for direction of light.

Mounting: Luminaires can be wall mounted or pendant mounted with kits (ordered separately). Pendant mounted systems require a mounting kit at each end of luminaire. Wall mount kit includes wall plate and wiring for luminaires.

Daisy Chain: Luminaires can be connected with daisy chain bracket (ordered separately). Bracket allows luminaires to be connected (refer to tables on page 3, 4 and 5).

ELECTRICAL

Input Voltage: 120-347V

Lumens / Wattage: See chart below

Color Temperature: Selectable CCT per direction (3000K/3500K/4000K)

Note: Both CCT switches are preset to 3000K

Direction of Light: Selectable Direction (direct only / indirect & direct / indirect only)

Note: Preset to indirect & direct position

Color Rendering Index: 80+ CRI

Operating Temperature: -20°C to 50°C

Dimming: 0-10V

Maximum Wattage Per Run: 420W

MOUNTING KITS & ACCESSORIES

NLUD-PCC: Pendant Power & Aircraft Mounting Kit

NLUD-CC: Aircraft Mounting Kit

NLUD-WM: Wall Mount Kit

NLUD-PMC: Bracket for Pendant Mounted Daisy Chain

NLUD-WMC: Bracket for Wall Mounted Daisy Chain

NLUD-MDPH: Wire Harness Kit for Multi-Direction (Pendant Mount only)

NLUD-WPC/20: 20' Wall Mount Power Cord

EMERGENCY

4' and 8' Linear luminaires can be specified with an emergency battery with integral test switch. Battery operates for 90 minutes during power loss on full charge.

LABELS AND LISTINGS

- DLC Listed
- cETLus Listed for Damp Location
- FCC Compliant
- 5-Year Limited Warranty



Direction of Light
Down / Both / Up



Selectable CCT
3 Position Sliding Switch
Per Direction (Up & Down)
3000K / 3500K / 4000K

PRODUCT IMAGES (DIMENSIONS ON PAGE 2)



NLUD-2 / NLUD-4 / NLUD-8
2' / 4' / 8' Linear



NLUD-X
X-Connector



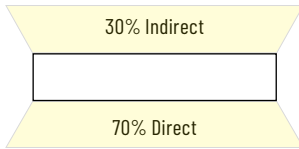
NLUD-T
T-Connector



NLUD-L
L-Connector



MOUNTING KITS ON PAGE 2



| Function | 2' | 4' | 8' | X | L | T |
|-------------------|--------------|--------------|----------------|--------------|--------------|--------------|
| Indirect only | 1140lm / 10W | 1905lm / 15W | 3810lm / 30W | 1793lm / 15W | 1166lm / 10W | 1516lm / 12W |
| Indirect / Direct | 3710lm / 30W | 6152lm / 50W | 12304lm / 100W | 6028lm / 50W | 3781lm / 30W | 5027lm / 40W |
| Direct only | 2570lm / 20W | 4247lm / 35W | 8493lm / 70W | 4234lm / 35W | 2615lm / 20W | 3511lm / 28W |

Lumens shown at 4000K

L-Line LED Indirect/Direct - Mounting kits are required

| Linear Length | Color Temperature | Finish | Optional Emergency |
|-----------------------------|--|---------------------|------------------------|
| NLUD-2 = 2' Linear | 334 = Selectable CCT (3000K/3500K/4000K) | A = Aluminum | (Not available) |
| NLUD-4 = 4' Linear | | B = Black | /EM = Emergency |
| NLUD-8 = 8' Linear | | W = White | (Not available) |
| NLUD-X = X-Connector | | | |
| NLUD-L = L-Connector | | | |
| NLUD-T = T-Connector | | | |

Mounting Kits & Accessories

| Description | Finish | Cable Length |
|--|---|---|
| NLUD-PCC = Pendant Power & Aircraft Mounting Kit | A = Aluminum B = Black W = White | (blank) = 8' /20 = 20' /6W = 8' /6W-20 = 20' |
| NLUD-CC = Aircraft Mounting Kit | | |
| NLUD-PCC = Pendant Power Kit for Emergency | | |
| NLUD-PMC = Daisy Chain Bracket (Pendant) | | |
| NLUD-2WM = Wall Mount Kit for NLUD-2 | | |
| NLUD-4WM = Wall Mount Kit for NLUD-4 | | |
| NLUD-4WM/6W = Wall Mount Kit for NLUD-4 w/ EM | | |
| NLUD-8WM = Wall Mount Kit for NLUD-8 | | |
| NLUD-8WM/6W = Wall Mount Kit for NLUD-8 w/ EM | | |
| NLUD-WMC = Daisy Chain Bracket (Wall) | | |
| NLUD-MDPH = Wire Harness Kit for Multi-Directional Power (pendant mount only) | | |
| NLUD-WPC/20 = 20' Wall Mount Power Cord | | |
| NLUD-WPC/6W-20 = 20' Wall Mount Power Cord for Emergency | | |

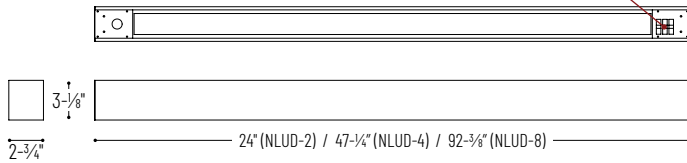
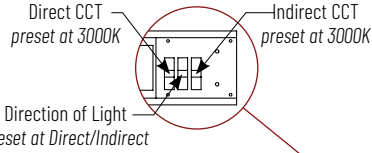
Example: **NLUD-2334A** = 2' L-Line LED Indirect/Direct, Selectable CCT (3000K / 3500K / 4000K), Aluminum finish

NLUD

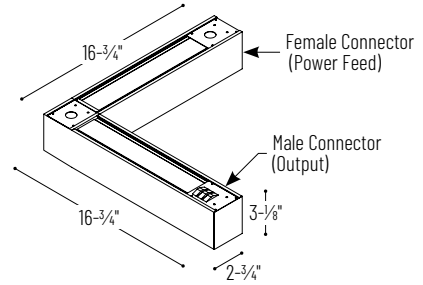
L-Line LED Indirect/Direct - Selectable CCT

Type _____
 Project _____
 Catalog No. _____
 Notes _____

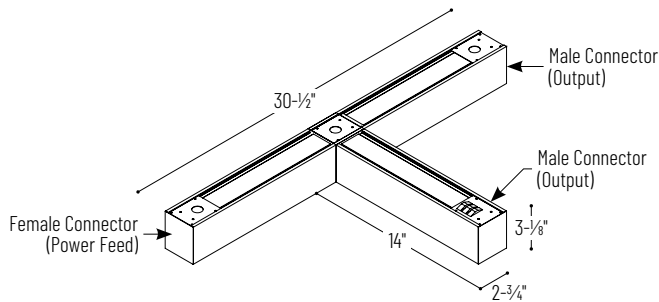
- NLUD-2** 2' Indirect / Direct LED Luminaire
- NLUD-4** 4' Indirect / Direct LED Luminaire
- NLUD-8** 8' Indirect / Direct LED Luminaire



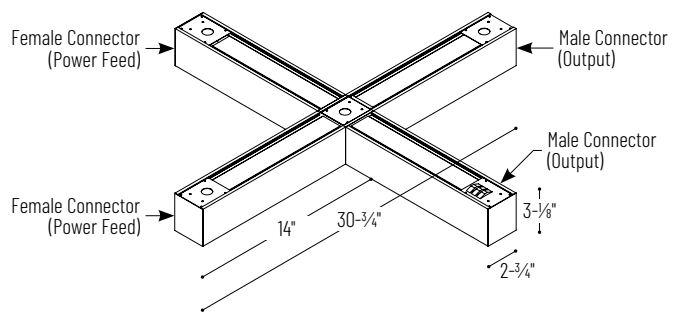
NLUD-L "L" Indirect / Direct LED Luminaire
 Can be connected other luminaires with coupler accessory (ordered separately)



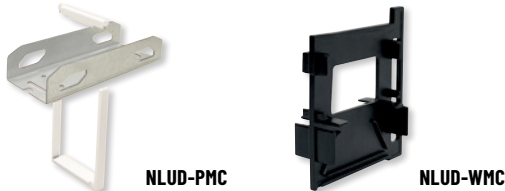
NLUD-T "T" Indirect / Direct LED Luminaire
 Can be connected other luminaires with coupler accessory (ordered separately)



NLUD-X "X" Indirect / Direct LED Luminaire
 Can be connected other luminaires with coupler accessory (ordered separately)



- NLUD-PMC** Bracket for Pendant Mounted Daisy Chain
- NLUD-WMC** Bracket for Wall Mounted Daisy Chain (optional but recommended)



- NLUD-2WM** Wall Mount Kit for NLUD-2 (power cable included)
- NLUD-4WM** Wall Mount Kit for NLUD-4 (power cable included)
- NLUD-4WM/6W** Wall Mount Kit for NLUD-4 with emergency (power cable included)
- NLUD-8WM** Wall Mount Kit for NLUD-8 (power cable included)
- NLUD-8WM/6W** Wall Mount Kit for NLUD-8 with emergency (power cable included)



- NLUD-PCC** 8' Pendant Power & Aircraft Mounting Kit
 - NLUD-PCC/6W** 8' Pendant Power & Aircraft Mounting Kit for Emergency
 - NLUD-PCC/20** 20' Pendant Power & Aircraft Mounting Kit
 - NLUD-PCC/6W-20** 20' Pendant Power & Aircraft Mounting Kit for Emergency
- Includes (1) suspension point and (1) suspension + power cord + electrical connectors



- NLUD-CC** 8' Aircraft Mounting Kit
 - NLUD-CC/20** 20' Aircraft Mounting Kit
- Mounting point required on each end of luminaire.



NLUD-MDPH Wire Harness Kit for Multi Directional Power (Daisy Chain)
 Used to power luminaires together in center of run / multiple directions



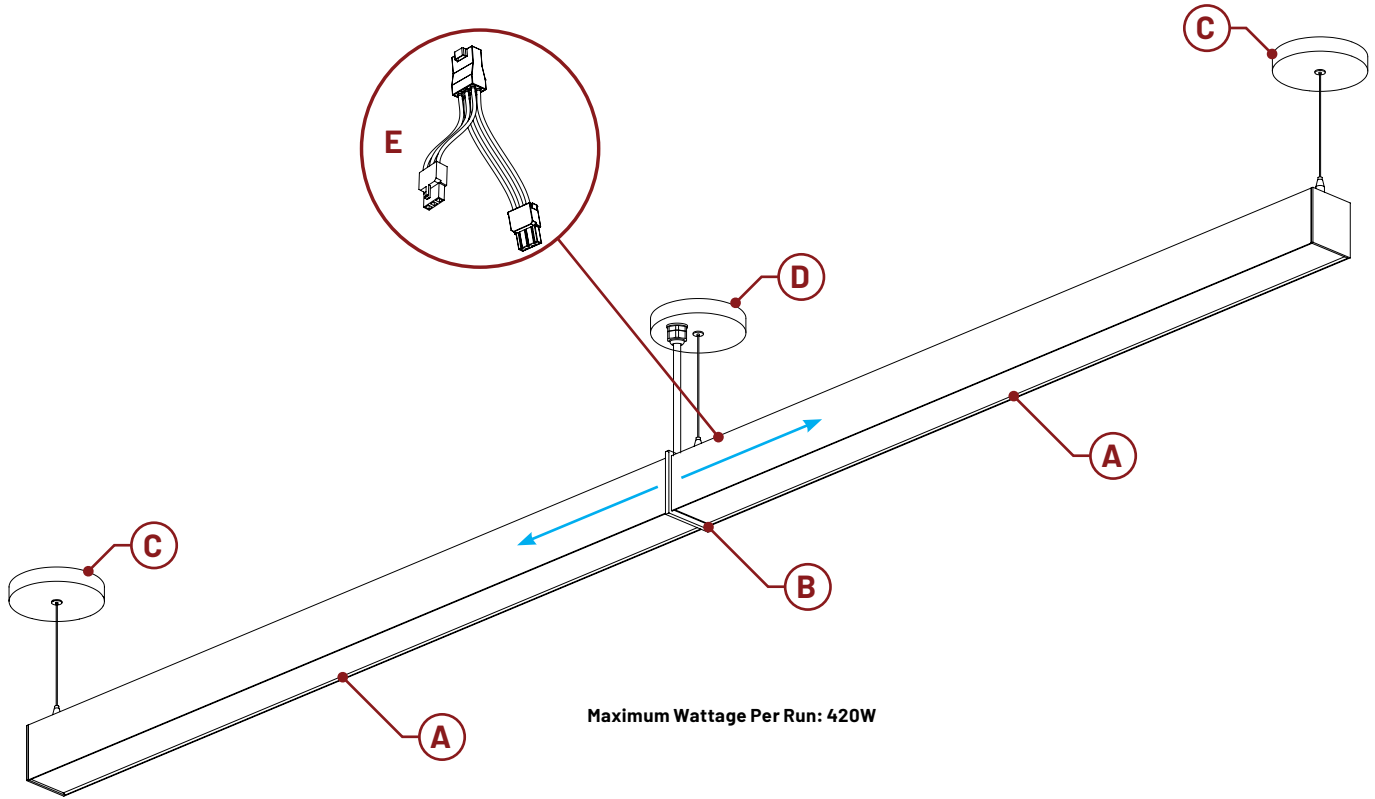
- NLUD-WPC/20** 20' Wall Mount Power Cord
- NLUD-WPC/6W-20** 20' Wall Mount Power Cord for Emergency



NLUD

L-Line LED Indirect/Direct - Linear Multi-Directional Layout

Type _____
Project _____
Catalog No. _____
Notes _____

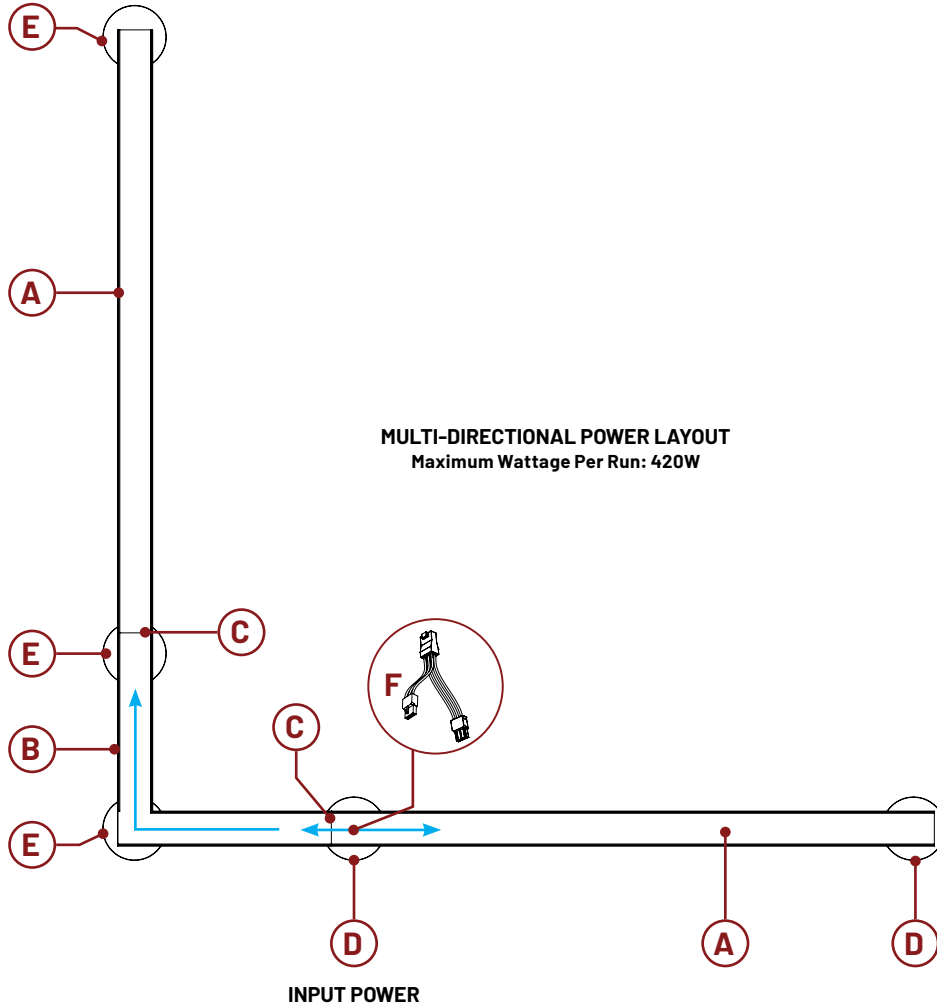


| | Part Number | Description | Quantity |
|---|-------------|---------------------------------------|----------|
| A | NLUD-2334 | 2' LED Linear Indirect / Direct | 2 |
| B | NLUD-PMC | Bracket for Daisy Chaining | 1 |
| C | NLUD-CC | Aircraft Mounting Kit | 2 |
| D | NLUD-PCC | Pendant Power & Aircraft Mounting Kit | 1 |
| E | NLUD-MDPH | Wire Harness Kit | 1 |

NLUD

L-Line LED Indirect/Direct - Multi-Directional Layout

Type _____
 Project _____
 Catalog No. _____
 Notes _____

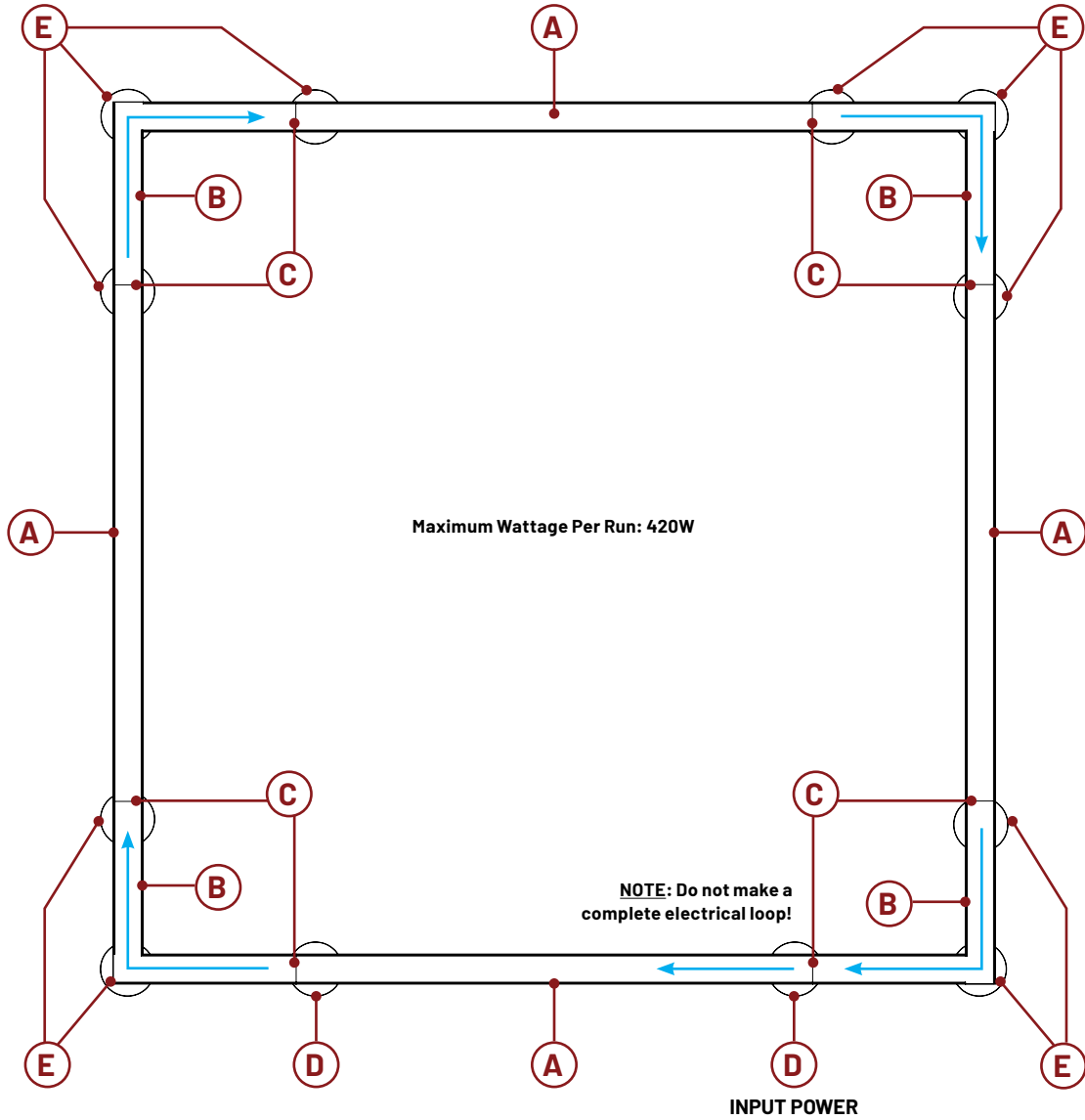


| | Part Number | Description | Quantity |
|---|-------------|---------------------------------------|----------|
| A | NLUD-4334 | 4' LED Linear Indirect / Direct | 2 |
| B | NLUD-L334 | "L" LED Linear Indirect / Direct | 1 |
| C | NLUD-PMC | Bracket for Daisy Chaining | 2 |
| D | NLUD-PCC | Pendant Power & Aircraft Mounting Kit | 1 |
| E | NLUD-CC | Aircraft Mounting Kit | 3 |
| F | NLUD-MDPH | Wire Harness Kit | 1 |

NLUD

L-Line LED Indirect/Direct - Square Linear Direction Layout

Type _____
 Project _____
 Catalog No. _____
 Notes _____



| | Part Number | Description | Quantity |
|----------|-------------|---------------------------------------|----------|
| A | NLUD-4334 | 4' LED Linear Indirect / Direct | 4 |
| B | NLUD-L334 | "L" LED Linear Indirect / Direct | 4 |
| C | NLUD-PMC | Bracket for Daisy Chaining | 8 |
| D | NLUD-PCC | Pendant Power & Aircraft Mounting Kit | 1 |
| E | NLUD-CC | Aircraft Mounting Kit | 10 |

PHOTOMETRICS

L-Line LED Indirect/Direct - Selectable CCT

Type

Project

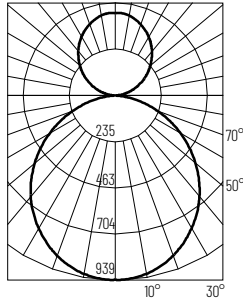
Catalog No.

Notes

Test Information

Test Number: 14137063.02A
 Part Number: NLUUD-2334W
 Lumens: 3710lm
 Wattage: 30.1W
 Efficacy: 123lpw
 CCT / CRI: 4000K / 80 CRI
 Spacing Criteria (0°-180°): 1.24
 Spacing Criteria (90°-270°): 1.24

Polar Curve



Zonal Lumen Summary

| Zone | Lumens | % Luminaire |
|--------|--------|-------------|
| 0-30 | 717 | 19.3 |
| 0-40 | 1168 | 31.5 |
| 0-60 | 2043 | 55.1 |
| 0-90 | 2570 | 69.3 |
| 90-180 | 1140 | 30.7 |
| 0-180 | 3710 | 100 |

Candela Table

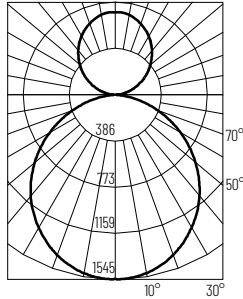
| Vertical Angles | Candela |
|-----------------|---------|
| 0 | 933 |
| 5 | 922 |
| 15 | 884 |
| 25 | 813 |
| 35 | 715 |
| 45 | 595 |

CCT Multiplier:
 3000K = x0.937
 3500K = x0.991
 4000K = x1.00

Test Information

Test Number: 14137063.04A
 Part Number: NLUUD-4334W
 Lumens: 6152lm
 Wattage: 47.6W
 Efficacy: 129lpw
 CCT / CRI: 4000K / 80 CRI
 Spacing Criteria (0°-180°): 1.24
 Spacing Criteria (90°-270°): 1.24

Polar Curve



Zonal Lumen Summary

| Zone | Lumens | % Luminaire |
|--------|--------|-------------|
| 0-30 | 1185 | 19.3 |
| 0-40 | 1929 | 31.4 |
| 0-60 | 3376 | 54.9 |
| 0-90 | 4247 | 69 |
| 90-180 | 1905 | 31 |
| 0-180 | 6152 | 100 |

Candela Table

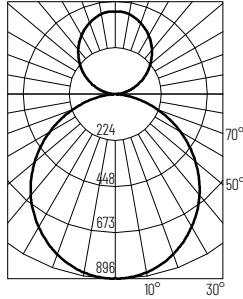
| Vertical Angles | Candela |
|-----------------|---------|
| 0 | 1540 |
| 5 | 1536 |
| 15 | 1475 |
| 25 | 1359 |
| 35 | 1197 |
| 45 | 998 |

CCT Multiplier:
 3000K = x0.937
 3500K = x0.991
 4000K = x1.00

Test Information

Test Number: 14124128.04
 Part Number: NLUUD-L334W
 Lumens: 3544lm
 Wattage: 29.4W
 Efficacy: 121lpw
 CCT / CRI: 3000K / 80 CRI
 Spacing Criteria (0°-180°): 1.26
 Spacing Criteria (90°-270°): 1.24

Polar Curve



Zonal Lumen Summary

| Zone | Lumens | % Luminaire |
|--------|--------|-------------|
| 0-30 | 686 | 19.4 |
| 0-40 | 1116 | 31.5 |
| 0-60 | 1947 | 54.9 |
| 0-90 | 2451 | 69.2 |
| 90-180 | 1093 | 30.8 |
| 0-180 | 3544 | 100 |

Candela Table

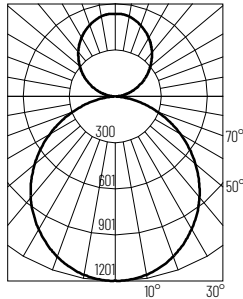
| Vertical Angles | Candela |
|-----------------|---------|
| 0 | 894 |
| 5 | 886 |
| 15 | 858 |
| 25 | 792 |
| 35 | 698 |
| 45 | 577 |

CCT Multiplier:
 3000K = x1.00
 3500K = x1.057
 4000K = x1.067

Test Information

Test Number: 14124128.05
 Part Number: NLUUD-T334W
 Lumens: 4712lm
 Wattage: 39.7W
 Efficacy: 119lpw
 CCT / CRI: 3000K / 80 CRI
 Spacing Criteria (0°-180°): 1.24
 Spacing Criteria (90°-270°): 1.26

Polar Curve



Zonal Lumen Summary

| Zone | Lumens | % Luminaire |
|--------|--------|-------------|
| 0-30 | 920 | 19.5 |
| 0-40 | 1498 | 31.8 |
| 0-60 | 2616 | 55.5 |
| 0-90 | 3291 | 69.8 |
| 90-180 | 1421 | 30.2 |
| 0-180 | 4712 | 100 |

Candela Table

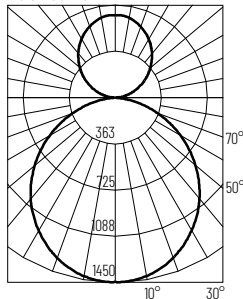
| Vertical Angles | Candela |
|-----------------|---------|
| 0 | 1198 |
| 5 | 1189 |
| 15 | 1142 |
| 25 | 1052 |
| 35 | 927 |
| 45 | 764 |

CCT Multiplier:
 3000K = x1.00
 3500K = x1.057
 4000K = x1.067

Test Information

Test Number: 14124128.06
 Part Number: NLUUD-X334W
 Lumens: 5650lm
 Wattage: 47.4W
 Efficacy: 119lpw
 CCT / CRI: 3000K / 80 CRI
 Spacing Criteria (0°-180°): 1.26
 Spacing Criteria (90°-270°): 1.26

Polar Curve



Zonal Lumen Summary

| Zone | Lumens | % Luminaire |
|--------|--------|-------------|
| 0-30 | 1106 | 19.6 |
| 0-40 | 1804 | 31.9 |
| 0-60 | 3156 | 55.9 |
| 0-90 | 3969 | 70.2 |
| 90-180 | 1681 | 29.8 |
| 0-180 | 5650 | 100 |

Candela Table

| Vertical Angles | Candela |
|-----------------|---------|
| 0 | 1441 |
| 5 | 1436 |
| 15 | 1380 |
| 25 | 1274 |
| 35 | 1126 |
| 45 | 933 |

CCT Multiplier:
 3000K = x1.00
 3500K = x1.057
 4000K = x1.067