

# Assembly Instruction Sheet #IS-TF1135T For Style TF1135T

Quoizel, Inc.  
 6 Corporate Parkway  
 Goose Creek, SC  
 29445

Customer Service  
 Phone 631.273.2700  
 Fax 631.231.7102  
 www. quoizel. com

**Tools Required:** None

**Bulb Recommended:** (2) Medium Base 60W Maximum

**Estimated Assembly Time:** 15-20 minutes

**Preparation:** Identify and inspect all parts before beginning installation. Check package content list and diagrams below to be sure all parts are present. If any parts are missing or damaged, do not attempt to assemble, install, or operate the fixture. Contact customer service for replacement parts.



## Warnings and Cautions

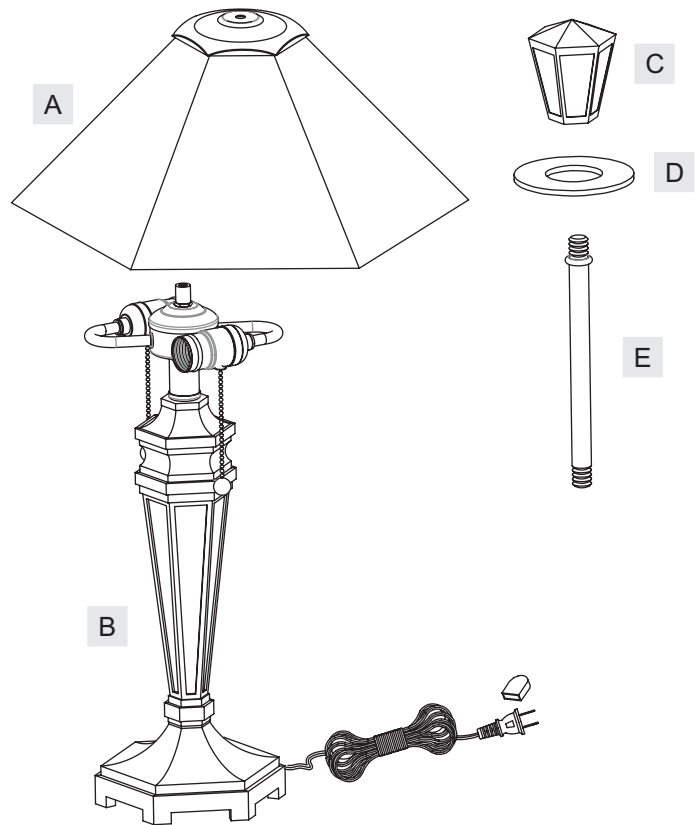
Turn off electricity at circuit breaker or main fuse box before installation. Consult a licensed electrician if in doubt.

These instructions are provided for your safety. It is very important you read them completely before installing the fixture. We strongly recommend that a licensed, professional electrician perform the installation.

Disconnect fixture from power source before replacing bulbs. Make sure bulbs are given sufficient time to cool before removal. Do not subject glass parts to any shock while in operation or shattering may result.

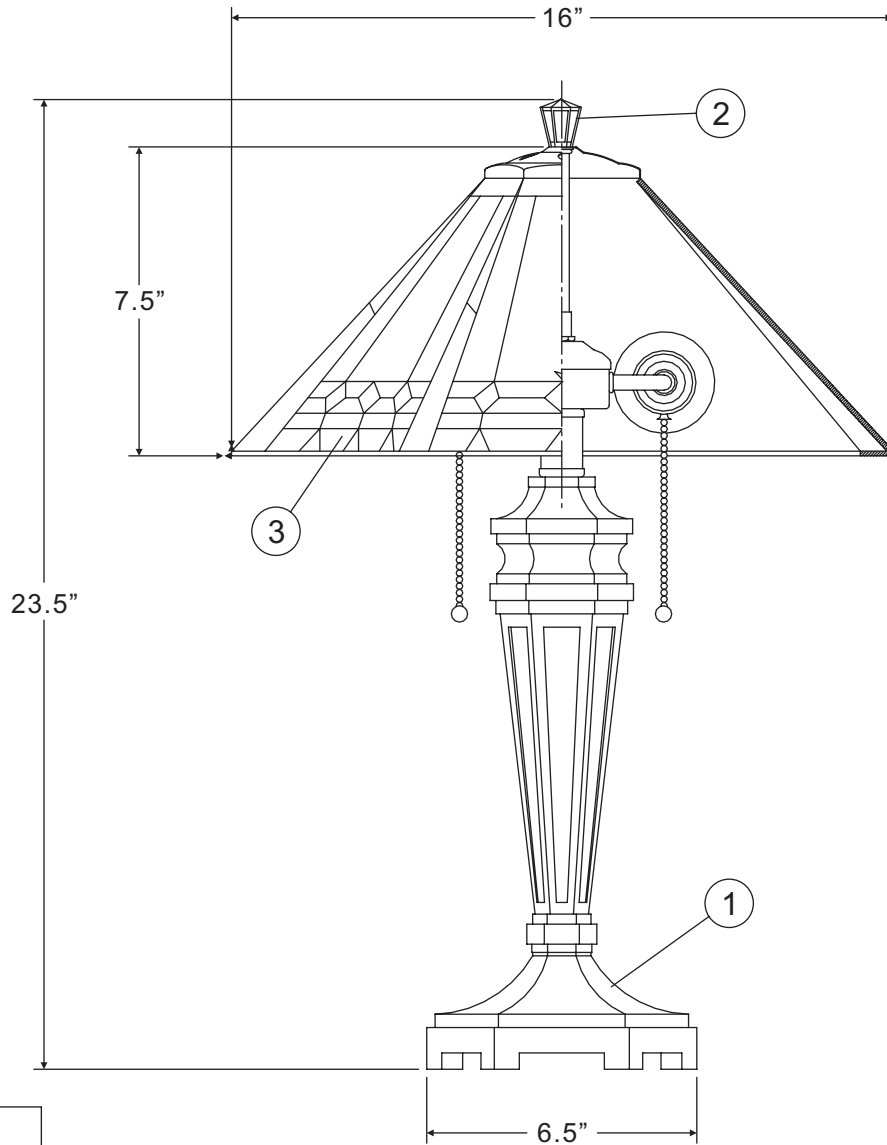
## Package Contents

Part	Description	Quantity
A	Shade	1 pc.
B	Base	1 pc.
C	Finial	1 pc.
D	Flat Washer	1 pc.
E	Stem	1 pc.



**Thank you for purchasing a Quoizel product.**

**Need assistance with parts or assembly? Call Quoizel customer service at 1-631-273-2700  
 or visit us on-line at [www. quoizel. com](http://www. quoizel. com)**



(2)60W Medium Base Bulbs (Not Supplied)

NOTE: ALL DIMENSIONS ARE ROUNDED UP TO THE NEAREST 1/2"

NO.	PART NUMBER	REPLACEMENT PART DESCRIPTION	REQ.
1	11135TTF	BASE TF1135T	1
2	M2260FI	FINIAL .5"SQ X 1"H	1
3	G2841SH	HADE TIFFANY 16"D X 7.5"H	1

# Assembly Instruction Sheet #IS-TF1135T For Style TF1135T

## STEP 1 – Install Stem

- A. Thread the no beaded end of Stem (E) into the Coupling on the top of Base (B). Hand tighten until snug.

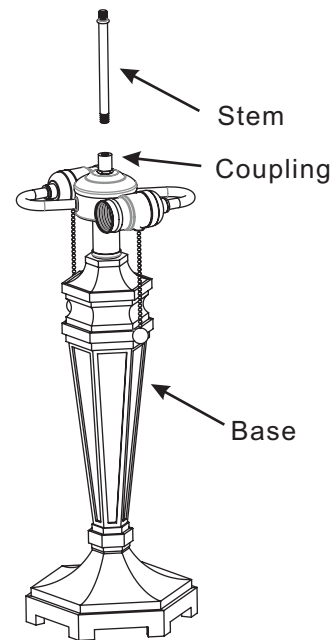


Figure 1

## STEP 2 – Assemble Shade

- A. Place the Flat Washer (D) and Shade (A) over the Stem (E). Secure by thread the Finial (C) onto the Stem. Hand tighten until snug.

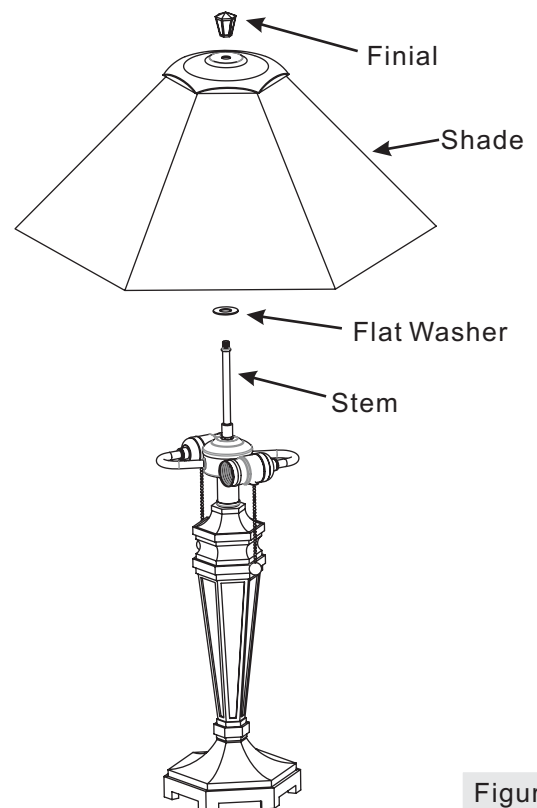


Figure 2

**Thank you for purchasing a Quoizel product.**  
**Need assistance with parts or assembly? Call Quoizel customer service at 1-631-273-2700**  
**or visit us on-line at [www. quoizel. com](http://www. quoizel. com)**

**STEP 3 – Install Bulb**

- A. This fixture uses standard bulbs with medium screw bases. Maximum 60 watts.
- B. Insert bulb and screw snugly into place.

Your fixture table lamp is now assembled and ready to use. Enjoy!

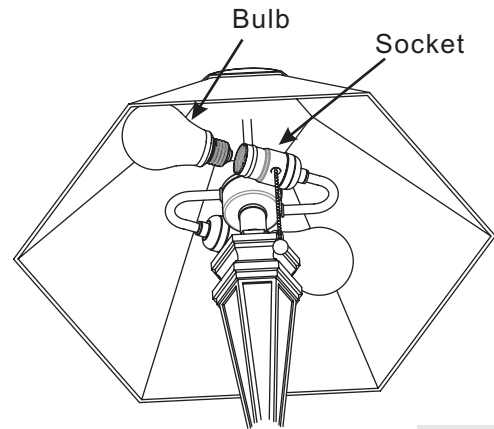


Figure 3

**Thank you for purchasing a Quoizel product.  
Need assistance with parts or assembly? Call Quoizel customer service at 1-631-273-2700  
or visit us on-line at [www. quoizel. com](http://www. quoizel. com)**