

INSTALLATION INSTRUCTION

Dice - dweLED™ Vanities

FM-4014

WAC LIGHTING

Responsible Lighting®

WARNING

IMPORTANT: NEVER attempt any work without shutting off the electricity.

- Read all instructions before installing.
- System is intended for installation by a qualified electrician in accordance with the National Electrical Code and local regulations.
- Go to the main fuse box, or circuit breaker. Place the main power switch in the "OFF" position and unscrew the fuse(s) or switch "OFF" the circuit breaker switch(es) that control the power to the fixture or room that you are working on.
- Place the wall switch in the "OFF" position.

CAUTION

- All parts must be used as indicated in these instructions. Do not substitute any parts, leave parts out, or use any parts that are worn out or broken. Failure to follow this instruction could invalidate the ETL/CETL listing of this fixture.
- CAUTION When handling the fixture, do not apply pressure to the LEDs. Hold the fixture by the base only.

AVERTISSEMENT

IMPORTANT : Coupez l'électricité avant TOUTE manipulation.

- Lisez toutes les instructions avant d'installer.
- Système est destiné à être installé par un électricien qualifié en conformité avec le code national de l'électricité et les règlements locaux.
- Accédez au panneau central de disjoncteurs ou de fusibles de votre demeure et placez l'interrupteur principal en position d'arrêt (« OFF »).
- Placez l'interrupteur mural en position d'arrêt (« OFF »).

MISE EN GARDE

- Toutes les pièces doivent être utilisées tel qu'il est indiqué dans ces instructions. Ne remplacez pas les pièces, n'en laissez pas de côté et ne les utilisez pas si elles sont usées ou brisées. Le non-respect de ces instructions peut annuler l'homologation ETL/CETL du luminaire. MISE EN GARDE Ors de la manipulation de l'appareil, ne pas appliquer de pression à la LED, tenir l'appareil par la seule base.

ADVERTENCIA

IMPORTANTE: NUNCA intente hacer trabajos sin desconectar el suministro eléctrico.

- Lea y comprenda todas las instrucciones e ilustraciones por completo antes de proceder con el ensamblaje e instalación de esta lámpara.
- Sistema está diseñado para ser instalado por un electricista calificado, de acuerdo con el código eléctrico nacional y las normas locales.
- Diríjase a la caja de fusibles o a la caja del interruptor de circuito principal en su hogar. Coloque el interruptor de alimentación principal en la posición "OFF" (APAGADO).
- Coloque el interruptor de la pared en la posición "OFF" (APAGADO).

PRECAUCIÓN

- Todas las piezas deben usarse como lo indican estas instrucciones. No reemplace las piezas, no omita piezas durante la instalación ni utilice piezas gastadas o rotas. El incumplimiento de esta indicación podría invalidar la calificación ETL/CETL esta lámpara. PRECAUCIÓN Al manipular el aparato, no aplique presión a los LED, mantenga el aparato en la base sólo.

HARDWARE

C1



P3 Electrical Wire Connector
Qty: 3pc
7EAC112201

D1



Mounting Screw
Qty: 2pc

E1



Junction Box Screw
Qty: 2pc + 1 extra
7MPF0415C2
#8-32x9/16 SS

F1



Fixture Screw
Qty: 1 Extra
7MPF0307C1
1/8"-40x5/16
Nickel Plating

H1



Metal Nut
Qty: 1 Extra
7MPF040701

J1



Wire Connector
Qty: 2pc

wacighting.com

Phone (800) 526.2588
Fax (800) 526.2585

Headquarters/Eastern Distribution Center

44 Harbor Park Drive
Port Washington, NY 11050

Central Distribution Center

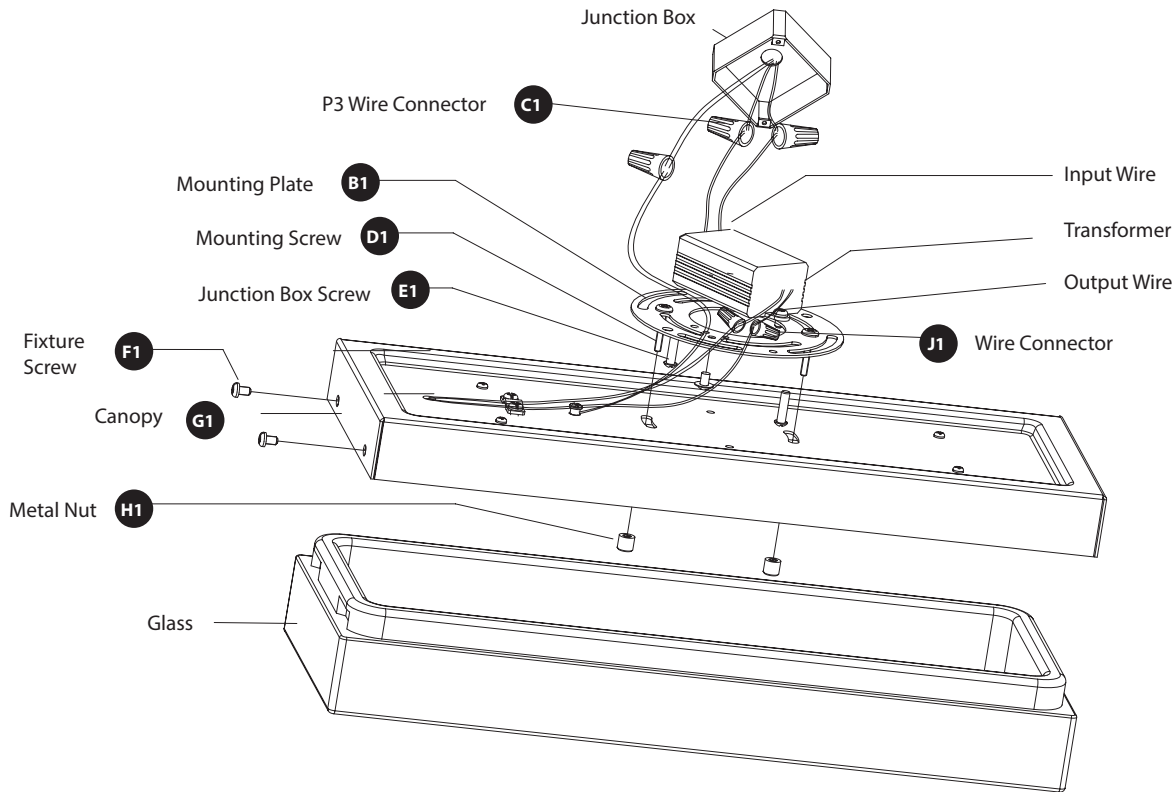
1600 Distribution Ct
Lithia Springs, GA 30122

Western Distribution Center

1750 Archibald Avenue
Ontario, CA 91760



Fig. 1



PREPARATION

- Shut off the power at the circuit breaker and remove existing fixture, including the mounting hardware.
- Carefully unpack your new fixture and lay out all the parts on a clear area. Be careful not to lose any small parts necessary for installation.

CONNECTING THE WIRES (FIG. 2)

1. Remove metal nut (H1) from the canopy inside, remove the canopy from the mounting plate. Keep the mounting screws (D1) locked on the mounting plate (B1).
2. Connect the transformer input wires to supply wires as shown in **Fig. 2**, making sure that all wire connectors (C1) are secured. If your outlet box has a green or bare copper ground wire, connect the fixture's ground wire to it. Otherwise, connect the fixture's ground wire directly to the mounting plate (B1) using the green screw provided. After wires are connected, tuck them carefully inside the junction box.
***Requires transformer to be recessed within the junction box.**

MOUNTING THE FIXTURE (FIG. 1)

3. Secure mounting plate (B1) to the junction box using junction box screws (E1). The side of the mounting plate marked "GND" must face out.
4. Connect the transformer output wires to the fixture wires, secure with wire connectors (J1).
5. Place the fixture's canopy (G1) over the mounting plate (B1) through mounting screws (D1) and secure with metal nuts (H1).
6. Put the glass over the canopy (G1) and secure with screws (F1).

Fig. 2

