

Pinpoint series

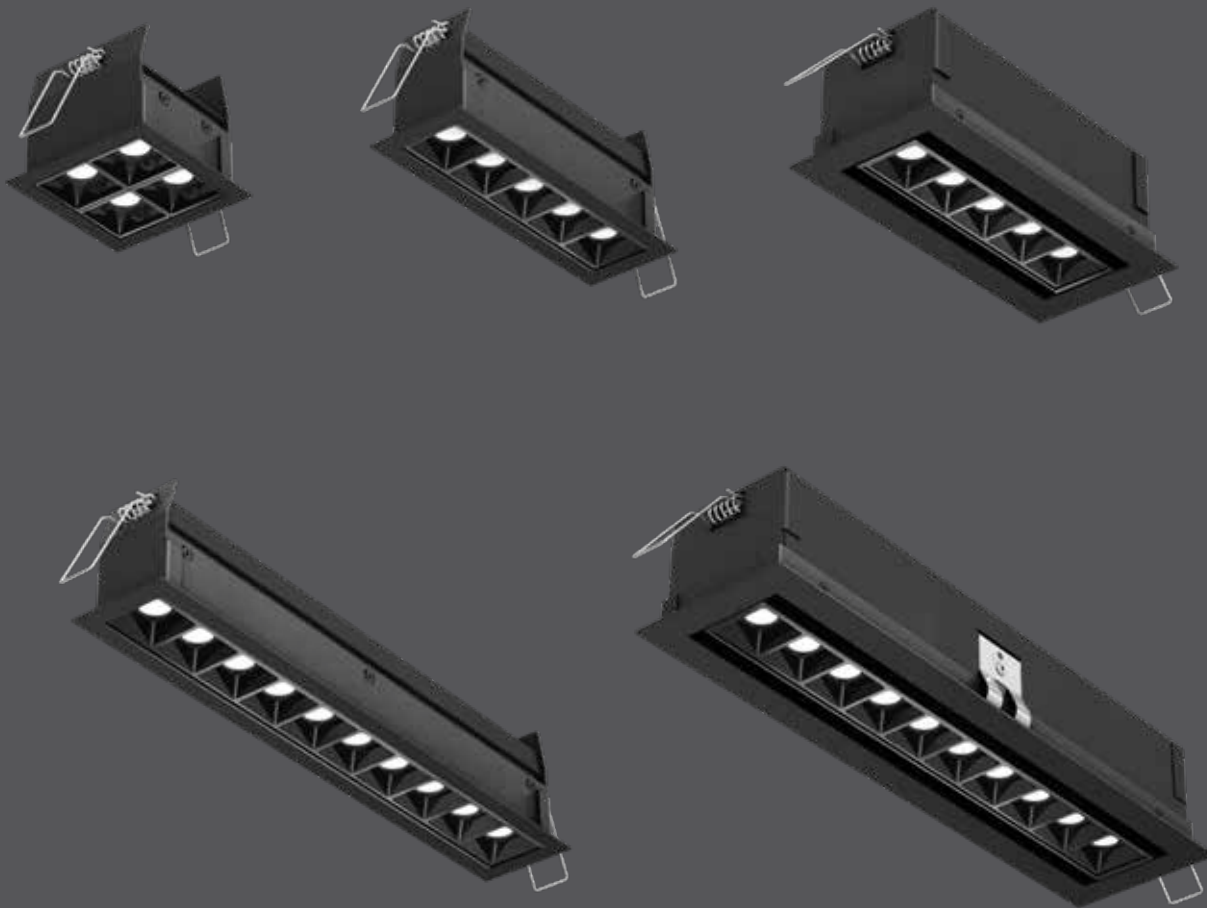
This series provides a contemporary aesthetic and functional design to your space. Available in various styles, and framed by a powder-coat finish, these high-output fixtures deliver crisp, low-glare light. Available with pivoting multi-directional* optics or traditional fixed downlight.

UPGRADE

DRY 30° SWIVEL/DIRECTIONAL* LOW-GLARE Intertek IC RATED

2700k 3000k 3500k 4000k 5000k

COLOR TEMPERATURE



*Models MSL5G-CC and MSL10G-CC only

Model	Size	Watts	Delivered lumens	LED lumens	CRI	Color °T	Voltage
MSL4-CC	3"	12 W	600 lm	880 lm	90	2700, 3000, 3500, 4000, 5000 K	120 V
MSL5-CC	7"	14 W	800 lm	1100 lm			
MSL5G-CC	7"	14 W	800 lm	1100 lm			
MSL10-CC	13"	24 W	1500 lm	2200 lm			
MSL10G-CC	13"	24 W	1500 lm	2200 lm			

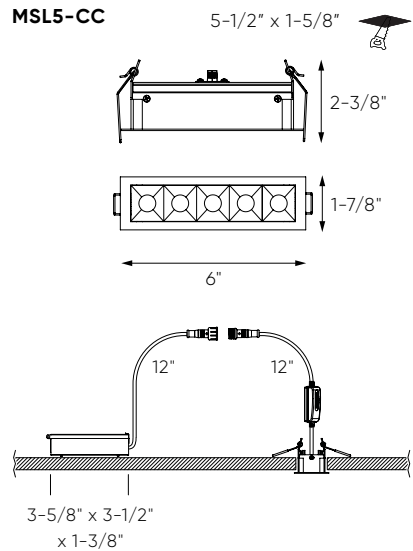
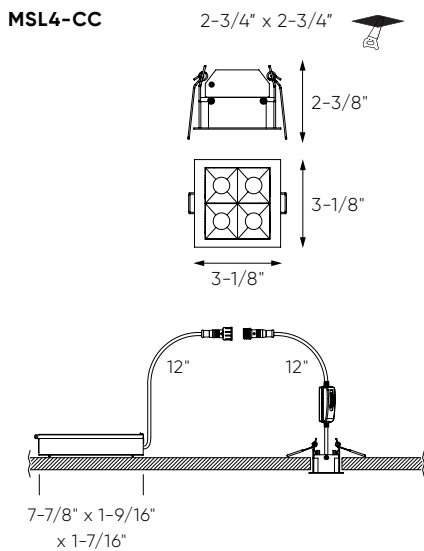
Specifications

Every fixture includes a junction box with integrated dimmable driver
 Switch-selectable CCT: 2700 K/3000 K/3500 K/4000 K/5000 K
 Can be daisy chained
 Superior LED performance and lifespan
 Regressed light source
 Aluminum construction

30 degree swivel (models MSL5G and MSL10G only)
 IC rated (models MSL4, MSL5G and MSL10G only)
 Low-glare
 Suitable for dry locations
 Refer to website for dimmer compatibility
 5-year warranty

Accessories

- RFP-MSL4**
Rough-in plate for MSL4
- RFP-MSL5**
Rough-in plate for MSL5
- RFP-MSL5G**
Rough-in plate for MSL5G
- RFP-MSL10**
Rough-in plate for MSL10
- RFP-MSL10G**
Rough-in plate for MSL10G



Finish

-  **BK** Black
-  **AWH** White

Note

Other color °T, finishes, and voltage options are available but may require MOQ's and longer lead times. Please contact your DALI representative for more information.

