

INSTALLATION INSTRUCTIONS



⚠ WARNING

DISCONNECT POWER AT THE MAIN FUSE BOX BEFORE INSTALLATION.

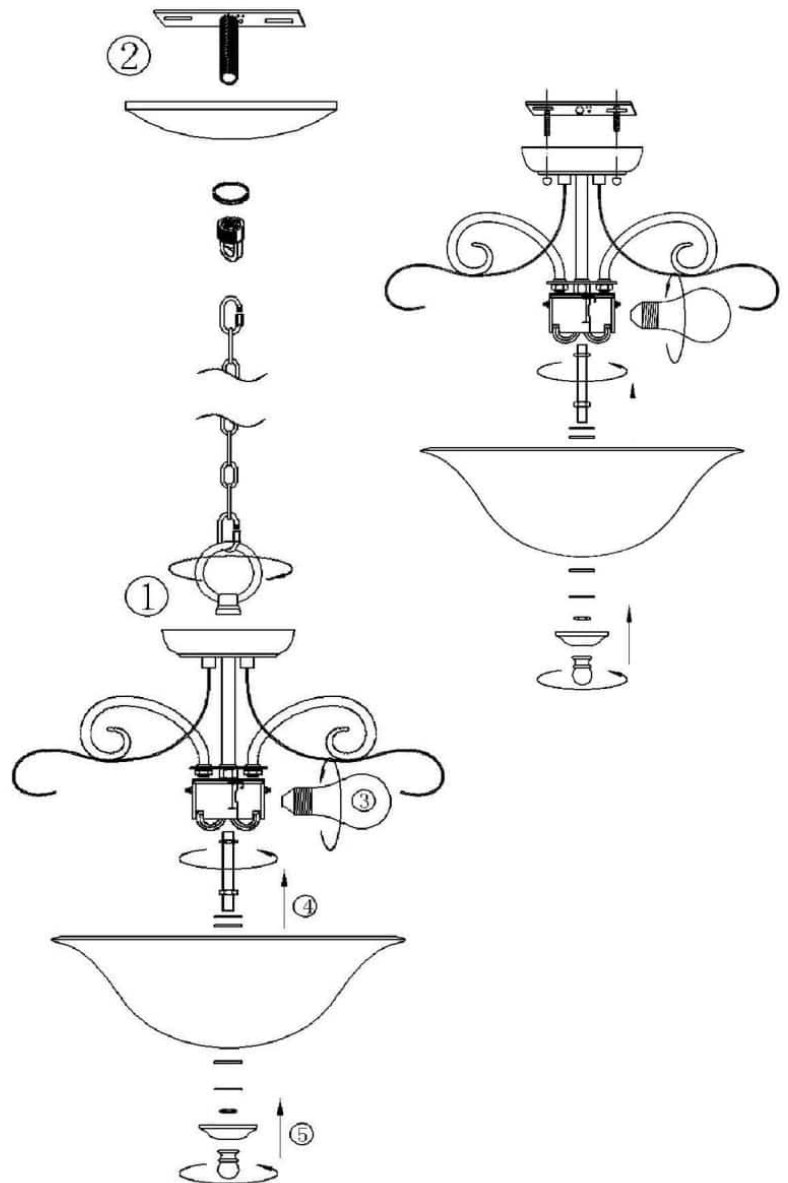
CONSULT A QUALIFIED ELECTRICIAN BEFORE INSTALLTION.

PREPARATION

Before assembly , be sure to remove all parts and part packages from box . Lf anything is missing , please contact the store or internet vendor from which product was purchased

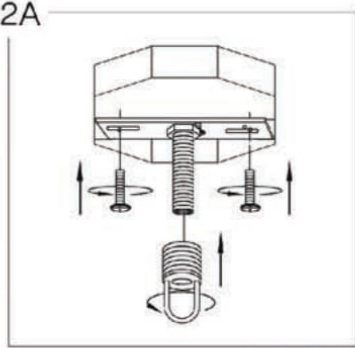
INSTALLATION

- ① Determine proper length of chain . After removing or adding links to the desired length , attach end of chain to fixture frame.
- ② Connect wiring together and mount fixture to ceiling . (See other side for wiring and mounting instructions) .
- ③ Install light bulbs . Use 75 watt max medium base bulbs (not included) .
- ④ Tooth tube is arranged in the lamp body .
- ⑤ Attach glass diffuser onto fixture using finial .



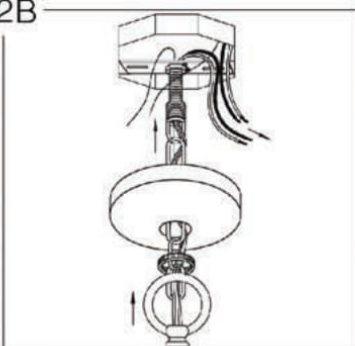
WIRING AND MOUNTING INSTRUCTIONS

2A



Screw crossbar assembly into junction box using outlet box screws. Thread screw collar onto threads of crossbar assembly.

2B



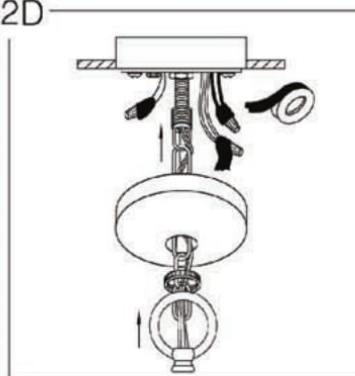
Slip screw collar ring and canopy onto chain, and hang fixture onto screw collar using an open link of chain. Close link. Thread wire and ground cable through screw collar ring, canopy, chain, screw collar, and through threaded tube on crossbar assembly. Pull wires through.

2C



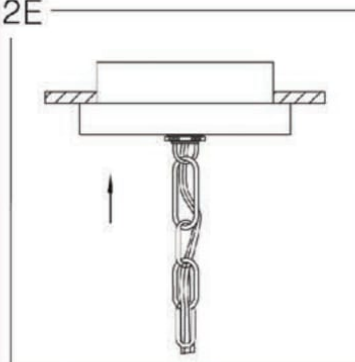
Strip 3/4" of insulation from wire ends. Connect house ground wire to fixture ground wire. Twist wires together using wire nut. Connect the black house wire to the smooth or black fixture wire. Twist wires together using wire nut. Connect the white house wire to the ribbed or white fixture wire. Twist wires together using wire nut.

2D



Tape wires and wire nuts together using electrical tape.

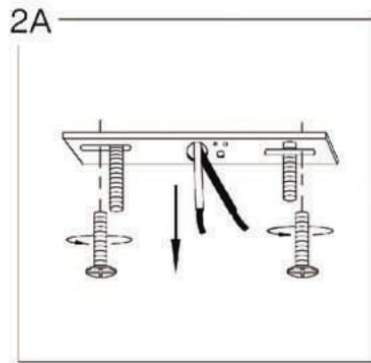
2E



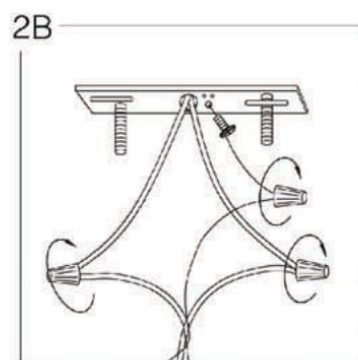
Carefully tuck wires into junction box and secure canopy to ceiling using screw collar ring.

(Continue with step 3 of installation on other side.)

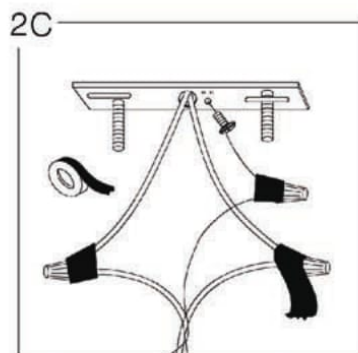
WIRING AND MOUNTING INSTRUCTIONS



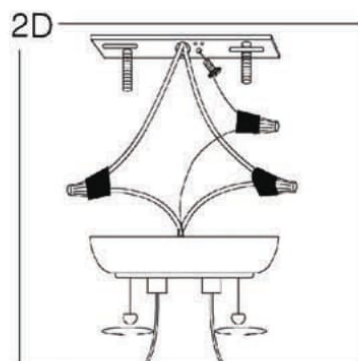
Carefully pull house wires through opening in center of mounting plate. With mounting plate threads facing outward, screw mounting plate into junction box using outlet box screws.



Strip 3/4" of insulation from wire ends . Connect house ground wire to fixture ground wire marked with symbol . Twist wires together using wire nut . Connect black house wire to the fixture . Twist wires together using wire nut . Connect white house wire to the fixture . Twist wires together using wire nut .



Tape wires and wire nuts together using electrical tape.



Lining up threads on mounting plate with holes in fixture canopy, attach fixture to junction box using cap nuts. Be sure to carefully tuck wires into canopy while attaching.

(Continue with step 3 of installation on other side.)