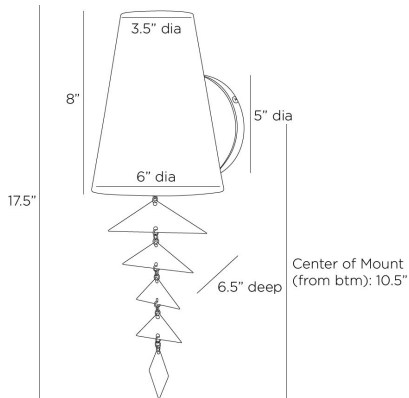


# ARTERIOS

## ELLIE SCONCE



DWI15  
 H: 17.6 IN, W: 6 IN, D: 6.5 IN  
 Burnt Bronze  
 Contract Suitable As Is

The traditional shaded sconce of burnt bronze-plated iron gets a whimsical twist with the addition of free-hanging panes. Recalling a delicate fishbone or windchime blowing in the wind, the reflective movement adds charm and intrigue wherever it is hung. Finish will vary.

### APPEARANCE

Material Iron  
 Finish Will Vary true  
 Top Coat/Sealant true

### DIMENSIONS

Center Of Mount From Btm 10.5 IN  
 Shade Top: 3.50 IN, Dia: 6.00 IN  
 Backplate Dia: 5.00 IN

### WIRING

Rating Damp  
 Suggested Bulb Type G12  
 Cord 1 FT, Clear/Silver, SVT  
 Socket 1, Type B - E12  
 Photographed Bulb 1.5" Clear Bulb  
 Maximum Watt 40  
 Voltage 110-120 V

### COMPLIANCY

RoHS true

### SHIPPING

Product Weight 2.2 LBS  
 Gross Weight 1 5 LBS  
 Shipping Box 1 H: 11.02 IN, L: 11.02 IN, W: 10.24 IN

### ADDITIONAL INFO

Hanging Orientation Vertical Only

### CONTRACT

Contract Suitable true