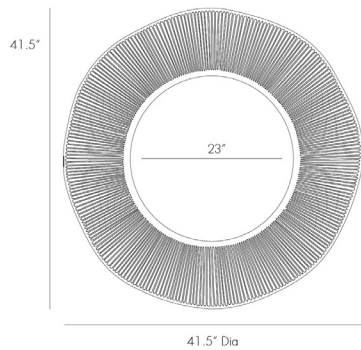


ARTERIOS

OLYMPIA MIRROR



2284
Dia: 42.00 IN, D: 3 IN
Antique Brass
Contract Suitable As Is

This softly shaped antique brass wire mirror has an elegant yet organic feel making it the perfect wall piece to hang over our Gunther Credenza (5359). The delicate undulating frame surrounds a beveled mirror. Features a security cleat attachment.

APPEARANCE

Material Iron, Mirror
Finish Plain
Top Coat/Sealant true

DIMENSIONS

Mirror Size Dia: 23.00 IN

SHIPPING

Shipping Requirements TruckShip
Product Weight 26.5 LBS
Gross Weight 1 52.5 LBS
Shipping Box 1 H: 48 IN, L: 48 IN, W: 5 IN

ADDITIONAL INFO

Features T-Screw Hardware Included
Hanger Position Vertical Only
Hanger Type Security Cleat

CONTRACT

Contract Suitable true