

SAFETY INFORMATION

Please read and understand this entire manual before attempting to assemble, install or operate the product.

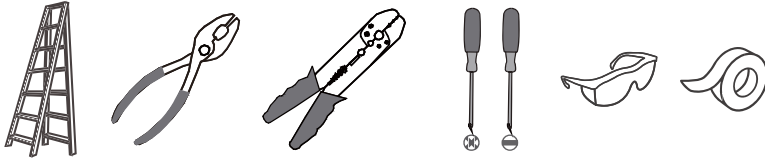
WARNING

- RISK OF ELECTRIC SHOCK - Before beginning installation, turn off electricity at the circuit breaker box or the main fuse box.

CAUTION

- For your safety, read instructions completely before beginning installation.
- If in doubt about electrical installation, consult a licensed electrician.

TOOLS REQUIRED



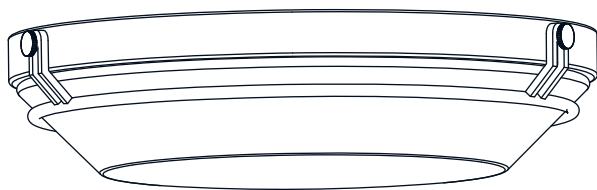
Ratings	120Vac, 60Hz	
	Model No.	Wattage
	DNB1616BN	26W
	DNB1616MBK	26W

CARE AND MAINTENANCE

- Wipe clean using soft, dry cloth or static duster. Always avoid using harsh chemicals and abrasives to clean fixture as they may damage the finish.

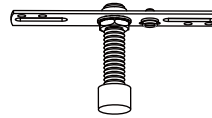
If you need further assistance call Quozel Customer Care at 1-800-645-3184 (9:00am - 5:00pm EST), or visit us on-line at www.quozel.com.

PACKAGE CONTENTS

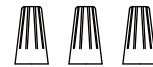


A Fixture Body
x 1

MOUNTING HARDWARE



AA Crossbar Assembly
x 1

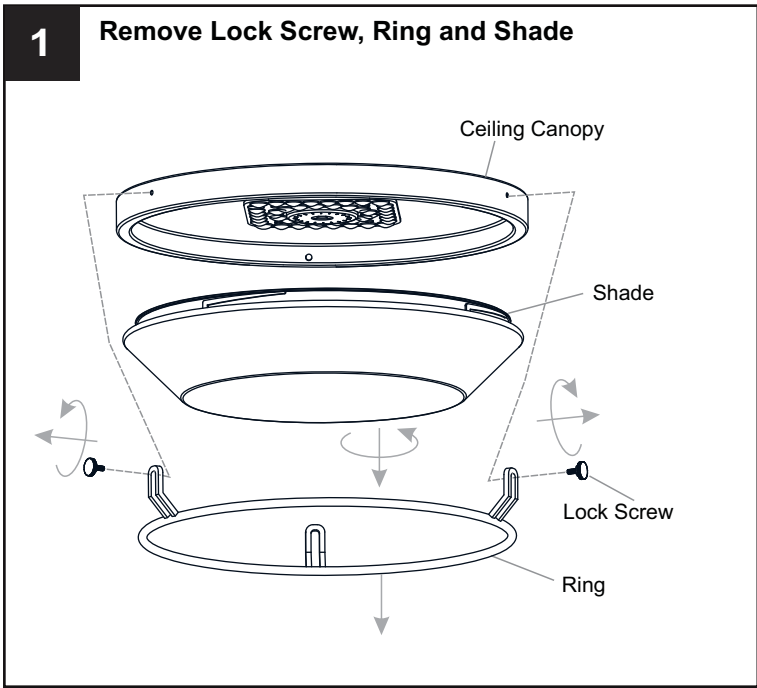


BB Wire Connector
x 3

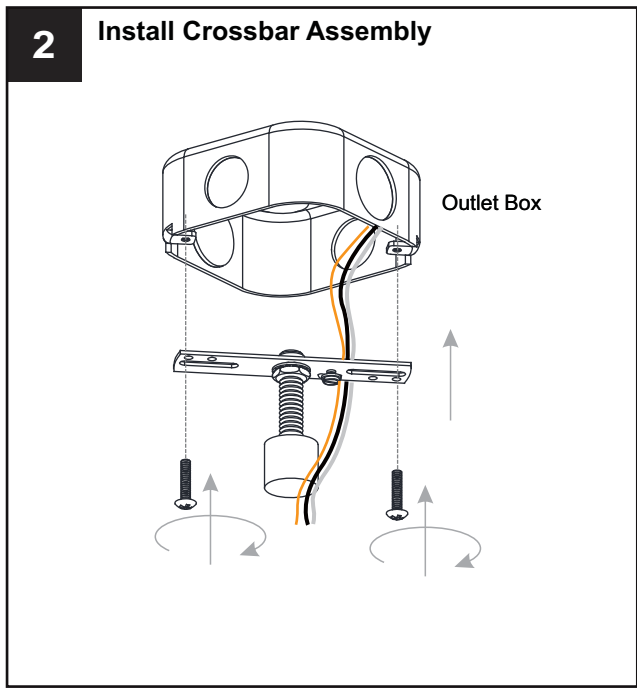


CC Outlet Box Screw
x 2

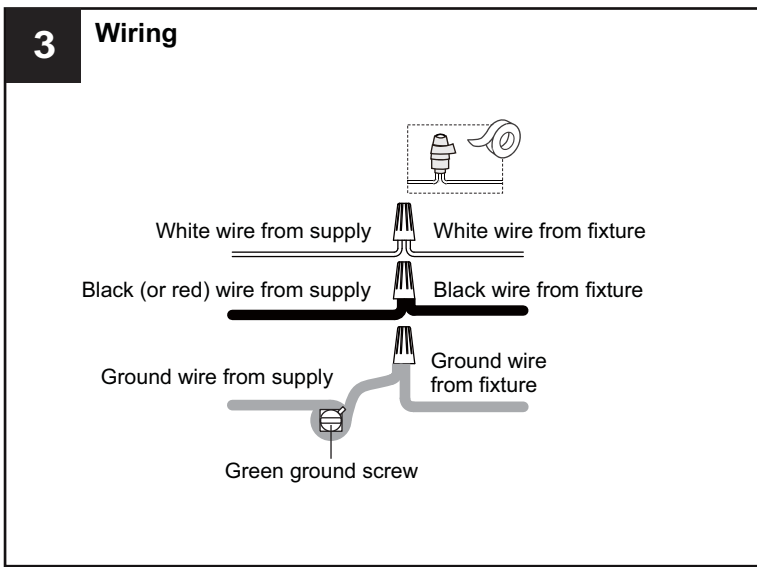
1 Remove Lock Screw, Ring and Shade



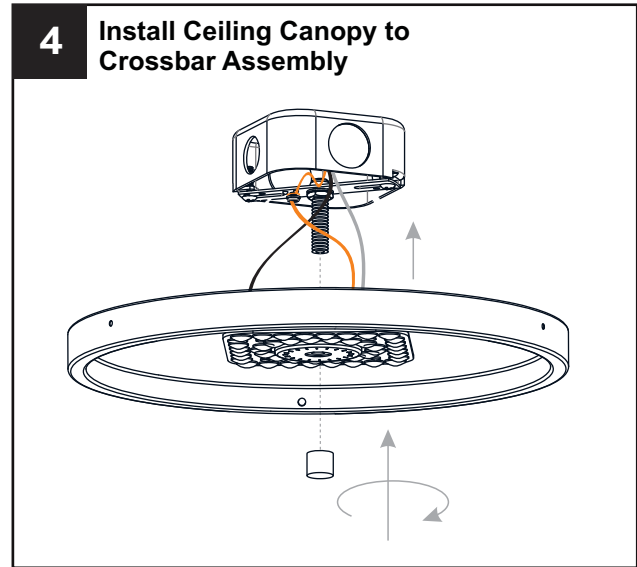
2 Install Crossbar Assembly



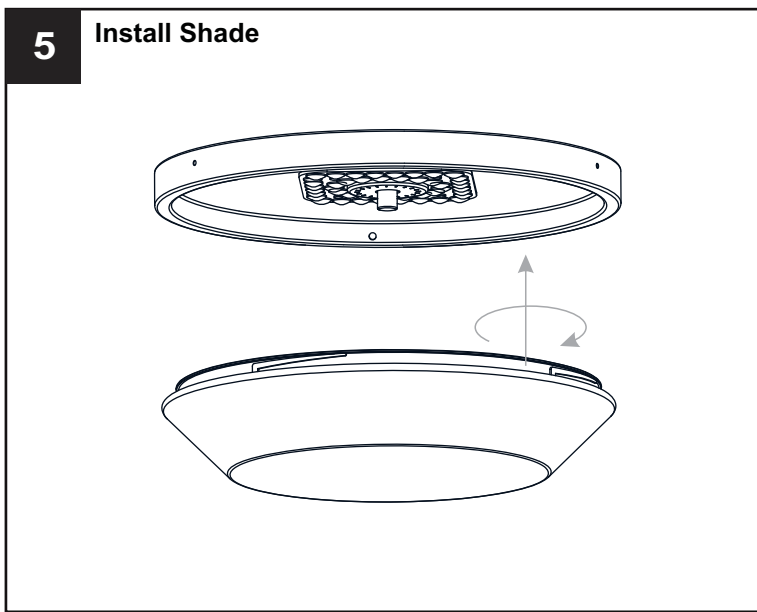
3 Wiring



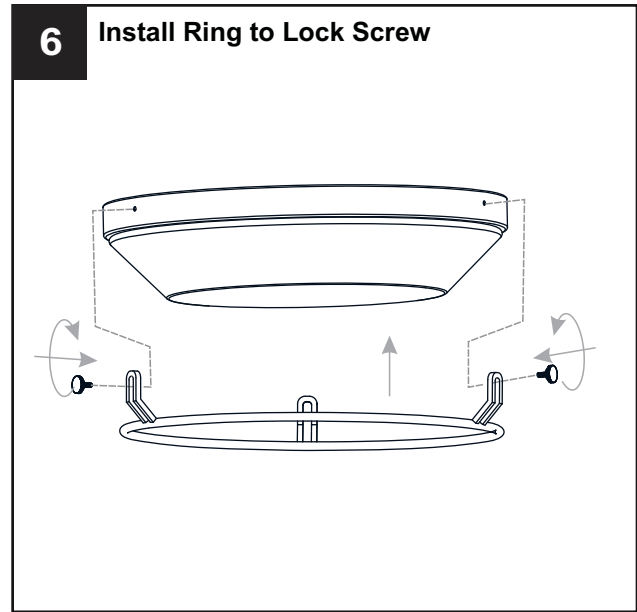
4 Install Ceiling Canopy to Crossbar Assembly



5 Install Shade



6 Install Ring to Lock Screw



Your installation is now complete! Restore electricity and save this sheet for future reference.