

IN11370AG INSTALLATION INSTRUCTIONS

Please read carefully and save these instructions, as you may need them at a later date.

CAUTION

WARNING: Risk of Fire. Consult a qualified electrician to ensure correct branch circuit conductor. Min 90°C supply conductors.

Turn off the main power at the circuit breaker before installing the fixture, in order to prevent possible shock.

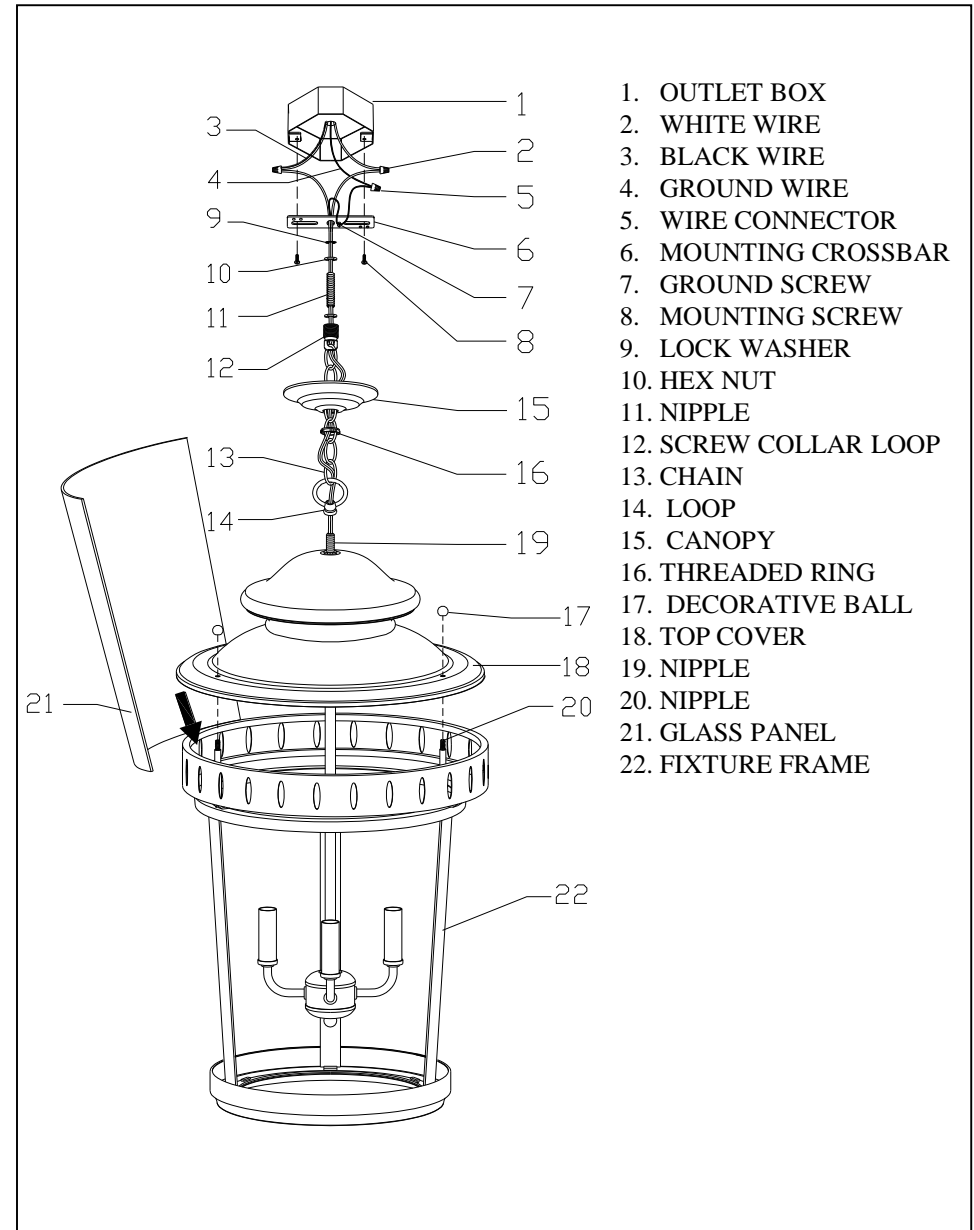
GENERAL

All electrical connections must be in accordance with local and National Electrical Code (N.E.C.) standards. If you are unfamiliar with proper electrical wiring connections obtain the services of a qualified electrician.

Remove the fixture and the mounting package from the box and make sure that no parts are missing by referencing the illustrations on the installation instructions.

ASSEMBLY AND INSTALLATION

- Loosen the decorative balls (17) from the fixture,. Take off the top cover (18) from the fixture frame (22), then secure the glass panels (21) using the clips.
- Put the top cover (18) onto the nipple (20) of the fixture frame (22), then secure using the decorative balls (17).
- Screw the loop (14) to the nipple (19) until tight.
- Attach chain (13) to screw collar loop (12) and loop (14), then close the chain (13) with pliers (not provided).
- Pull out the outlet wire and ground wire from the outlet box (1). Make wire connections (5).
--Ribbed wire (w/o marking) from light to White wire (2) from power source.
--Smooth wire (w/o marking) from light to Black wire (3) from power source.
--Loop the ground wire (4) to mounting crossbar (6) with a ground screw (7).
- Secure the mounting crossbar (6) with mounting screw (8) to the outlet box (1). Thread hex nut (10) onto nipple (11), Insert lock washer (9) and thread the nipple (11) into the mounting crossbar. Secure with the hex nut (10).
- Slide screw collar loop (12) over canopy (15), then thread screw collar loop (12) into the threaded ring (16) and screw collar loop (12) onto nipple (11). Secure threaded ring (16).
- Install bulbs: (not included)
(Do not exceed the maximum capacity recommended on the sockets).



INSTALLATION IS NOW COMPLETED