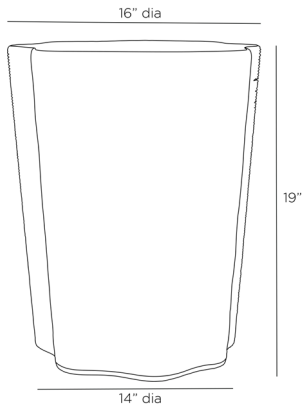


ARTERIOS

TUSCON ACCENT TABLE



FAS02

H: 19 IN, Dia: 16.00 IN

Bleached Natural

Contract Recommendations: Adding a lacquer coating provides additional protection

Our Tuscon table bestows a layer of artisanal texture to a space. The natural beauty of bleached natural abaca is on full display, used to wrap the amorphous accent piece. The organic table can also be used as a stool. Finish will vary.

APPEARANCE

Material	Abaca
Finish Will Vary	true
Top Coat/Sealant	false

DIMENSIONS

Foot Print	Dia: 14.00 IN
Diagonal Dimension	23.5 IN

SHIPPING

Product Weight	9 LBS
Gross Weight 1	13.2 LBS
Shipping Box 1	H: 16.5 IN, L: 16.5 IN, W: 20.75 IN

ADDITIONAL INFO

Features	Sustainable
Leg Or Foot Application	Glides

CONTRACT

Contract Suitable	Adding a lacquer coating provides additional protection
-------------------	---