



CAL LIGHTING

3625 E. Philadelphia St. Ontario CA. 91761 • Tel: 909.947.5200 • Fax:
909.947.5673 • www.calighting.com • service@calighting.com •
Specifications subject to change without notice

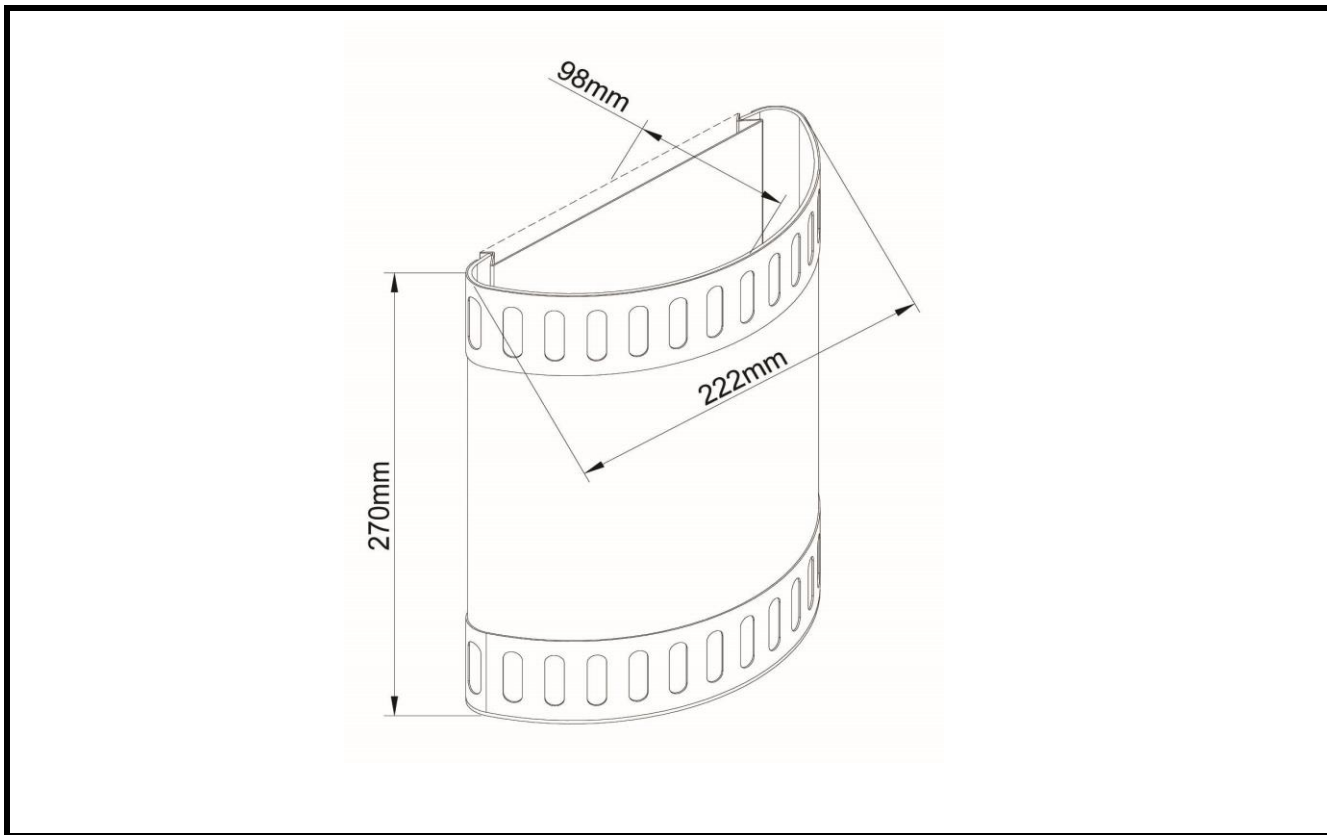
Type: _____

Project: _____

Catalog No.: _____

Lamp/Wattage: _____

Drawing:



Model No: LA-161
Description: WLL FIXTURE
Material: Acrylic+IRON
Finish : Brushed Nickel
Height: 98mm
Base Width: 222mm
Wattage : PLC18W*1
Socket : G24q-2
Shade size: 220*92*268mm
Certificate : ETL



CAL LIGHTING

3625 E. Philadelphia St. Ontario CA. 91761 • Tel: 909.947.5200 • Fax:
909.947.5673 • www.calighting.com • service@calighting.com •
Specifications subject to change without notice

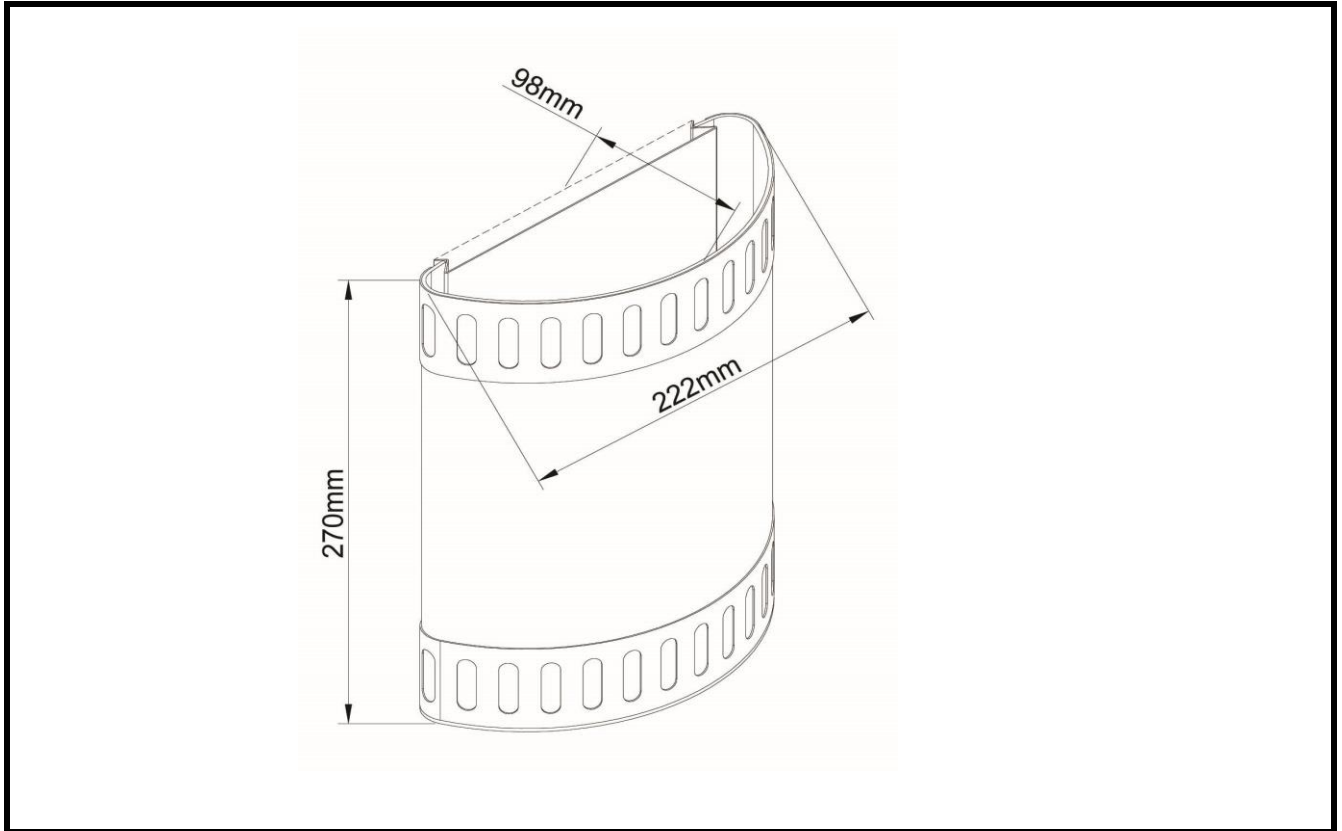
Type: _____

Project: _____

Catalog No.: _____

Lamp/Wattage: _____

Drawing:



Model No: LA-161
Description: 18W PLC wall lamp
Material: Acrylic+IRON
Finish : Rust
Height: 10 1/2"
Base Width: 9"
Depth: 3 7/8"
Wattage : PLC26W*1
Socket : G24q-3
Shade size: 10 1/2"x 9"x 3 7/8"
Certificate : ETL