

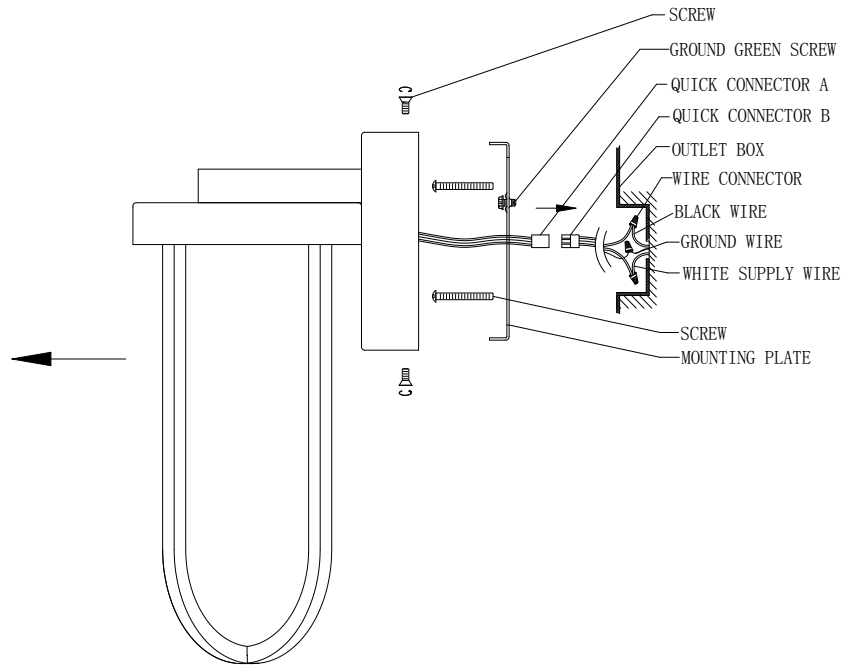
FOR YOUR SAFETY WARNING: BE SURE THE ELECTRICITY TO THE WIRES YOU ARE WORKING ON IS SHUT OFF; EITHER THE FUSE IS REMOVED OR THE CIRCUIT BREAKER IS SHUT OFF.

GENERAL You don't need special tools to install this fixture. Be sure to follow the steps in the order given. Under no circumstances should a fixture be hung on house electrical wires, nor should a swag type fixture be installed on a ceiling which contains a radiant type heating system. Read instructions carefully. If you are unclear as to how to proceed, consult a qualified electrician.

NOTE: Proper wiring is essential for the safe operation of this fixture.

ASSEMBLY INSTRUCTIONS

5005S-XX-LED & 5005M-XX-LED



READ & SAVE

INSTALLATION & OPERATION INSTRUCTIONS

TOOLS & MATERIALS REQUIRED

Screwdriver	Wire Cutters
Adjustable Wrench	Wiring Supplies

CAUTION

Prior to assembly, refer to ELECTRICAL CONNECTIONS section. If you do not have electrical wiring experience, refer to a do-it-yourself wiring handbook or have your fixture installed by a qualified licensed electrician.

GENERAL

1. Be sure to read these instructions and review the diagrams thoroughly before beginning.
2. Electrical connections must be in accordance with local codes, ordinances, or the National Electric Code. If you are unfamiliar with methods of installing electrical wiring, secure the services of a qualified licensed electrician.

3. Before starting the installation, disconnect the power by turning off the circuit breaker or by removing appropriate fuse at fuse box. Turning the power off at the light switch is not sufficient to prevent electrical shock.

PREPARE THE FIXTURE

NOTE: First turn off electricity

Detach the circular strap from the backplate and mount the circular strap to the outlet box in your wall using the two screws provided.

ELECTRICAL CONNECTIONS 120V~, 60Hz

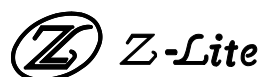
Connect white wire from Quick connector B to white neutral wire from supply circuit, Connect black wire from Quick connector B to black hot wire from supply circuit. Connect green wire to green or bare wire or grounding screw on mounting bracket from Quick connector. In all cases grounding conductor to earth must be used. Use UL/CSA Listed wire connects suitable for the size, type, and number of conductors. No loose strands or loose wires should be present. Secure wire connectors with UL/CSA Listed electrical tape. Connect the Quick connector A and B.

1. Spread electrical splices so black wires are on one side of outlet box and white wires on the other.
2. Attach the fixture to the outlet box in your wall with up and down screws . Be careful not to pinch any of the wires between the fixture and the mounting plate or outlet box.
3. Once the fixture is mounted on the wall, caulk the space between the wall and the upper area of the back plate to prevent water seeping into the outlet box. Leave the bottom area un-caulked for drainage of any water which might leak into the enclosure.
4. Installation is complete. Turn on the power at the circuit breaker or fuse box. Turn the light switch on to activate the fixture.

Note:

1. The quick connectors have been included on the fixture to allow for ease of installation when replacing your fixture in future. Simply disconnect your fixture by separating A+B and replace with new fixture connecting A+B.
2. Select your CCT color before installing: 2700K, 3000K, 3500K, 4000K, 5000K

CAUTION: LED fixtures can operate at high temperatures please use caution when touching during operation or after operation.



Recommended Dimmer list

No.	Brand	Item No.	Feature	Grade	Dimming Range
1	Lutron	DVCL-153P-WH	150W 1.25A Dimmable LED, CFL, 600W Incandescent /Halogen	Compatible	10% to 100%
2	Lutron	DVSCCL-153P-ES	150W 1.25A Dimmable LED, CFL, 600W Incandescent /Halogen	Compatible	10% to 100%
3	Lutron	DVCL-253P-WH	250W 2.0A Dimmable LED, CFL, 600W Incandescent /Halogen	Compatible	10% to 100%
4	Lutron	DVELV-300P-WH	300W Single-Pole Preset dimmer	Compatible	10% to 100%
5	Lutron	PD-6WCL, Caseta Wireless dimmer	100W 1.25A Dimmable LED, CFL, 600W Incandescent /Halogen, WIFI	Compatible	10% to 100%
6	Lutron	CTCL-153P-IV	150W 1.25A Dimmable LED, CFL, 600W Incandescent /Halogen	Compatible	10% to 100%
7	Lutron	S-600P-WH	600W Halogen/Incandescent Dimmer	Compatible	10% to 100%
8	Lutron	SELV-300P-IV	300W Preset dimmer	Compatible	10% to 100%
9	Lutron	AYCL-253P-WH	250W 2.0A Dimmable LED, CFL, 600W Incandescent /Halogen	Compatible	10% to 100%
10	Lutron	MACL-153M-WH	150W 1.25A Dimmable LED, CFL, 600W Incandescent /Halogen	Compatible	10% to 100%
11	Lutron	DVWCL-153PH-WH	150W, 1.25A White, Compact Fluorescent Light/LED Or 600W Incandescent/Halogen	Compatible	10% to 100%
12	Copper	SAL06P	300W 2.5A Dimmable LED, CFL, 600W Incandescent /Halogen	Compatible	10% to 100%
13	Leviton	DSL06-1LZ	300W 2.5A Dimmable LED, CFL, 600W Incandescent /Halogen, WIFI	Compatible	10% to 100%
14	Leviton	DW6HD	150W 1.25A Dimmable LED, CFL, 600W Incandescent /Halogen	Compatible	20% to 100%
15	Leviton	6672	150W 1.25A Dimmable LED, CFL,	Compatible	10% to 100%
16	Leviton	IPL06-10Z	150W 1.25A Dimmable LED, CFL,	Compatible	20% to 100%
17	Leviton	DSM10-1LZ	450W 3.75A Dimmable LED, CFL, 600W Incandescent /Halogen	Compatible	20% to 100%
18	Leviton	6674	150W 1.25A Dimmable LED, CFL,	Compatible	20% to 100%
19	Leviton	6633	150W 1.25A Dimmable LED, CFL, 600W Incandescent /Halogen	Compatible	10% to 100%
20	Leviton	TSL06-1LW	300W 2.5A Dimmable LED, CFL, 600W Incandescent /Halogen, WIFI	Compatible	35% to 100%
21	Leviton	6615-POW	300W 2.5A Dimmable LED, CFL,	Compatible	20% to 100%
22	Legrand	RHCL453PW	450W 3.75A Dimmable LED, CFL,	Compatible	10% to 100%
23	Legrand	ADPD453LM2	150W 1.25A Dimmable LED, CFL, 600W Incandescent /Halogen	Compatible	20% to 100%
24	EATON	TAL06P2-C2	300W 2.5A Dimmable LED, CFL, 600W Incandescent /Halogen, WIFI	Compatible	10% to 100%
25	FEIT	72309	150W 1.25A Dimmable LED, CFL, 600W Incandescent /Halogen	Compatible	10% to 100%

Minimal buzzing noise may occur with some dimmers.